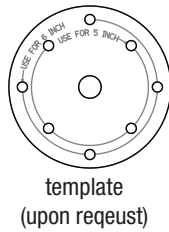


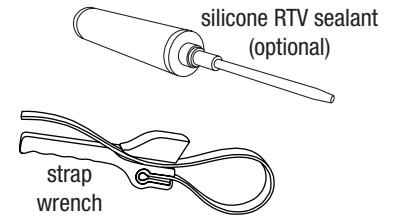
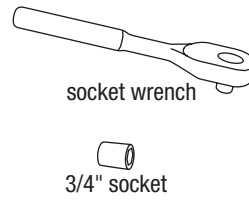
# LIGHT COLUMN PEDESTRIAN

SURFACE MOUNT INSTALLATION INSTRUCTIONS

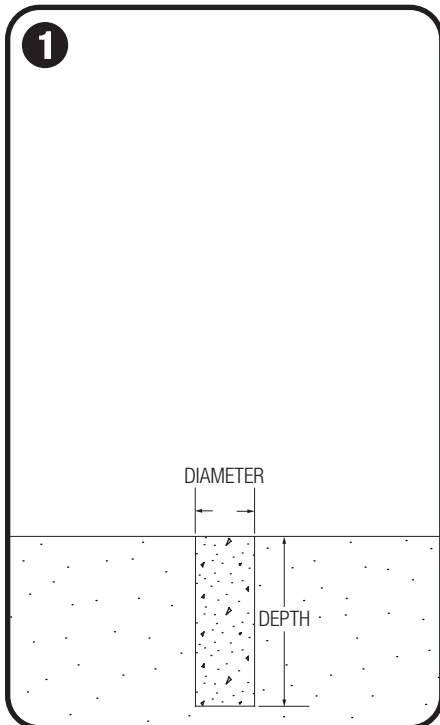
## MOUNTING KIT (SOLD SEPARATELY)



## TOOLS NEEDED

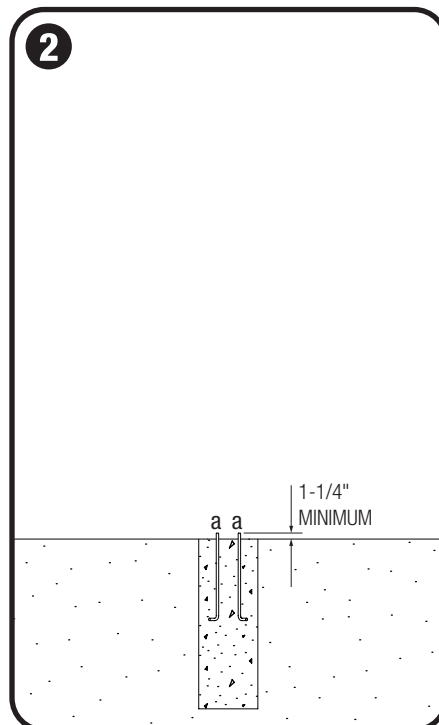


## STEP BY STEP FOR ALL LIGHT COLUMN PEDESTRIAN LIGHTING



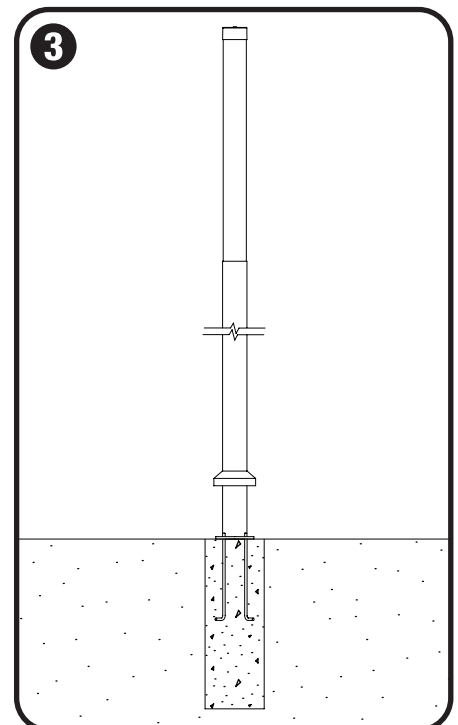
### Pour concrete footer

- Mix and pour concrete footer according to concrete manufacturer's instructions.
- A sufficient footer size depends on frost and other conditions to be determined by the installer.
- A minimum of a 12" diameter x 20" deep footer is recommended for Series 500 pedestrians; minimum of a 13" diameter x 20" deep footer is recommended for Series 600 pedestrians.



### Insert J-bolt anchors

- Insert 1/2"-13 x 18" galvanized steel J-bolt anchors (a) into concrete.
- Use template (included upon request) to position J-bolt anchors in proper locations. Tops of J-bolt anchors must be a minimum of 1-1/4" above concrete surface.
- Allow concrete to set completely, in accordance with concrete manufacturer's instructions, before moving to step 3.



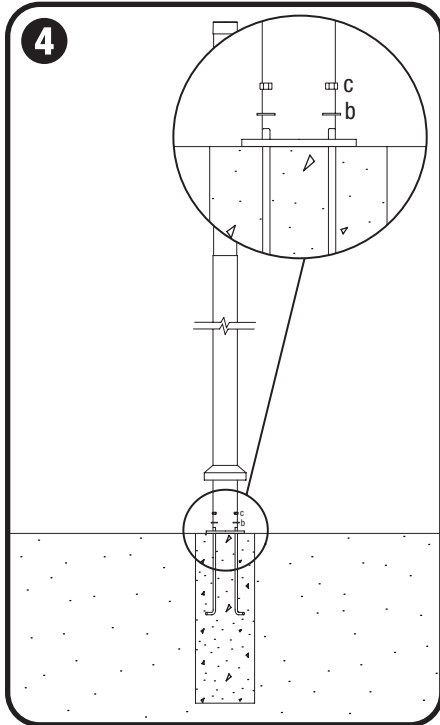
### Slide pedestrian onto J-bolt anchors

- Slide pedestrian base plate over J-bolt anchors and lower pedestrian to concrete level.
  - Carefully use masking tape to tape escutcheon cover further up the body until installation is complete.
- NOTE: Pedestrian must be supported until bolts are attached and tightened in steps 4 and 5.

# LIGHT COLUMN PEDESTRIAN

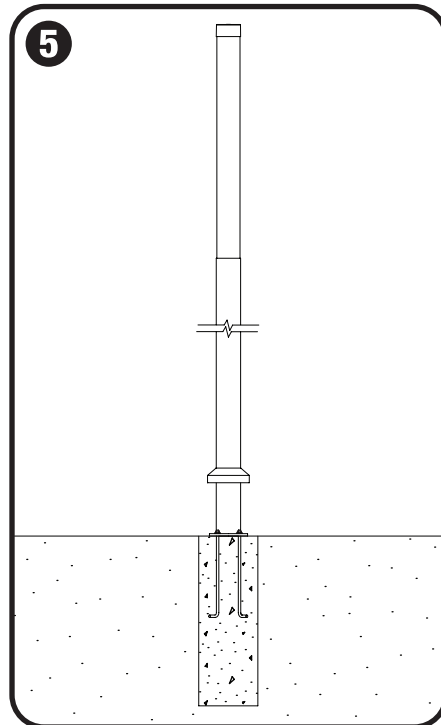
SURFACE MOUNT INSTALLATION INSTRUCTIONS

## STEP BY STEP FOR ALL LIGHT COLUMN PEDESTRIAN LIGHTING



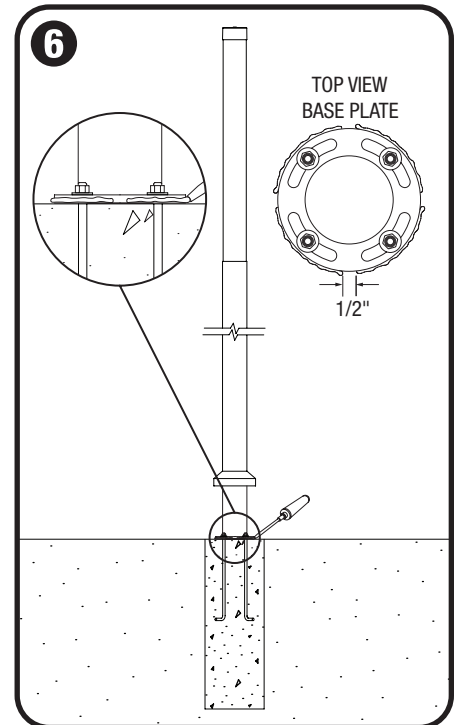
### Attach pedestrian

- Slide 1/2" washer (b), then thread 1/2"-13 nut (c) onto each J-bolt anchor.



### Tighten nuts

- Use 3/4" socket and socket wrench to tighten all nuts until snug.



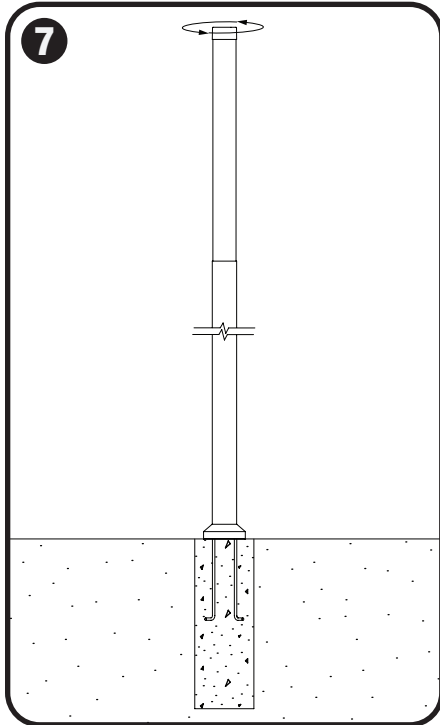
### Attach escutcheon cover (optional)

- Apply a thick bead of silicone RTV sealant around the vertical edge of the base plate.  
NOTE: Leave four 1/2" gaps to allow for water drainage.
- Lower escutcheon cover to ground level and wipe away any excess sealant.

# LIGHT COLUMN PEDESTRIAN

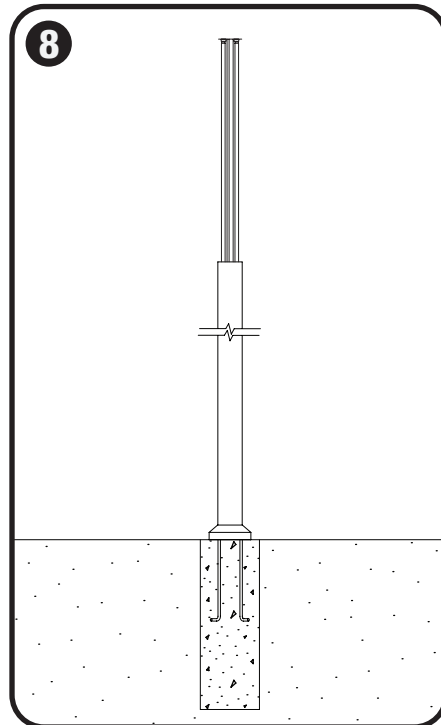
SURFACE MOUNT INSTALLATION INSTRUCTIONS

## STEP BY STEP FOR ALL LIGHT COLUMN PEDESTRIAN LIGHTING



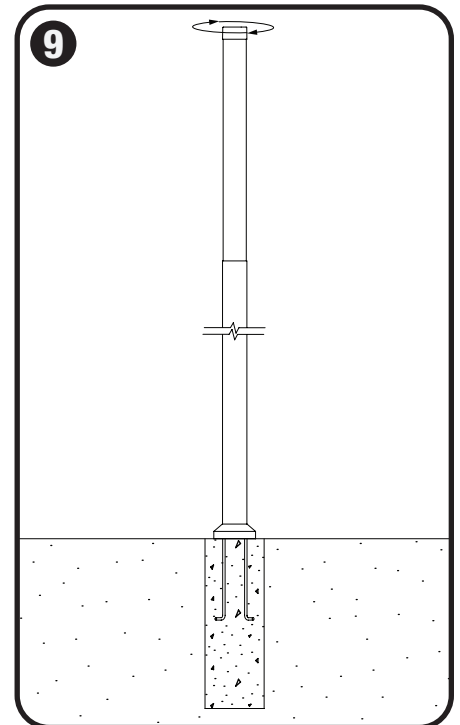
### Remove top cap and lens

- Use strap wrench to unscrew stainless steel top cap by turning counterclockwise.
- Remove top cap and lens.



### Insert lamps

- Insert or replace lamps.



### Replace lens and top cap

- Replace lens.
- Place stainless steel top cap on top of pedestrian and twist clockwise. Tighten with strap wrench.