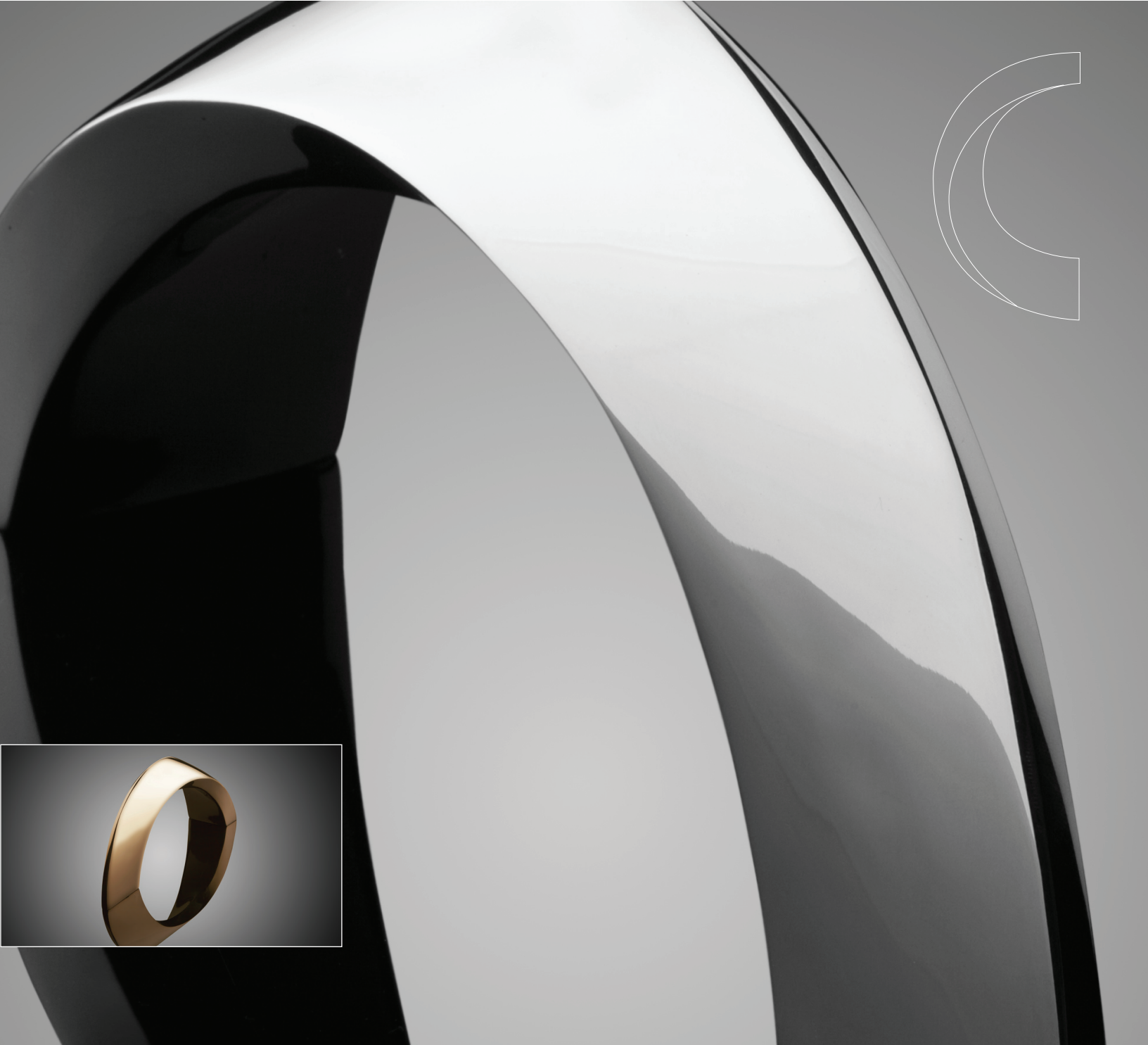




LYRA™ DOOR PULLS / HDLYR SERIES

PRODUCT DATA





LYRA™ DOOR PULLS / HDLYR SERIES

PRODUCT DATA

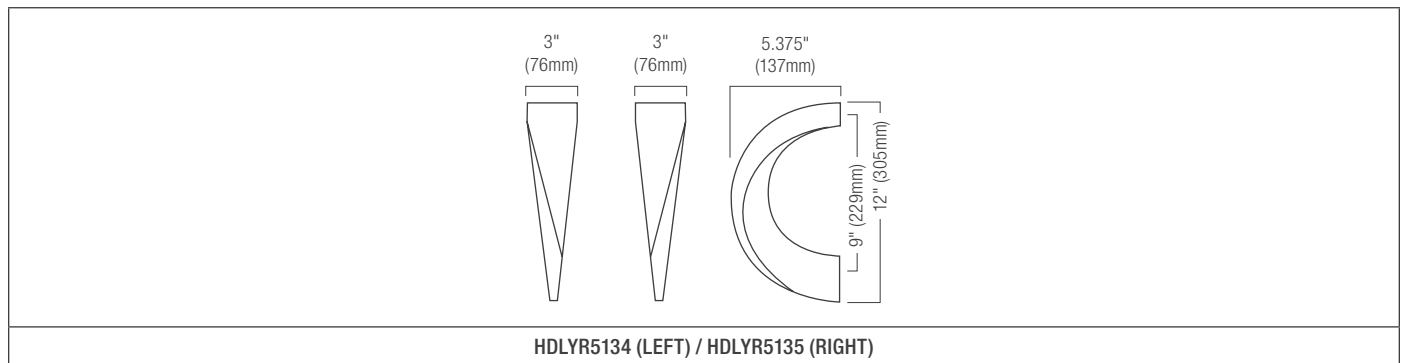
Lyra Door Pulls make a graceful yet dramatic transition from horizontal to vertical profiles. Solid cast in your choice of stainless steel, bronze or brass, Lyra pulls are accentuated by a beautiful selection of finishes.

PRODUCT DETAILS

The following applies to all Lyra Door Pull designs shown below.

MATERIAL & FINISH			MAINTENANCE
Stainless Steel	US32	Polished Stainless Steel	Lyra Door Pulls are well-suited for interior or exterior use. Regular maintenance will help ensure the lasting beauty of each pull. For more information, please refer to the Door Hardware Care & Maintenance document found on our website.
	US32D	Satin Stainless Steel	
	SSS	Stippled Stainless Steel	
Bronze	US10	Satin Bronze	
Brass	US4	Satin Brass	

DESIGN OPTIONS



MOUNTING OPTIONS

Lyra Door Pulls are installed using Mounting System "C" as shown below. To ensure a secure installation, a thread-locking adhesive such as Loctite® is recommended. For more information, refer to the Door Pull Installation Manual on our website.

MOUNTING SYSTEM "C"

C1	C2	C3*	C4	C5
Single mount	Concealed single mount	Concealed single mount	Back-to-back mount	Back-to-back mount
Solid wood core or hollow metal door with through bolt.	Hollow metal door with shoulder bolt and customer's reinforcement.	Solid wood core door with shoulder bolt and threaded insert.	Solid wood core or hollow metal door with shoulder bolt.	Tempered glass door with shoulder bolt.

*Forms+Surfaces offers but does not recommend concealed mounting on wood doors. Frequent or heavy use can compromise the integrity of this mounting.

HOW TO SPECIFY

Provide model number, quantity, metal and finish, mounting option, and door material and thickness. Refer to the standalone Door Hardware Price List on our website for list pricing.