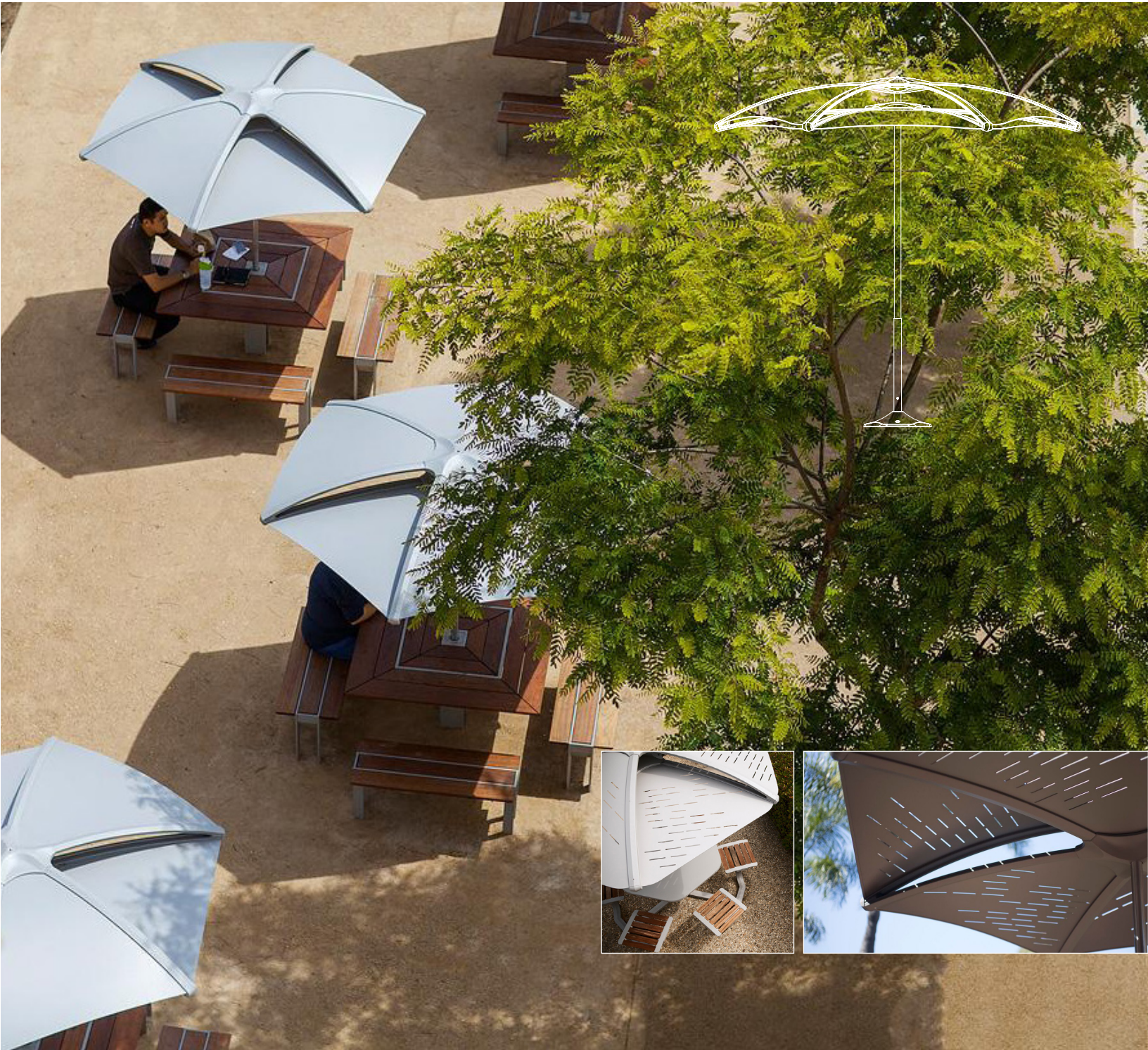




**SOLERIS™ SUNSHADE**

PRODUCT DATA







# SOLERIS™ SUNSHADE

PRODUCT DATA

The **Soleris Sunshade** offers a fresh interpretation of a classic functional form. Designed for year-round use, this versatile, durable umbrella features open-air construction, a fixed stainless steel pole, and shade panels in powdercoated aluminum with optional perforation pattern.

## MATERIAL & CONSTRUCTION DETAILS

## INSTALLATION & MAINTENANCE

CONFIGURATIONS	SHADE PANELS	INSTALLATION
<p>The Soleris Sunshade was designed for use in multiple types of applications, including:</p> <ul style="list-style-type: none"> <li>• Standalone use.</li> <li>• Standalone use with optional table top. Table tops are stainless steel with Sandstone, Satin or Diamond finish. See page 2 for examples; see page 4 for size options.</li> <li>• With our Apex, Knight, Tangent, Trio and Vector Table Ensembles (refer to individual product pages on our website).</li> <li>• Please contact us to discuss your project's specific needs.</li> </ul>	<ul style="list-style-type: none"> <li>• Shade panels are available with or without the Slat perforation pattern. See page 3 for details.</li> <li>• Shade panels used with Apex or Knight Table Ensembles or with square table tops will have straight edges. See technical drawings for details.</li> <li>• Aluminum panels have a powdercoat finish that can be specified independently of the frame color. See the Forms+Surfaces Powdercoat Chart for details. Custom RAL colors are available for an upcharge.</li> </ul>	<ul style="list-style-type: none"> <li>• Soleris Sunshades must be surface mounted using the supplied base plate.</li> <li>• When using the Soleris Sunshade with a Forms+Surfaces Table Ensemble, both the table and the Soleris Sunshade must be surface mounted.</li> <li>• Stainless steel anchors and mounting bolts are sold separately.</li> <li>• The sunshade and mounting pole ship as separate components and are easily assembled.</li> <li>• Designed to be left up year round.</li> </ul>
CONSTRUCTION	FRAME & MOUNTING ASSEMBLY FINISHES	MAINTENANCE
<ul style="list-style-type: none"> <li>• Frame consists of corrosion-resistant aluminum with a durable powdercoat finish. See the Forms+Surfaces Powdercoat Chart for details. Custom RAL colors are available for an upcharge.</li> <li>• All frame connection points are welded and mechanically fastened for maximum durability.</li> <li>• Shade panels are made from 0.06" (1.5mm) aluminum.</li> <li>• 1.75" (44.5mm) diameter stainless steel mounting pole.</li> <li>• Fixed pole and panels; no raising or lowering required.</li> <li>• Mounting assembly includes a stainless steel base plate with 2.0" (50.8mm) diameter stainless steel sleeve to accept mounting pole; standalone model also includes a cast aluminum escutcheon.</li> </ul>	<ul style="list-style-type: none"> <li>• Aluminum frame has a durable powdercoat finish. See the Forms+Surfaces Powdercoat Chart for details. Custom RAL colors are available for an upcharge.</li> <li>• Mounting assembly is powdercoated to match the Soleris Sunshade frame. For standalone models, cast aluminum escutcheon is also powdercoated to match the frame.</li> <li>• When used with Forms+Surfaces Table Ensemble Soleris Sunshade baseplate and sleeve will be powdercoated to match table frame.</li> <li>• Stainless steel mounting pole has a Satin finish.</li> </ul>	<ul style="list-style-type: none"> <li>• Metal surfaces can be cleaned as needed using a soft cloth or brush with warm water and a mild detergent. Avoid abrasive cleaners.</li> <li>• In the event of high winds, we recommend taking down the Soleris Sunshade to prevent damage.</li> </ul>

## STRUCTURAL INTEGRITY

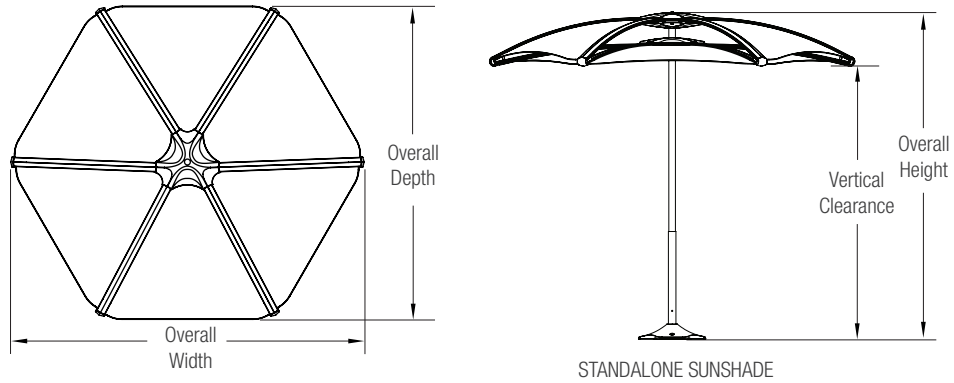
WIND & SNOW LOAD INFORMATION
<ul style="list-style-type: none"> <li>• The Soleris Sunshade has been evaluated to the requirements of the International Building Code, 2015 edition, and ASCE 7 - 10.</li> <li>• The Mounting system is able to adequately withstand the lateral force produced by an ultimate wind speed of 101.5 MPH (78.6 MPH nominal speed).</li> <li>• Each individual Soleris Sunshade panel is capable of withstanding the uplift force produced by an ultimate wind speed of 143 MPH (110.8 MPH nominal).</li> <li>• Soleris Sunshade panels are capable of supporting a snow depth of approximately 16.5"; the difference in snow depth across sunshade should not exceed 7".</li> <li>• Certified structural calculations are available upon request.</li> </ul>



# SOLERIS™ SUNSHADE

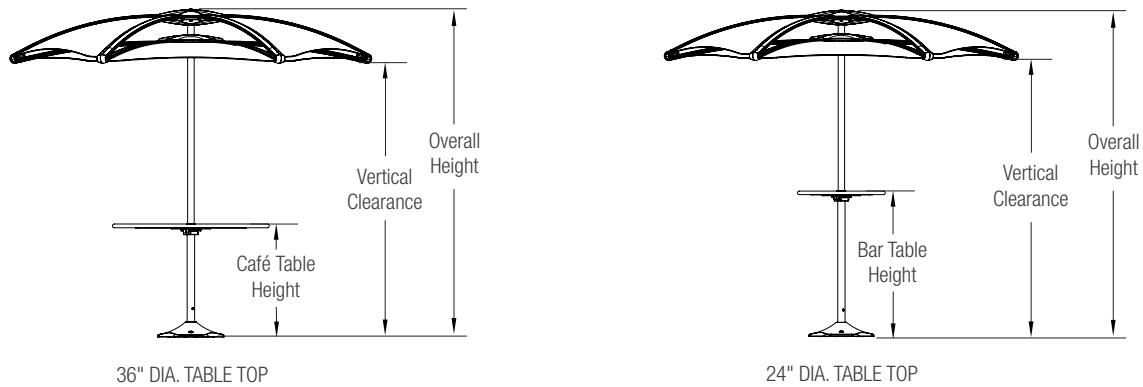
PRODUCT DATA

## NOMINAL DIMENSIONS: STANDALONE



MODEL	OVERALL WIDTH	OVERALL DEPTH	OVERALL HEIGHT	VERTICAL CLEARANCE	OVERALL WEIGHT
SUSOL-APS	96.9" (2461 mm)	83.0" (2108 mm) - 86.0" (2184 mm)	94.4" (2398 mm)	80.0" (2032 mm)	181 lbs (82 kg)

## NOMINAL DIMENSIONS: STANDALONE WITH OPTIONAL TABLE TOP



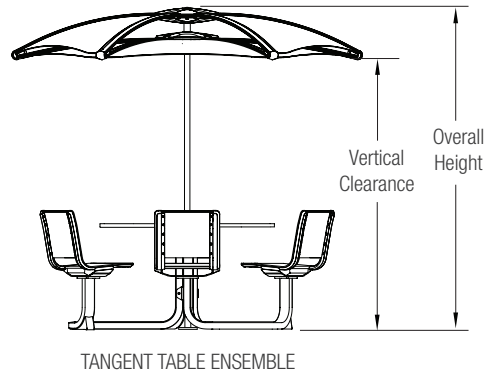
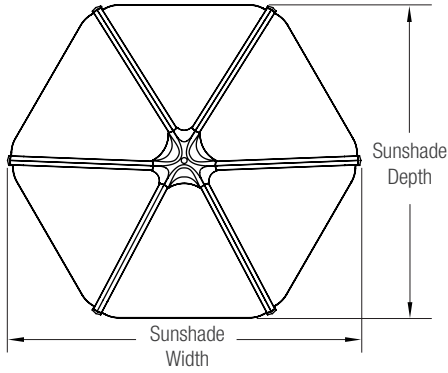
MODEL	CAFÉ TABLE HEIGHT	BAR HEIGHT TABLE	OVERALL HEIGHT	VERTICAL CLEARANCE	OVERALL WEIGHT
SUSOL-APT	29.9" (759 mm)	41.25" (1047.75 mm)	94.4" (2398 mm)	80.0" (2032 mm)	varies per table top selection



**SOLERIS™** SUNSHADE

PRODUCT DATA

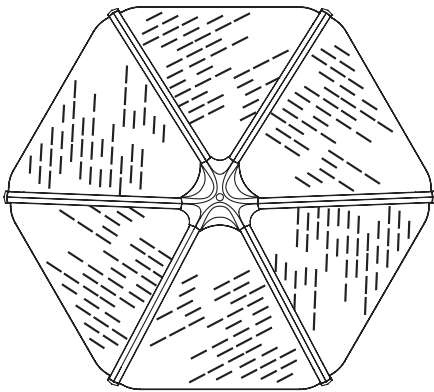
**NOMINAL DIMENSIONS: WITH F+S TABLE ENSEMBLE**



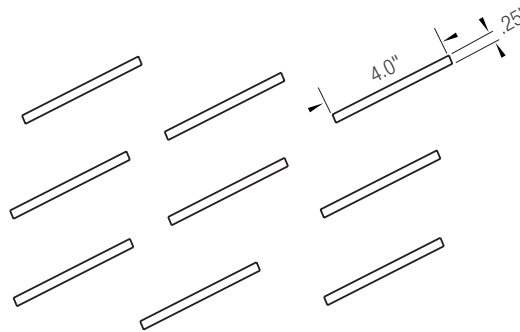
TANGENT TABLE ENSEMBLE

MODEL	SUNSHADE WIDTH	SUNSHADE DEPTH	OVERALL HEIGHT	VERTICAL CLEARANCE	OVERALL WEIGHT
SUSOL-APT	96.9" (2461 mm)	83.0" (2108 mm) - 86.0" (2184 mm)	94.4" (2398 mm)	80.0" (2032 mm)	326 - 562 lbs (164 - 255 kgs)

**OPTIONAL SHADE PANEL PERFORATION PATTERN**



SLAT PERFORATION



PERFORATION DETAIL



## SOLERIS™ SUNSHADE

PRODUCT DATA

### ENVIRONMENTAL CONSIDERATIONS

- Please refer to the Soleris Sunshade Environmental Data Sheets for detailed environmental impact information.
- Metal components have a long life cycle and are 100% recyclable.
- Standard powdercoat finishes are no-VOC; non-standard powdercoat finishes are no- or low-VOC, depending on color.
- Low maintenance; easy to disassemble.

### MODEL NUMBERS AND DESCRIPTIONS

MODEL	DESCRIPTION
SUSOL-APS	Soleris Sunshade, aluminum panels, surface mount; standalone or for use with optional table tops
SUSOL-APT	Soleris Sunshade, aluminum panels, surface mount; for use with Forms+Surfaces Table Ensembles

### PRODUCT OPTIONS

The following options are available for an upcharge

OPTIONAL TABLE TOPS	SOLERIS SUNSHADE
24" diameter table top	Stainless steel anchors and mounting bolts
30" diameter table top	Optional shade panel perforation pattern
36" diameter table top	Powdercoat color from F+S powdercoat chart
42" diameter table top	Custom RAL powdercoat color (shade panels and/or frame)
36 x 36" square table top	Custom RAL powdercoat color (frame)
Concentric 1/4" round perforations for table tops	
Powdercoat color from F+S powdercoat chart	
Custom RAL powdercoat color	

**LEAD TIME:** 6 to 8 weeks. Shorter lead times may be available upon request. Please contact us to discuss your specific timing requirements.

**PRICING:** Please contact us at **800.451.0410** or **sales@forms-surfaces.com**. At Forms+Surfaces, we design, manufacture and sell our products directly to you. Our sales team is available to assist you with questions about our products, requests for quotes, and orders. Territory Managers are located worldwide to assist with the front-end specification and quoting process, and our in-house Project Sales Coordinators follow your project through from the time you place an order to shipment.

**TO ORDER SPECIFY:** Quantity, application, powdercoat color(s), and aluminum panel perforation pattern. Quote/Order Forms are available on our website to lead you through the specification process in a simple checkbox format.