

PROJECT NAME: \_\_\_\_\_

DATE: \_\_\_\_\_

JOB LOCATION: \_\_\_\_\_

COMPANY: \_\_\_\_\_

SPECIFIER: \_\_\_\_\_

PLEASE USE ADOBE READER OR ADOBE ACROBAT TO FILL OUT AND SAVE FORM. USING OTHER PROGRAMS COULD RESULT IN UNSAVED DATA.

**MODEL**

**QUANTITY**

**MODEL**

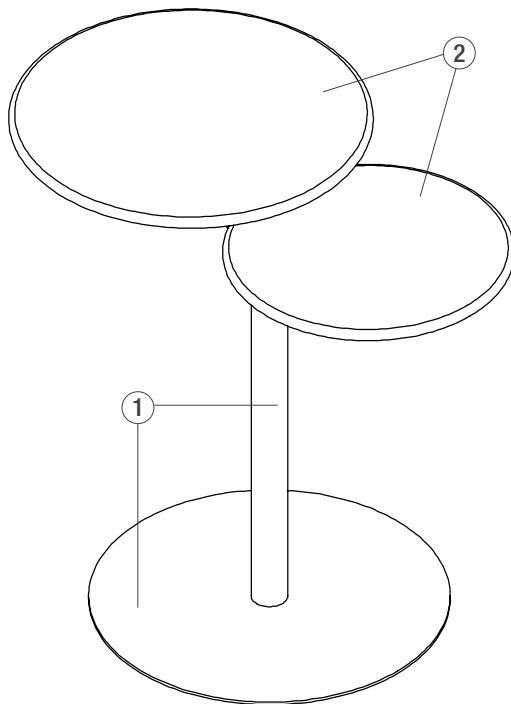
\_\_\_\_\_  
\_\_\_\_\_

SPBIS-30S  
SPBIS-30P

Bistro Table, 30" diameter stainless steel base with Satin finish  
Bistro Table, 30" diameter stainless steel base with powdercoat finish

**OPTIONS**

**BISTRO TABLE**



**① Column and Base Finish Options**

Please select **one** option below and write in powdercoat color if applicable.

Stainless Steel Finish

Satin

Powdercoat Color Options

Standard Texture from F+S Powdercoat Color Chart

\_\_\_\_\_

Custom RAL Powdercoat Color (subject to upcharge)

\_\_\_\_\_

**② Table Top Finish Options**

Please select **one** option below and write in powdercoat color if applicable.

Stainless Steel Finishes

Sandstone

Diamond

Satin

Powdercoat Color Options

Standard Texture from F+S Powdercoat Color Chart

\_\_\_\_\_

Custom RAL Powdercoat Color (subject to upcharge)

\_\_\_\_\_

**Table Top Concentric Perforations**

Concentric perforations  Yes  No  
*(subject to upcharge)*

**Umbrella Stand**

Umbrella Stand  Yes  No  
*(subject to upcharge)*

**Mounting Options**

- Freestanding
- Surface Mount\*
  - Add F+S stainless steel mounting hardware kit\*
  - Do not include F+S mounting kit

*\*Hardware is required for surface mount tables. Mounting kits can be purchased from F+S for an additional charge.*

**NOTES**

---

---

---

Please send completed forms to [sales@forms-surfaces.com](mailto:sales@forms-surfaces.com) or contact us at **800.451.0410** with any questions.