

PROJECT NAME: _____

DATE: _____

JOB LOCATION: _____

COMPANY: _____

SPECIFIER: _____

PLEASE USE ADOBE READER OR ADOBE ACROBAT TO FILL OUT AND SAVE FORM. USING OTHER PROGRAMS COULD RESULT IN UNSAVED DATA.

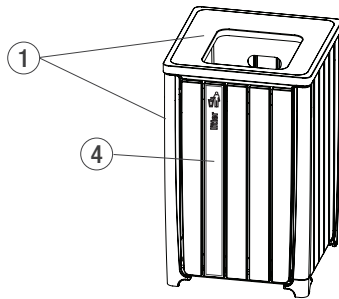
MODEL

QUANTITY	MODEL	
_____	SLCOR-136C	Cordia Receptacle, 36-gallon, single-stream, FSC® 100% Cumaru hardwood
_____	SLCOR-136A	Cordia Receptacle, 36-gallon, single-stream, aluminum
_____	SLCOR-218C	Cordia Receptacle, 36-gallon, split-stream, FSC® 100% Cumaru hardwood
_____	SLCOR-218A	Cordia Receptacle, 36-gallon, split-stream, aluminum

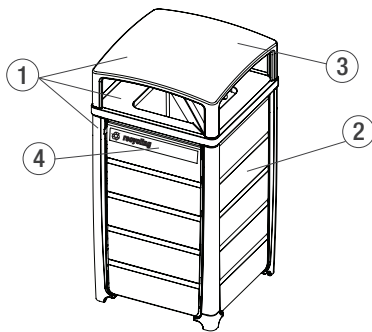
FSC License Code: FSC-C004453

OPTIONS

**CORDIA RECEPTACLE,
SINGLE-STREAM; WOOD INSET**



**CORDIA RECEPTACLE, SPLIT-STREAM WITH RAIN
COVER; ALUMINUM INSET**



Powdercoat Color Options

Please select **one** option below and write in specified color.

① Lid & Body Powdercoat Finish

Standard Texture from F+S Powdercoat Color Chart

Custom RAL Powdercoat Color *(subject to upcharge)*

② Aluminum Inset Powdercoat Finish (SLCOR-136A/218A)

Standard Texture from F+S Powdercoat Color Chart

Custom RAL Powdercoat Color *(subject to upcharge)*

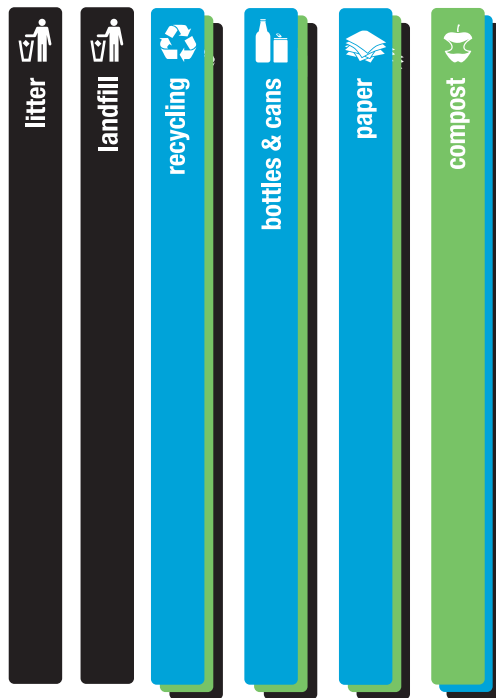
③ Rain Cover *(subject to upcharge)*

Yes

No

GRAPHIC EXAMPLES

Graphic Examples: Wood Insets



Graphic Examples: Aluminum Insets



4 Graphic Message & Background Color Options

Please select a message and color for Graphic A for single-stream models, or both Graphic A and B for split-stream models. **NOTE:** All letters and symbols are white; specified color is for the graphic's background.

Graphic A message

- no graphic
- litter*
- landfill*
- recycling
- bottles & cans
- paper
- compost

Graphic A background color

- black
- blue
- green

*Note: Litter and Landfill graphics are only available with black background color.

Graphic B message

- no graphic
- litter*
- landfill*
- recycling
- bottles & cans
- paper
- compost

Graphic B background color

- black
- blue
- green

*Note: Litter and Landfill graphics are only available with black background color.

Latch Options

- Standard lift latch
- Tool-operated security latch

Mounting Options

- Freestanding
- Surface Mount*
 - Add F+S stainless steel mounting hardware kit*
 - Do not include F+S mounting hardware kit

*Hardware is required for surface mount litter receptacles. Mounting kits can be purchased from F+S for an additional charge.

NOTES

Please send completed forms to sales@forms-surfaces.com or contact us at **800.451.0410** with any questions.