

PROJECT NAME: _____

DATE: _____

JOB LOCATION: _____

COMPANY: _____

SPECIFIER: _____

PLEASE USE ADOBE READER OR ADOBE ACROBAT TO FILL OUT AND SAVE FORM. USING OTHER PROGRAMS COULD RESULT IN UNSAVED DATA.

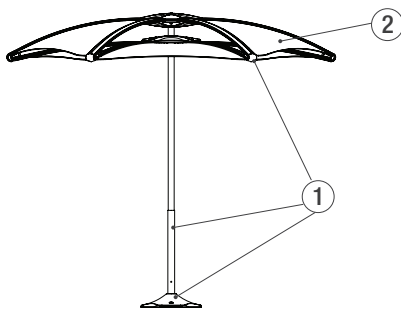
MODEL

QUANTITY

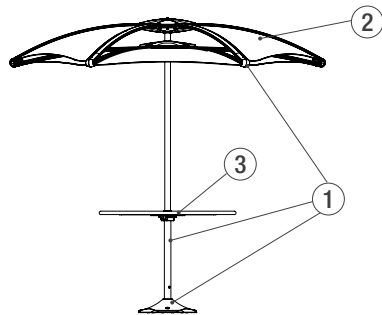
MODEL

_____	SUSOL-APS	Soleris Sunshade, aluminum panels, standalone or for use with optional table top
_____	SUSOL-APT	Soleris Sunshade, aluminum panels, surface mount for use with Forms+Surfaces table ensembles

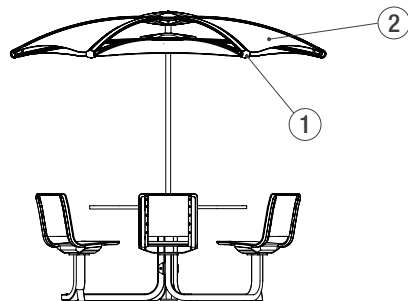
OPTIONS



Standalone Sunshade



Standalone Sunshade with Optional Table Top



Sunshade with Table Ensemble

CONFIGURATIONS

Please select **one** option below.

Standalone (SUSOL- APS)

- 94.4" Sunshade

Standalone with Table Top Options (SUSOL- APS)

- 24" diameter, café table height
- 36" diameter, café table height
- 42" diameter, café table height
- 36" x 36" square, café table height
- 24" diameter, bar table height
- 30" diameter, bar table height

F+S Table Ensemble Options (SUSOL- APT)

- Apex Table Ensemble
- Knight Table Ensemble
- Tangent Table Ensemble, 4-seat
- Tangent Table Ensemble, 6-seat
- Trio Table Ensemble
- Vector Table Ensemble

Other

- Please specify: _____

Powdercoat Color Options

Please select **one** option below and write in powdercoat color if applicable.

① Frame & Mounting Assembly

- Standard Texture from F+S Powdercoat Chart

- Custom RAL Powdercoat Color (subject to upcharge)

② Shade Panel

- Standard Texture from F+S Powdercoat Chart

- Custom RAL Powdercoat Color (subject to upcharge)

③ Table Top Finish Options

Please select **one** option below and write in powdercoat color if applicable.

Stainless Steel Finishes

- Sandstone
- Diamond
- Satin

Powdercoat Color Options

- Standard Texture from F+S Powdercoat Chart

- Custom RAL Powdercoat Color (subject to upcharge)

Optional Table Top Concentric Perforation Options

For optional table tops only. Please select **one** option below.

- Yes (subject to upcharge)
- No Perforation

Optional Shade Panel Perforation Pattern

Please select **one** option below.

- Slat Perforation
- No Perforation

Surface Mount Hardware Options

- Add F+S stainless steel mounting hardware kit*
- Do not include F+S mounting hardware kit

*Hardware is required for all sunshades. Mounting kits can be purchased from F+S for an additional charge.

NOTES
