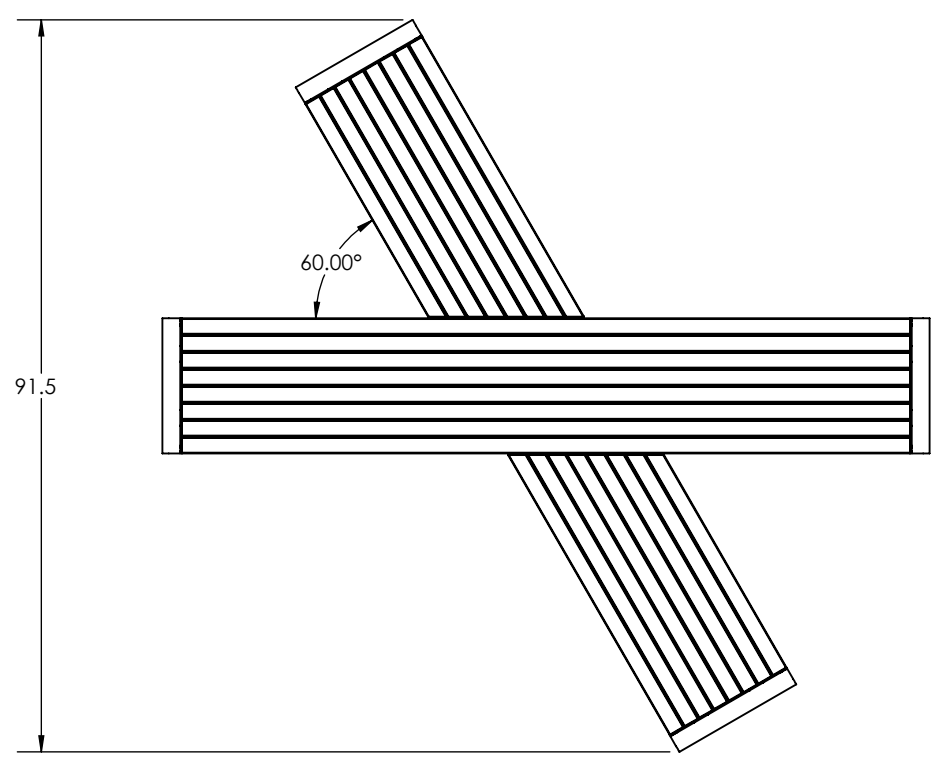
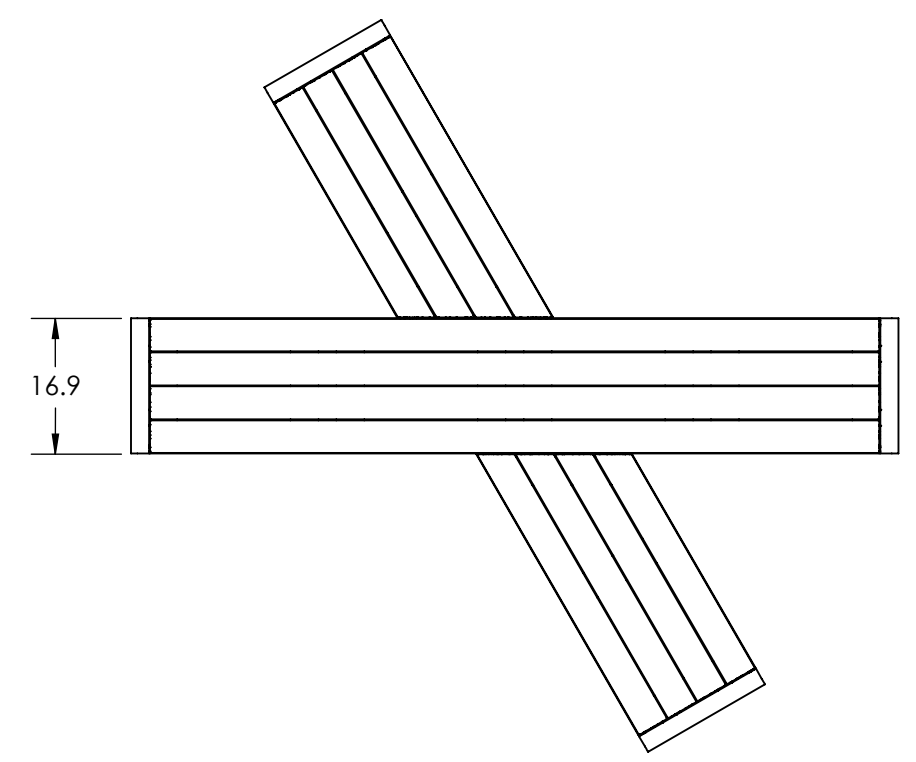


8 7 6 5 4 3 2 1

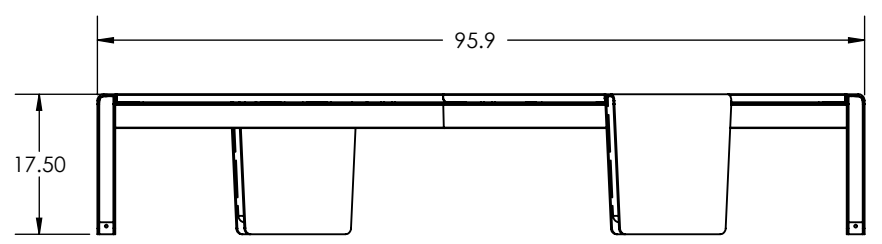
D  
C  
B  
A



TOP VIEW - WOOD SLAT



TOP VIEW - ALUMINUM SLAT



FRONT VIEW

CUSTOMER APPROVAL:

X \_\_\_\_\_

DATE:

X \_\_\_\_\_

UNLESS OTHERWISE SPECIFIED,  
DIMENSIONS ARE IN INCHES  
TOLERANCES (UNLESS OTHERWISE  
SPECIFIED):  
FRACTIONAL: ±1/32  
ANGULAR/BEND: ±1°  
TWO PLACE DECIMAL ±.030  
THREE PLACE DECIMAL ±.020  
MATERIAL: SEE DATA SHEET  
FINISH: SEE DATA SHEET  
WEIGHT: 210.68 LBS.  
SOURCE: -  
SCALE: N.T.S.

**FORMS+SURFACES**® 30 Pine Street, Pittsburgh, PA 15223  
Tel (412) 781-9003 Fax (412) 781-7840

NAME	DATE
DWN MGJ	11/06/2014
DO NOT SCALE DRAWING	
PROPRIETARY AND CONFIDENTIAL	
THE INFORMATION CONTAINED IN THIS DRAWING IS THE SOLE PROPERTY OF FORMS + SURFACES. ANY REPRODUCTION IN PART OR AS A WHOLE WITHOUT WRITTEN PERMISSION IS PROHIBITED.	

VECTOR SEATING SYSTEM  
OBLIQUE BENCH, FOUR END LEGS  
SBVTR-196A-2E-2120AA-1E  
SBVTR-196C-2E-2120AC-1E

SIZE	DWG. NO.	REV	SHEET
B	SBVTR-196-2E-2120A-1E	0	1 OF 1

8 7 6 5 4 3 2 1

D  
C  
B  
A

PRINTED: 11/06/2014