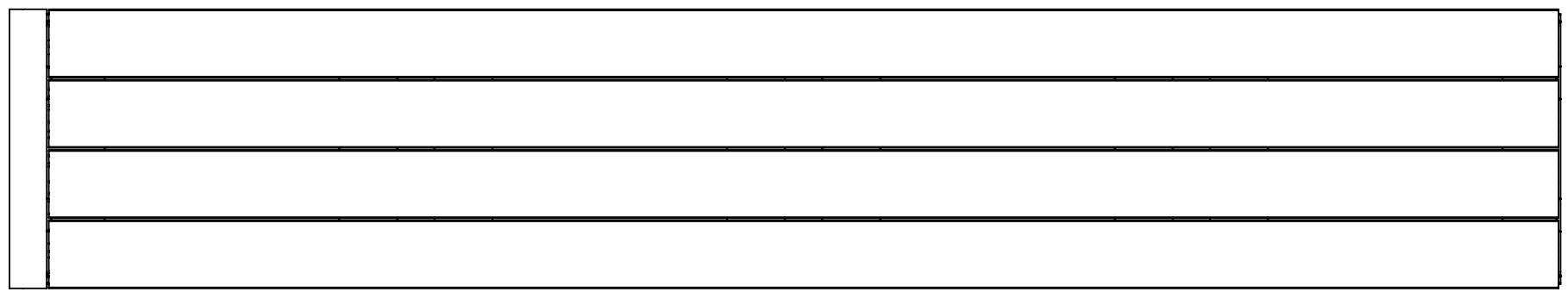


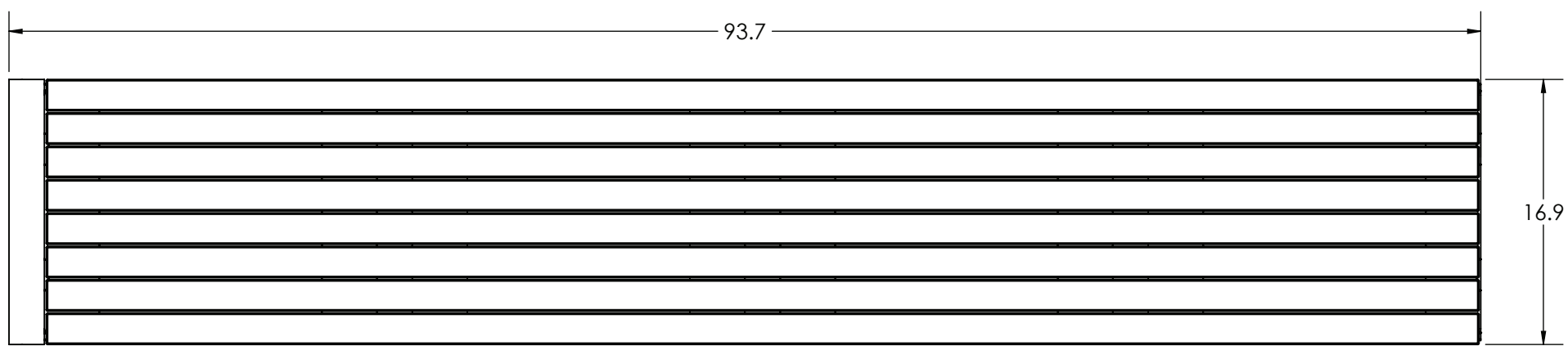
8 7 6 5 4 3 2 1

D

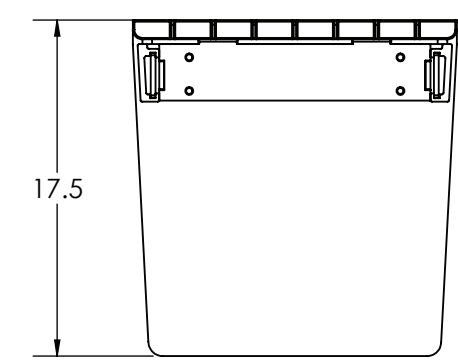


TOP VIEW - ALUMINUM SLAT

C



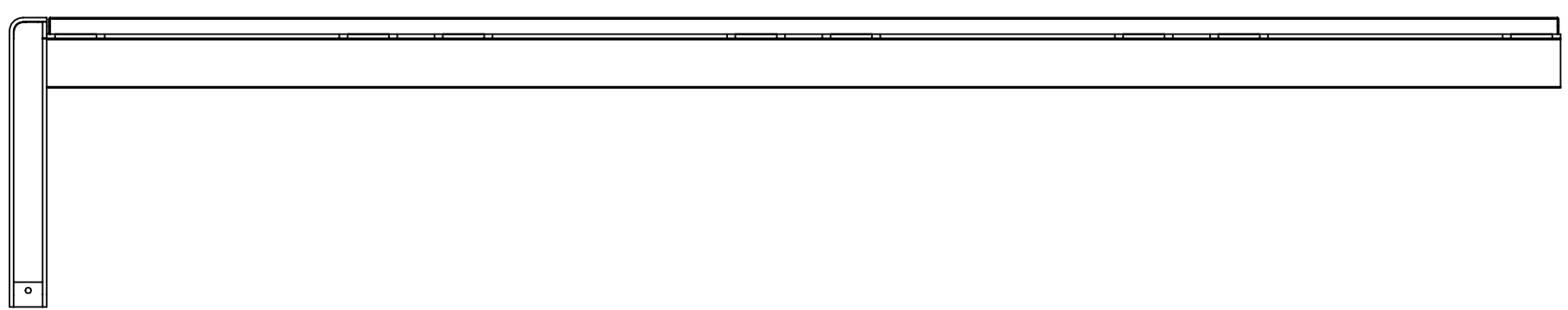
TOP VIEW - WOOD SLAT



RIGHT VIEW

B

A



FRONT VIEW

CUSTOMER APPROVAL:

X _____

DATE:

X _____

UNLESS OTHERWISE SPECIFIED, DIMENSIONS ARE IN INCHES
TOLERANCES (UNLESS OTHERWISE SPECIFIED):
FRACTIONAL: ±1/32
ANGULAR/BEND: ±1°
TWO PLACE DECIMAL ±.030
THREE PLACE DECIMAL ±.020
MATERIAL: SEE DATA SHEET
FINISH: SEE DATA SHEET
WEIGHT: 52.90 LBS.
SOURCE: -
SCALE: N.T.S.

FORMS+SURFACES® 30 Pine Street, Pittsburgh, PA 15223
Tel (412) 781-9003 Fax (412) 781-7840

NAME	DATE
DWN	MGJ 11/3/2014

VECTOR SEATING SYSTEM			
8 FOOT, ONE END LEG			
SBVTR-96A-1E-0B			
SBVTR-96C-1E-0B			
SIZE	DWG. NO.	REV	SHEET
B	SBVTR-96-1E-0B	0	1 OF 1

8 7 6 5 4 3 2 1

D

C

B

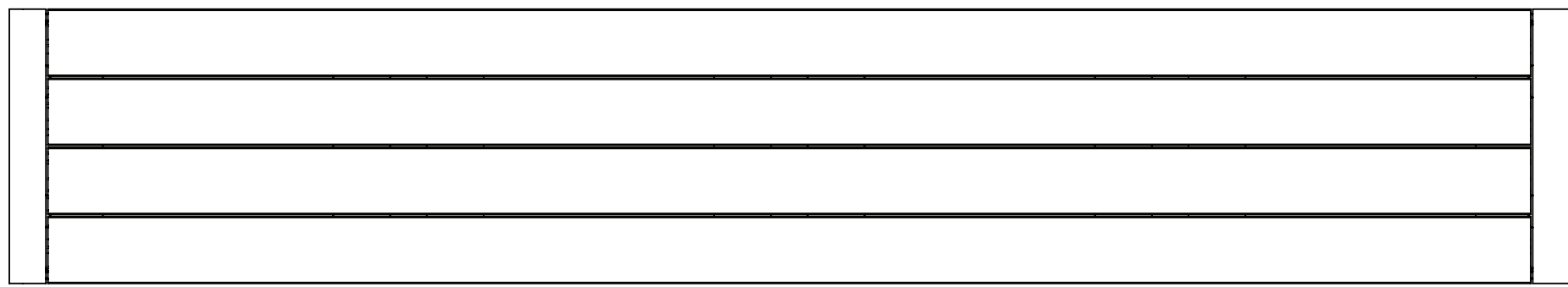
A

PRINTED: 11/5/2014

8 7 6 5 4 3 2 1

D

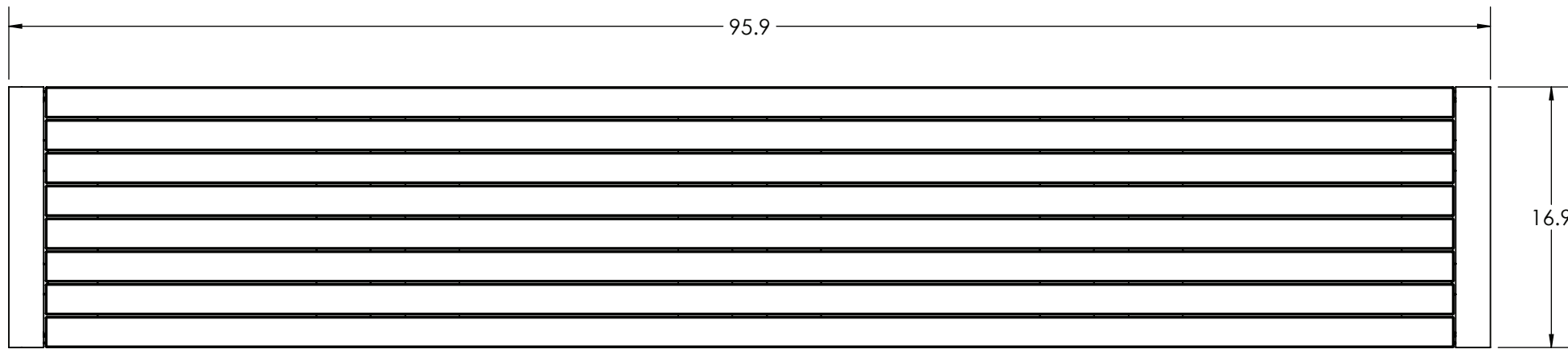
D



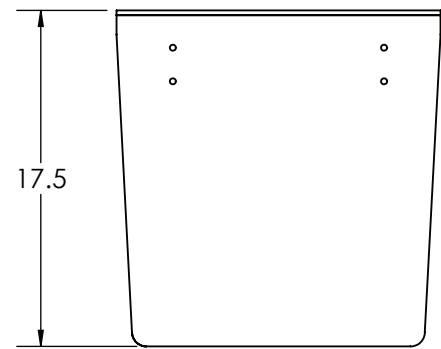
TOP VIEW - ALUMINUM SLAT

C

C



TOP VIEW - WOOD SLAT



RIGHT VIEW

B

B

CUSTOMER APPROVAL:

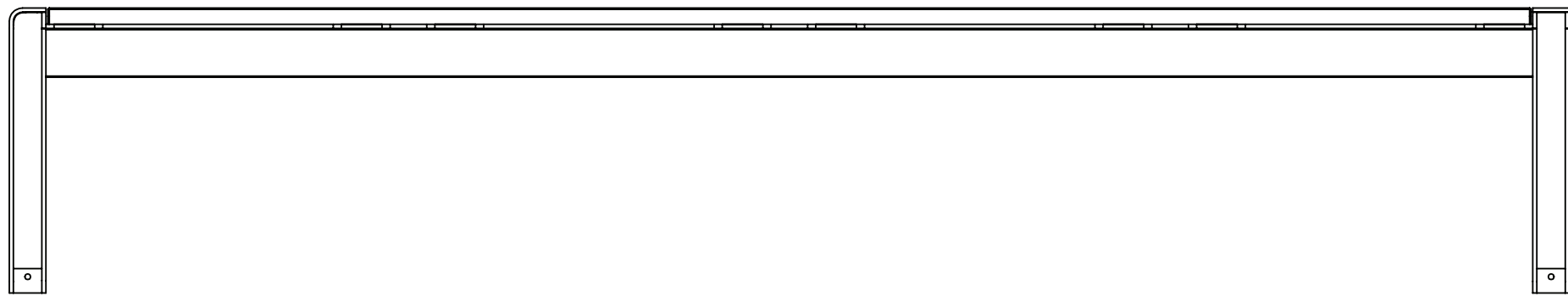
X _____

DATE:

X _____

A

A



FRONT VIEW

UNLESS OTHERWISE SPECIFIED, DIMENSIONS ARE IN INCHES

TOLERANCES (UNLESS OTHERWISE SPECIFIED):
 FRACTIONAL: $\pm 1/32$
 ANGULAR/BEND: $\pm 1^\circ$
 TWO PLACE DECIMAL: $\pm .030$
 THREE PLACE DECIMAL: $\pm .020$

MATERIAL: SEE DATA SHEET

FINISH: SEE DATA SHEET

WEIGHT: 52.90 LBS.

SOURCE: -

SCALE: N.T.S.

FORMS+SURFACES® 30 Pine Street, Pittsburgh, PA 15223
 Tel (412) 781-9003 Fax (412) 781-7840

NAME	DATE
DWN	MGJ 11/3/2014

DO NOT SCALE DRAWING

PROPRIETARY AND CONFIDENTIAL
 THE INFORMATION CONTAINED IN THIS DRAWING IS THE SOLE PROPERTY OF FORMS + SURFACES. ANY REPRODUCTION IN PART OR AS A WHOLE WITHOUT WRITTEN PERMISSION IS PROHIBITED.

SIZE	DWG. NO.	REV	SHEET
B	SBVTR-96-1E1M-0B	0	1 OF 1

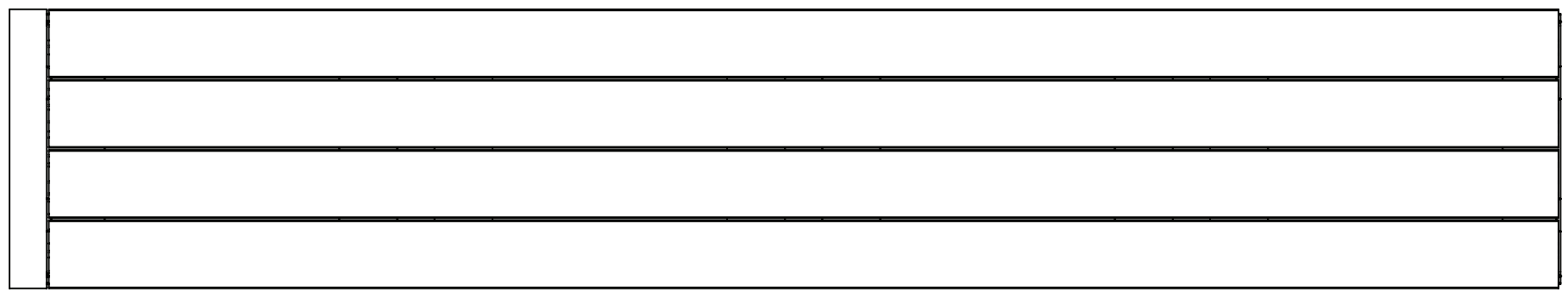
VECTOR SEATING SYSTEM
 8 FOOT, ONE END LEG, ONE INTERMEDIATE LEG
 SBVTR-96A-1E1M-0B
 SBVTR-96C-1E1M-0B

8 7 6 5 4 3 2 1

PRINTED: 11/5/2014

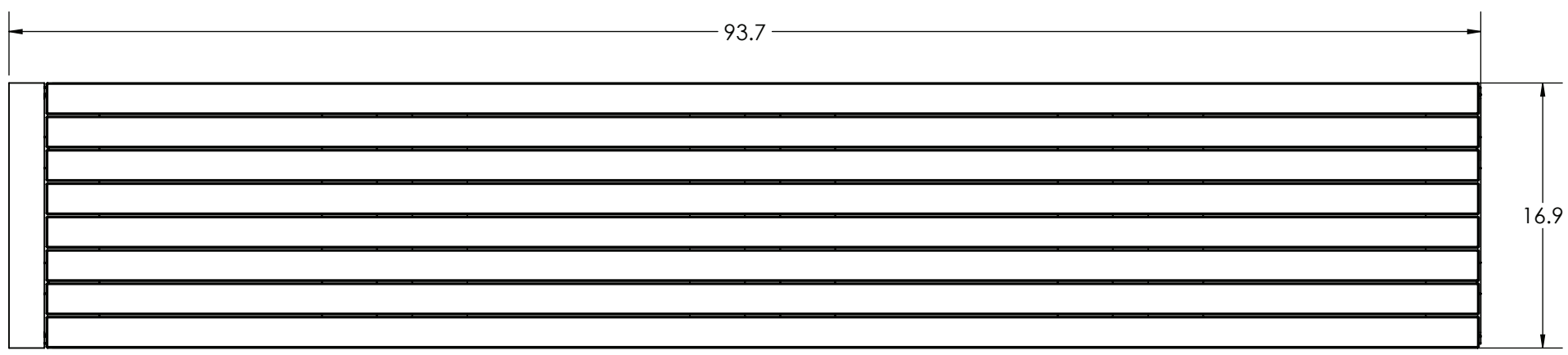
8 7 6 5 4 3 2 1

D

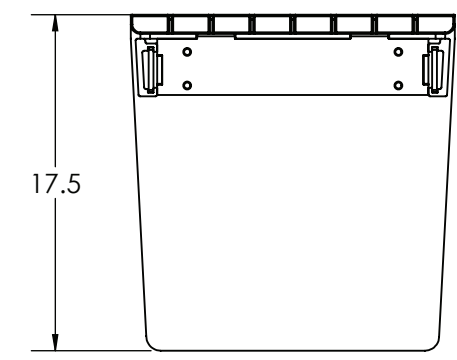


TOP VIEW - ALUMINUM SLAT

C

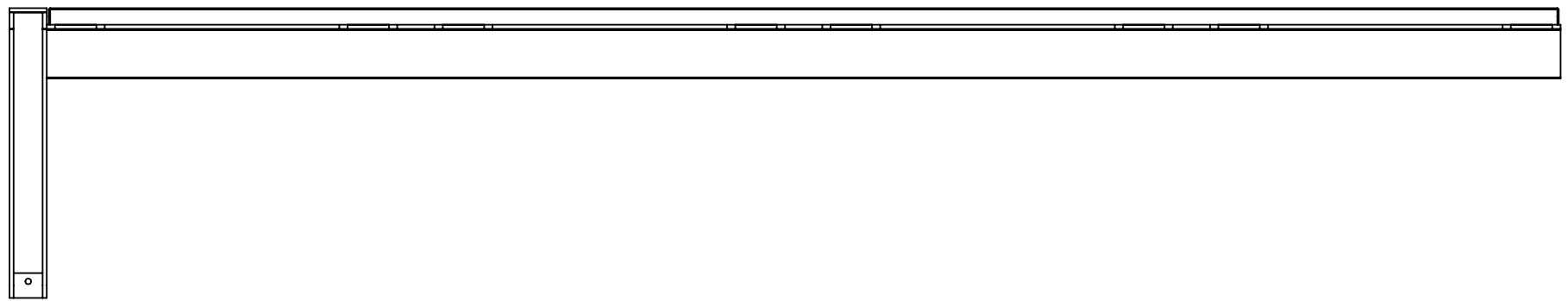


TOP VIEW - WOOD SLAT



RIGHT VIEW

B



FRONT VIEW

CUSTOMER APPROVAL:

X _____

DATE:

X _____

UNLESS OTHERWISE SPECIFIED,
DIMENSIONS ARE IN INCHES
TOLERANCES (UNLESS OTHERWISE
SPECIFIED):
FRACTIONAL: ±1/32
ANGULAR/BEND: ±1°
TWO PLACE DECIMAL ±.030
THREE PLACE DECIMAL ±.020
MATERIAL: SEE DATA SHEET
FINISH: - SEE DATA SHEET
WEIGHT: 52.90 LBS.
SOURCE: -
SCALE: N.T.S.

FORMS+SURFACES® 30 Pine Street, Pittsburgh, PA 15223
Tel (412) 781-9003 Fax (412) 781-7840

NAME	DATE
DWN	MGJ 11/3/2014

VECTOR SEATING SYSTEM			
8 FOOT, ONE INTERMEDIATE LEG			
SBVTR-96A-1M-0B			
SBVTR-96C-1M-0B			
SIZE	DWG. NO.	REV	SHEET
B	SBVTR-96-1M-0B	0	1 OF 1

8 7 6 5 4 3 2 1

D

C

B

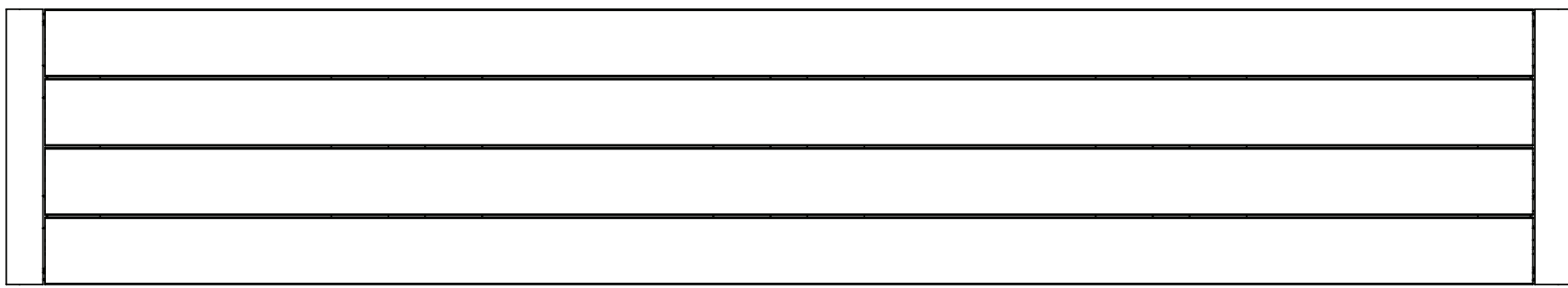
A

PRINTED: 11/5/2014

8 7 6 5 4 3 2 1

D

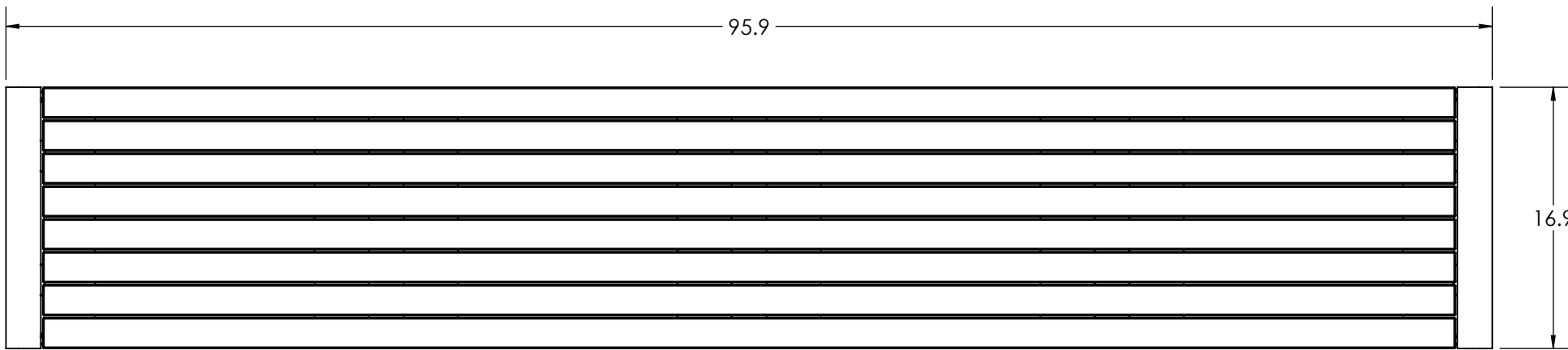
D



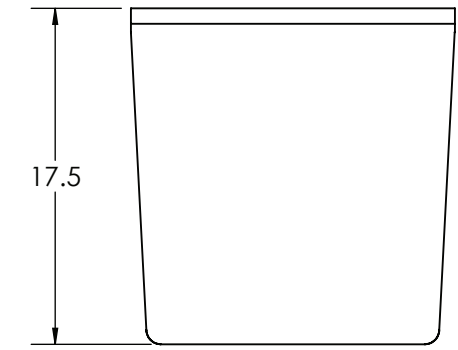
TOP VIEW - ALUMINUM SLAT

C

C



TOP VIEW - WOOD SLAT



RIGHT VIEW

B

B

CUSTOMER APPROVAL:

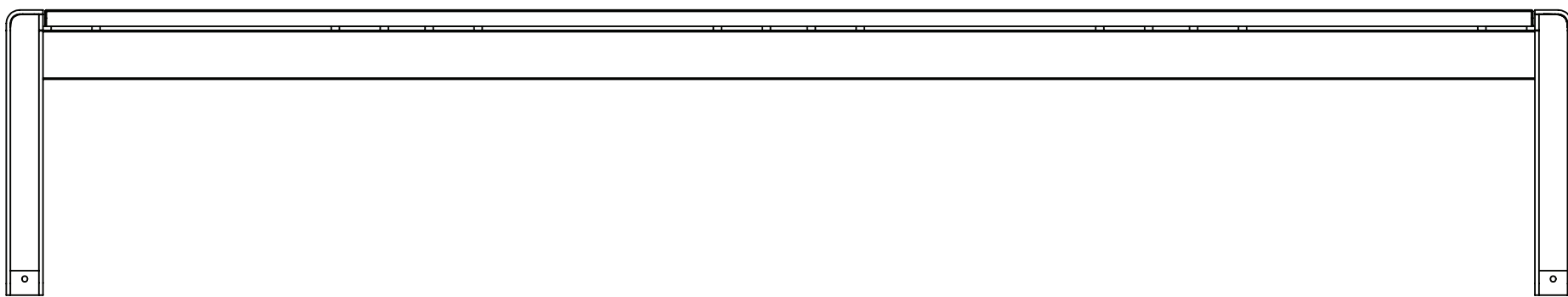
X _____

DATE:

X _____

A

A



FRONT VIEW

UNLESS OTHERWISE SPECIFIED, DIMENSIONS ARE IN INCHES

TOLERANCES (UNLESS OTHERWISE SPECIFIED):
 FRACTIONAL: ±1/32
 ANGULAR/BEND: ±1°
 TWO PLACE DECIMAL ±.030
 THREE PLACE DECIMAL ±.020

MATERIAL: SEE DATA SHEET
 FINISH: SEE DATA SHEET
 WEIGHT: 160.92 LBS.
 SOURCE: -
 SCALE: N.T.S.

FORMS+SURFACES® 30 Pine Street, Pittsburgh, PA 15223
 Tel (412) 781-9003 Fax (412) 781-7840

NAME	DATE
DWN MGJ	11/04/2014

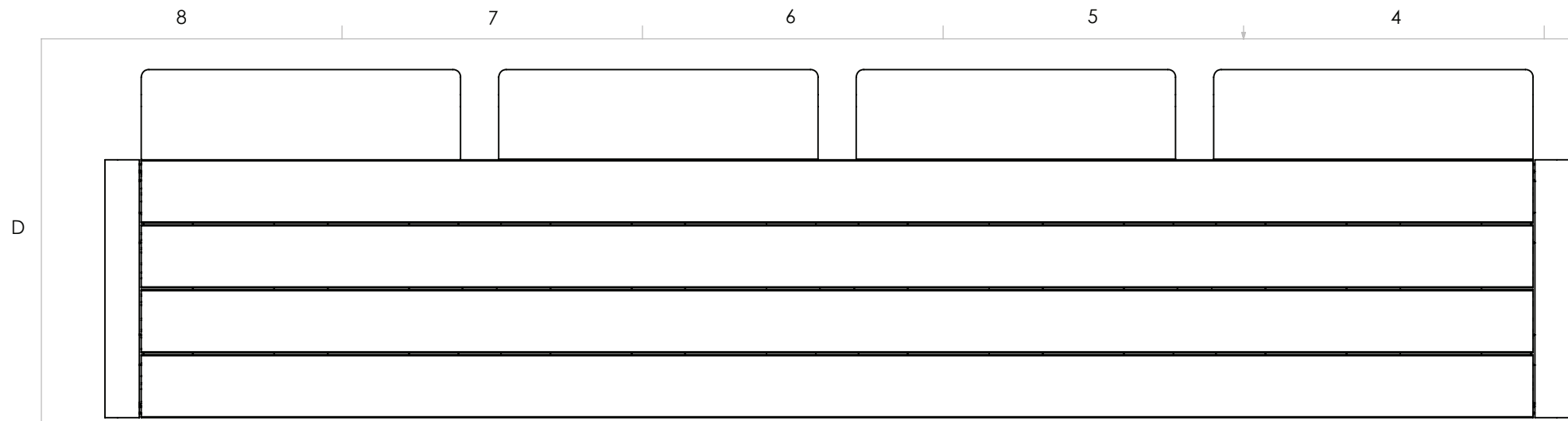
VECTOR SEATING SYSTEM
 8 FOOT, STANDALONE
 SBVTR-96A-2E-0B
 SBVTR-96C-2E-0B

SIZE	DWG. NO.	REV	SHEET
B	SBVTR-96-2E-0B	0	1 OF 1

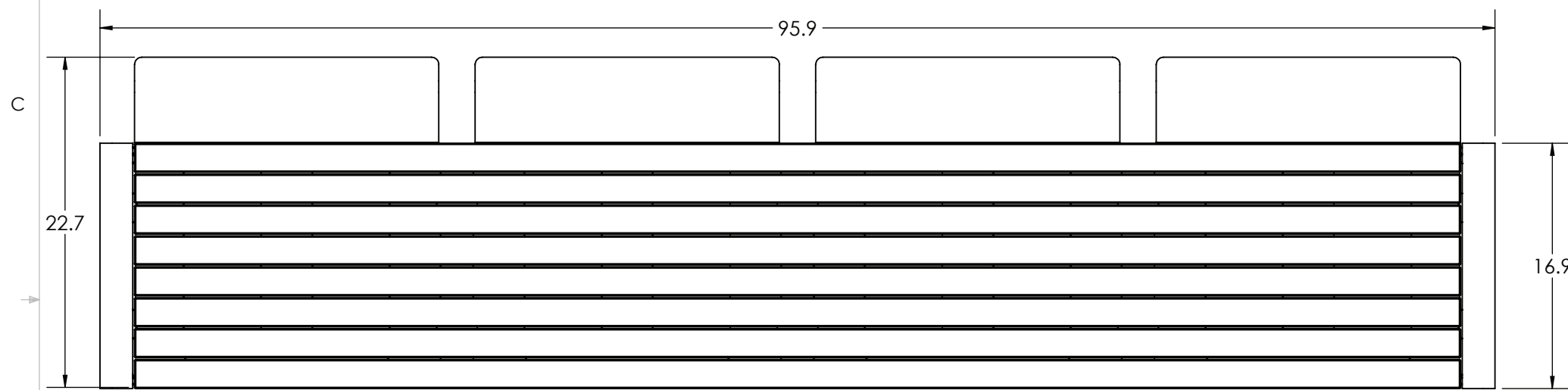
PROPRIETARY AND CONFIDENTIAL
 THE INFORMATION CONTAINED IN THIS DRAWING IS THE SOLE PROPERTY OF FORMS + SURFACES. ANY REPRODUCTION IN PART OR AS A WHOLE WITHOUT WRITTEN PERMISSION IS PROHIBITED.

8 7 6 5 4 3 2 1

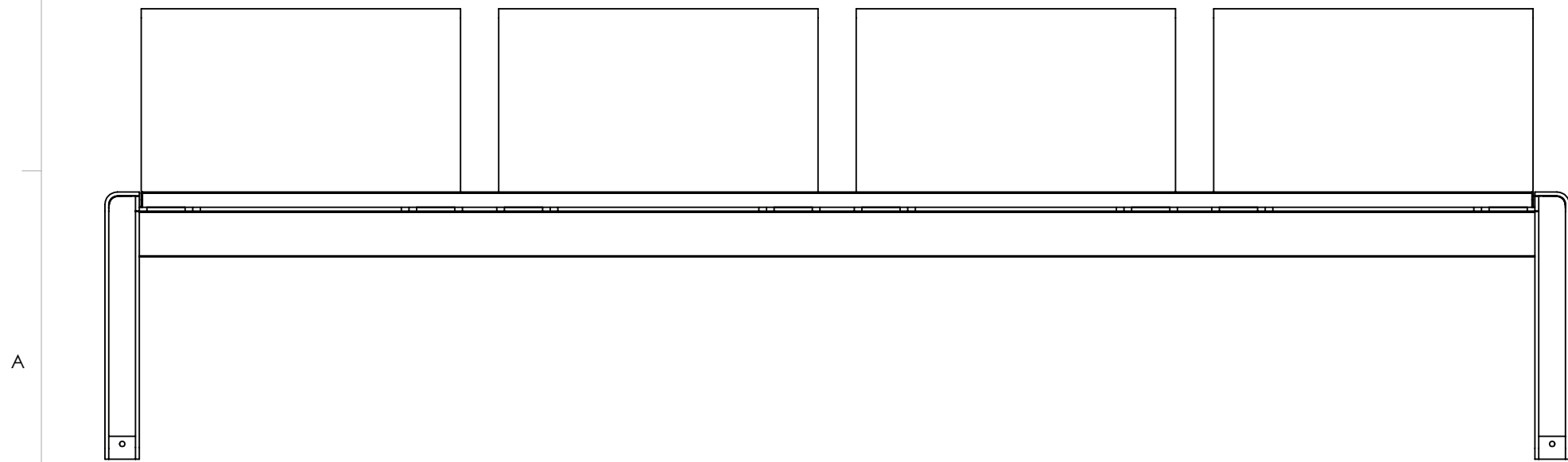
PRINTED: 11/05/2014



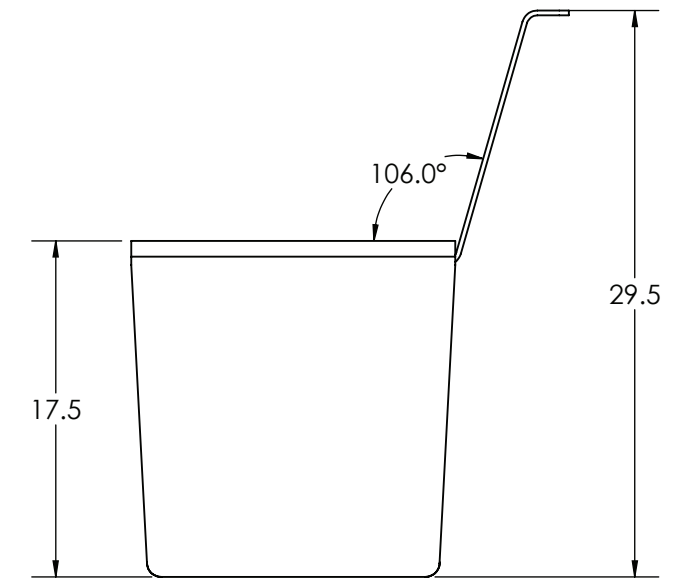
TOP VIEW - ALUMINUM SLAT



TOP VIEW - WOOD SLAT



FRONT VIEW



RIGHT VIEW

CUSTOMER APPROVAL:

X _____

DATE:

X _____

UNLESS OTHERWISE SPECIFIED, DIMENSIONS ARE IN INCHES

TOLERANCES (UNLESS OTHERWISE SPECIFIED):
 FRACTIONAL: ±1/32
 ANGULAR/BEND: ±1°
 TWO PLACE DECIMAL ±.030
 THREE PLACE DECIMAL ±.020

MATERIAL: SEE DATA SHEET

FINISH: SEE DATA SHEET

WEIGHT: 160.92 LBS.

SOURCE: -

SCALE: N.T.S.

FORMS+SURFACES® 30 Pine Street, Pittsburgh, PA 15223
 Tel (412) 781-9003 Fax (412) 781-7840

NAME	DATE
DWN	MGJ 11/04/2014

DO NOT SCALE DRAWING

PROPRIETARY AND CONFIDENTIAL
 THE INFORMATION CONTAINED IN THIS DRAWING IS THE SOLE PROPERTY OF FORMS + SURFACES. ANY REPRODUCTION IN PART OR AS A WHOLE WITHOUT WRITTEN PERMISSION IS PROHIBITED.

VECTOR SEATING SYSTEM 8 FOOT, STANDALONE, FOUR BACKRESTS			
SBVTR-96A-2E-4B			
SBVTR-96C-2E-4B			
SIZE	DWG. NO.	REV	SHEET
B	SBVTR-96-2E-4B	0	1 OF 1

PRINTED: 11/05/2014