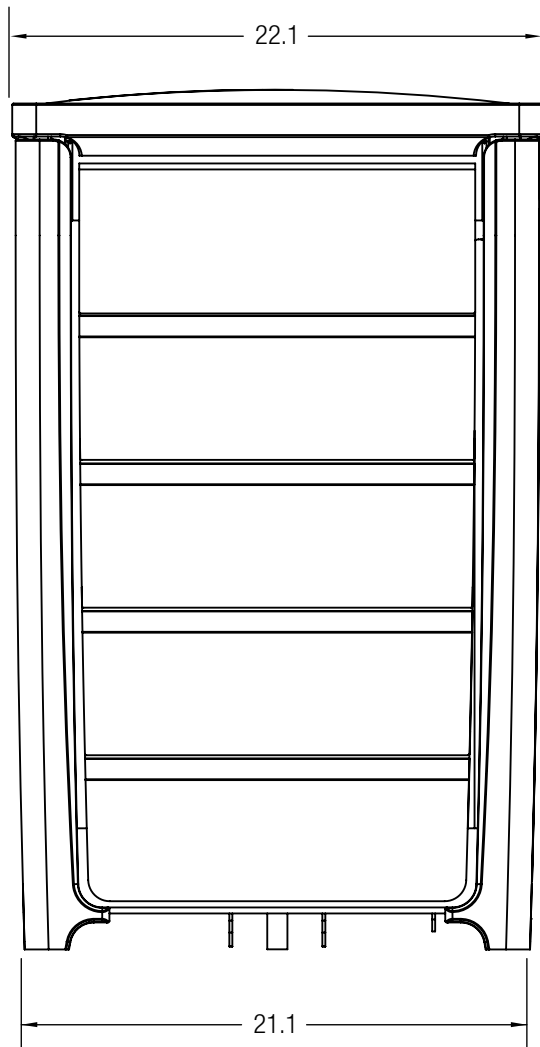


FRONT ELEVATION



SIDE ELEVATION

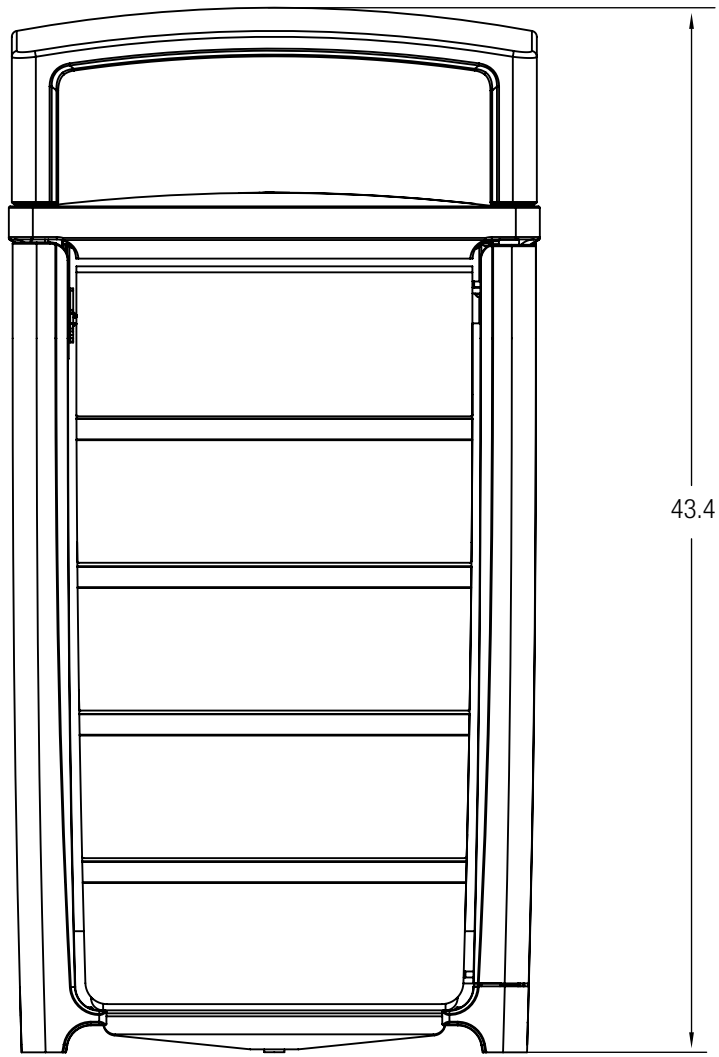
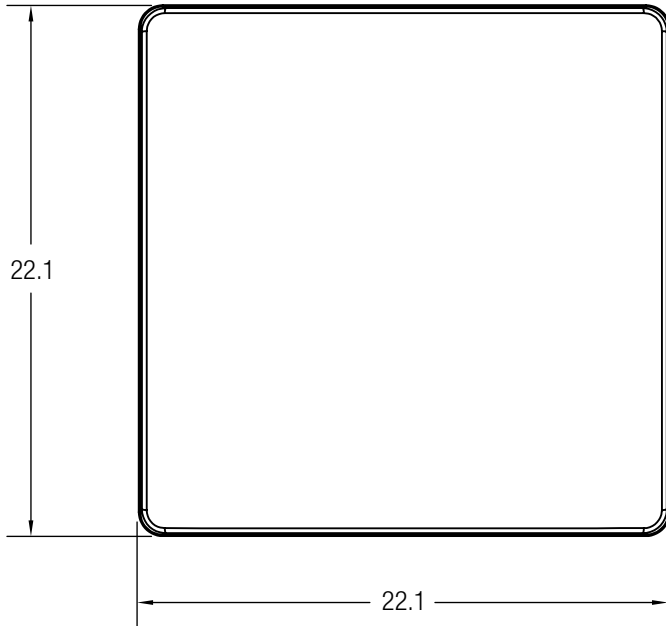
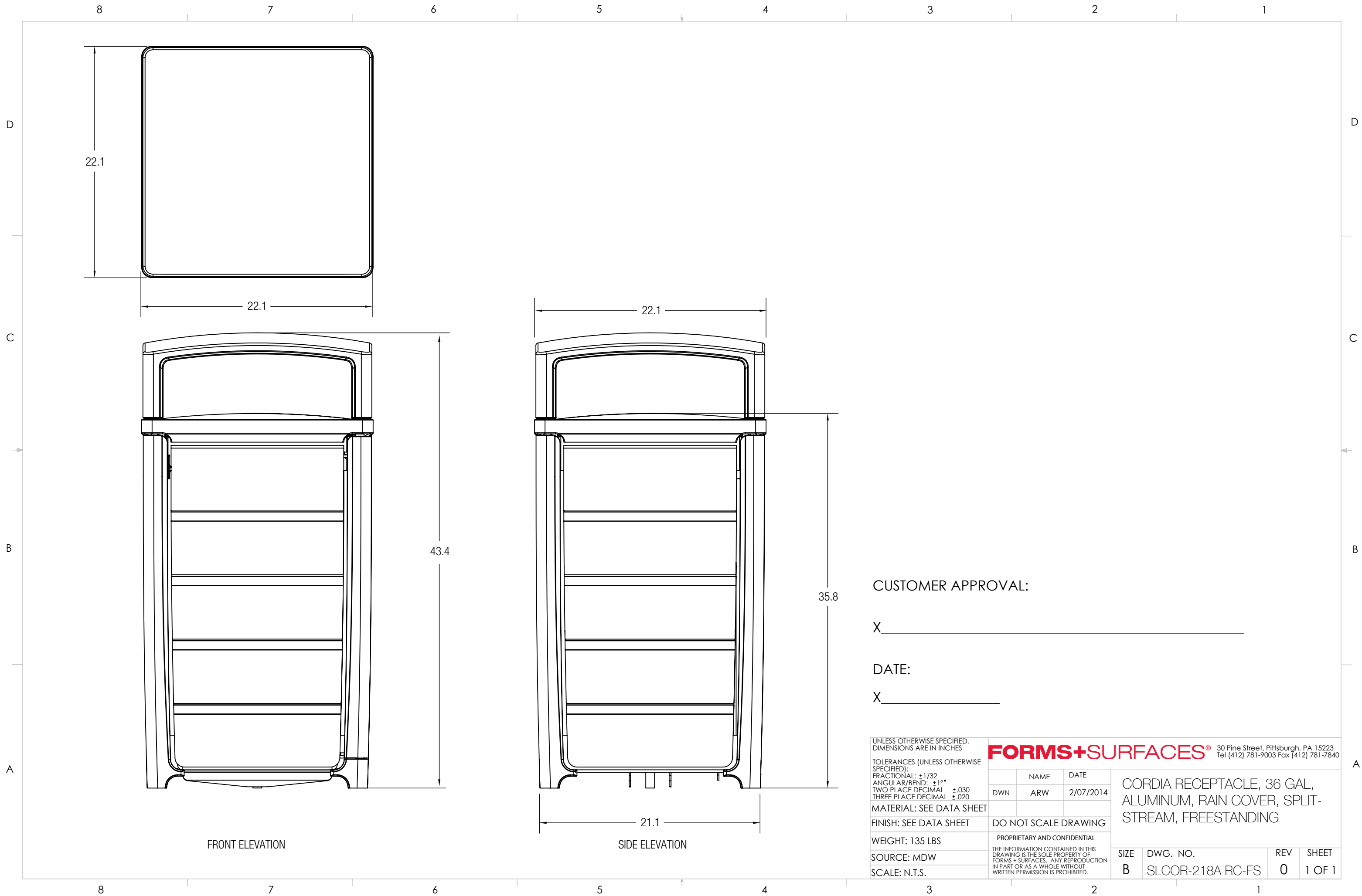
CUSTOMER APPROVAL:

X _____

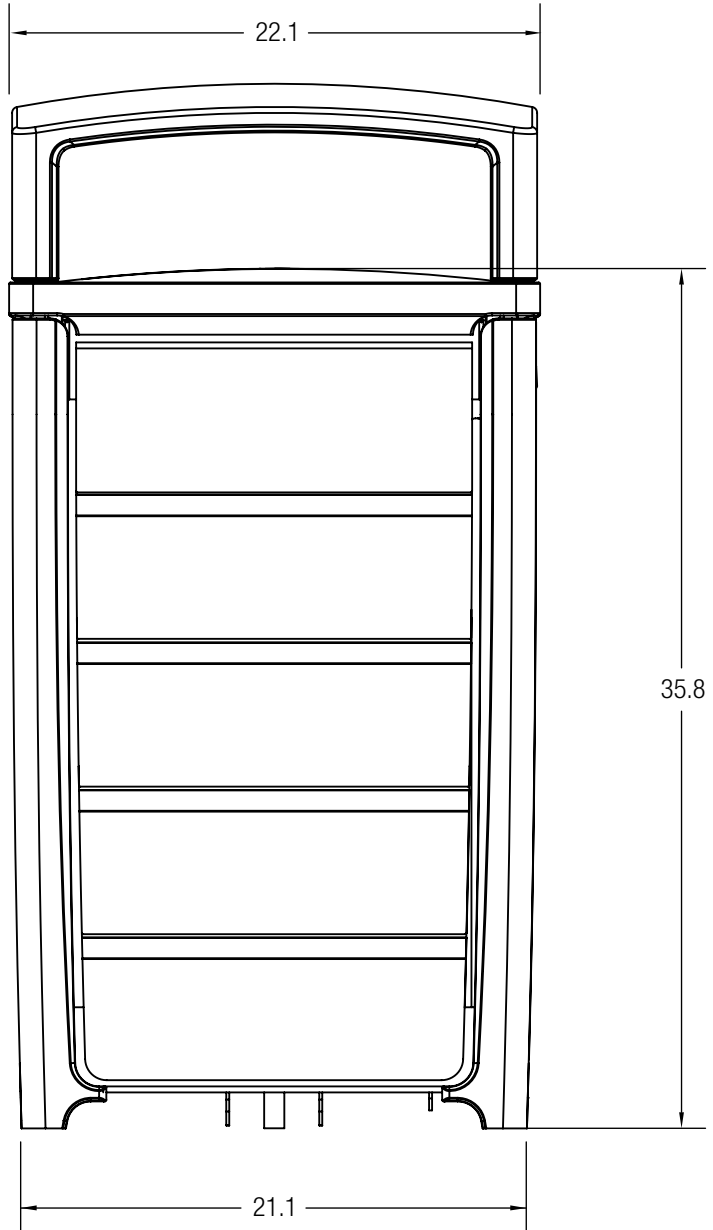
DATE:

X _____

UNLESS OTHERWISE SPECIFIED, DIMENSIONS ARE IN INCHES		FORMS+SURFACES ® 30 Pine Street, Pittsburgh, PA 15223 Tel (412) 781-9003 Fax (412) 781-7840	
TOLERANCES (UNLESS OTHERWISE SPECIFIED): FRACTIONAL: ±1/32 ANGULAR/BEND: ±1° TWO PLACE DECIMAL ±.030 THREE PLACE DECIMAL ±.020		NAME	DATE
MATERIAL: SEE DATA SHEET		DWN	ARW 2/07/2014
FINISH: SEE DATA SHEET		DO NOT SCALE DRAWING	
WEIGHT: 107 LBS		PROPRIETARY AND CONFIDENTIAL	
SOURCE: MDW		THE INFORMATION CONTAINED IN THIS DRAWING IS THE SOLE PROPERTY OF FORMS + SURFACES. ANY REPRODUCTION IN PART OR AS A WHOLE WITHOUT WRITTEN PERMISSION IS PROHIBITED.	
SCALE: N.T.S.		SIZE	DWG. NO.
		B	SLCOR-218A-FS
		REV	SHEET
		0	1 OF 1



FRONT ELEVATION



SIDE ELEVATION

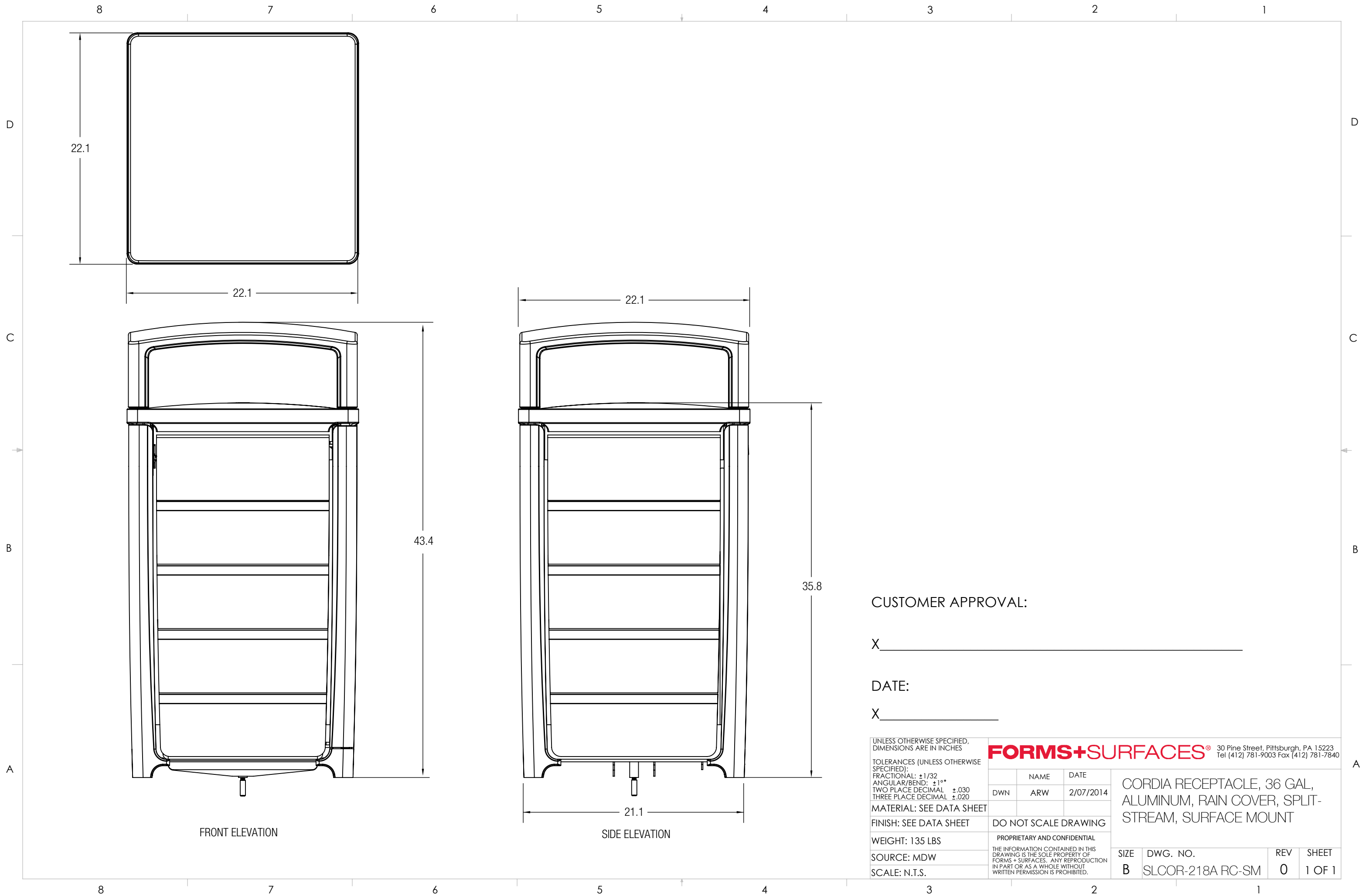
CUSTOMER APPROVAL:

X _____

DATE:

X _____

UNLESS OTHERWISE SPECIFIED, DIMENSIONS ARE IN INCHES		FORMS+SURFACES ® 30 Pine Street, Pittsburgh, PA 15223 Tel (412) 781-9003 Fax (412) 781-7840	
TOLERANCES (UNLESS OTHERWISE SPECIFIED): FRACTIONAL: ±1/32 ANGULAR/BEND: ±1° TWO PLACE DECIMAL ±.030 THREE PLACE DECIMAL ±.020		NAME	DATE
MATERIAL: SEE DATA SHEET		DWN	ARW 2/07/2014
FINISH: SEE DATA SHEET		DO NOT SCALE DRAWING	
WEIGHT: 135 LBS		PROPRIETARY AND CONFIDENTIAL	
SOURCE: MDW		THE INFORMATION CONTAINED IN THIS DRAWING IS THE SOLE PROPERTY OF FORMS + SURFACES. ANY REPRODUCTION IN PART OR AS A WHOLE WITHOUT WRITTEN PERMISSION IS PROHIBITED.	
SCALE: N.T.S.		SIZE	DWG. NO.
		B	SLCOR-218A RC-FS
		REV	SHEET
		0	1 OF 1



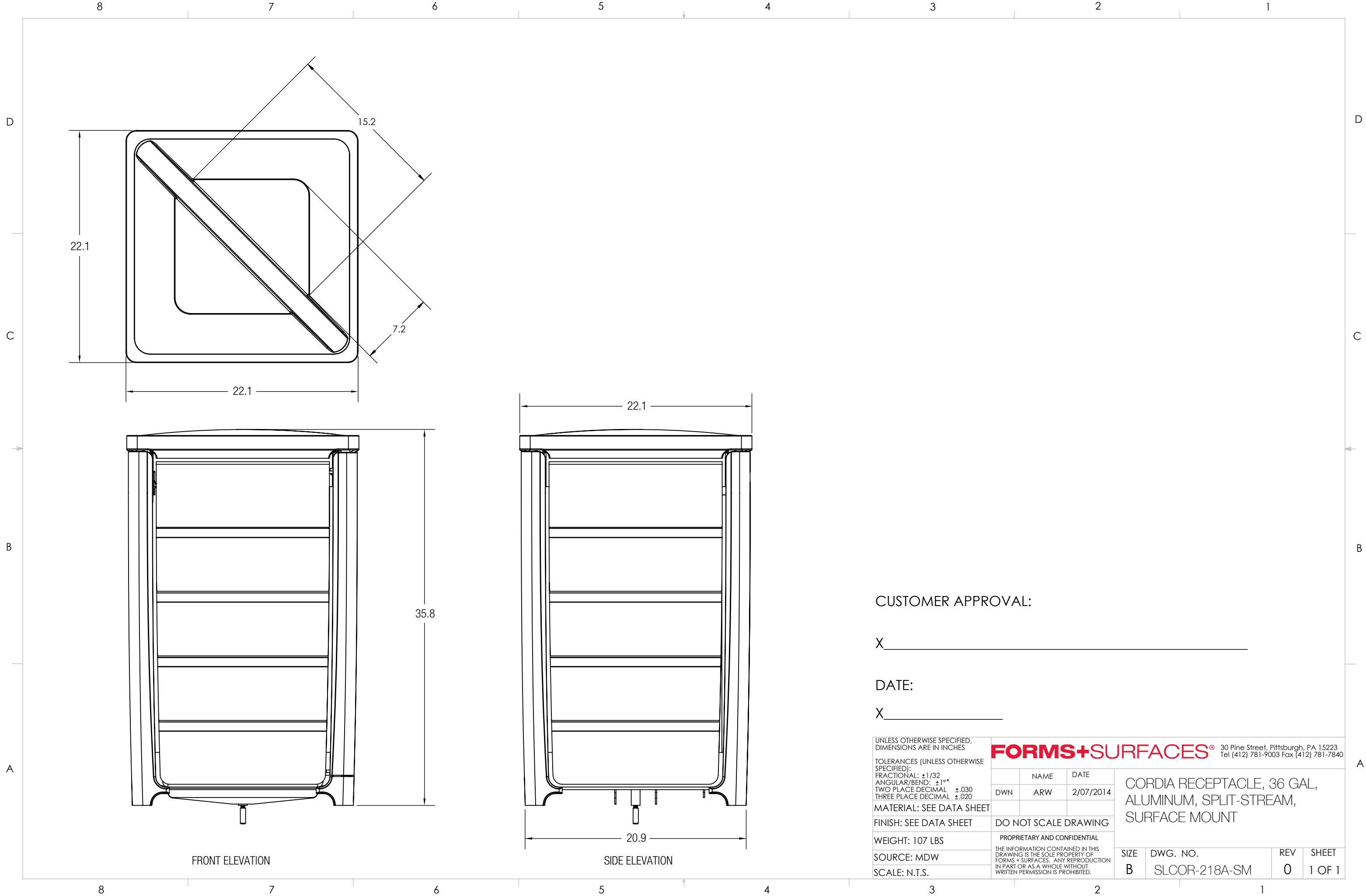
CUSTOMER APPROVAL:

X _____

DATE:

X _____

UNLESS OTHERWISE SPECIFIED, DIMENSIONS ARE IN INCHES		FORMS+SURFACES ® 30 Pine Street, Pittsburgh, PA 15223 Tel (412) 781-9003 Fax (412) 781-7840	
TOLERANCES (UNLESS OTHERWISE SPECIFIED):		NAME	DATE
FRACTIONAL: ±1/32		DWN	ARW 2/07/2014
ANGULAR/BEND: ±1°		CORDIA RECEPTACLE, 36 GAL, ALUMINUM, RAIN COVER, SPLIT- STREAM, SURFACE MOUNT	
TWO PLACE DECIMAL ±.030		SIZE DWG. NO. REV SHEET	
THREE PLACE DECIMAL ±.020		B SLCOR-218A RC-SM 0 1 OF 1	
MATERIAL: SEE DATA SHEET		DO NOT SCALE DRAWING	
FINISH: SEE DATA SHEET		PROPRIETARY AND CONFIDENTIAL	
WEIGHT: 135 LBS		THE INFORMATION CONTAINED IN THIS DRAWING IS THE SOLE PROPERTY OF FORMS + SURFACES. ANY REPRODUCTION IN PART OR AS A WHOLE WITHOUT WRITTEN PERMISSION IS PROHIBITED.	
SOURCE: MDW		SCALE: N.T.S.	



CUSTOMER APPROVAL:

X _____

DATE:

X _____

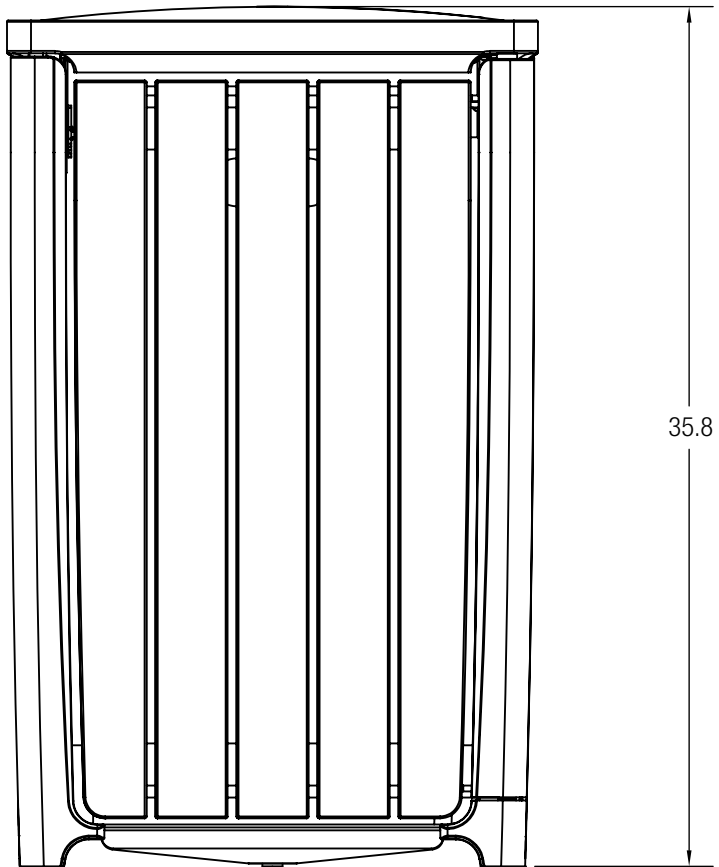
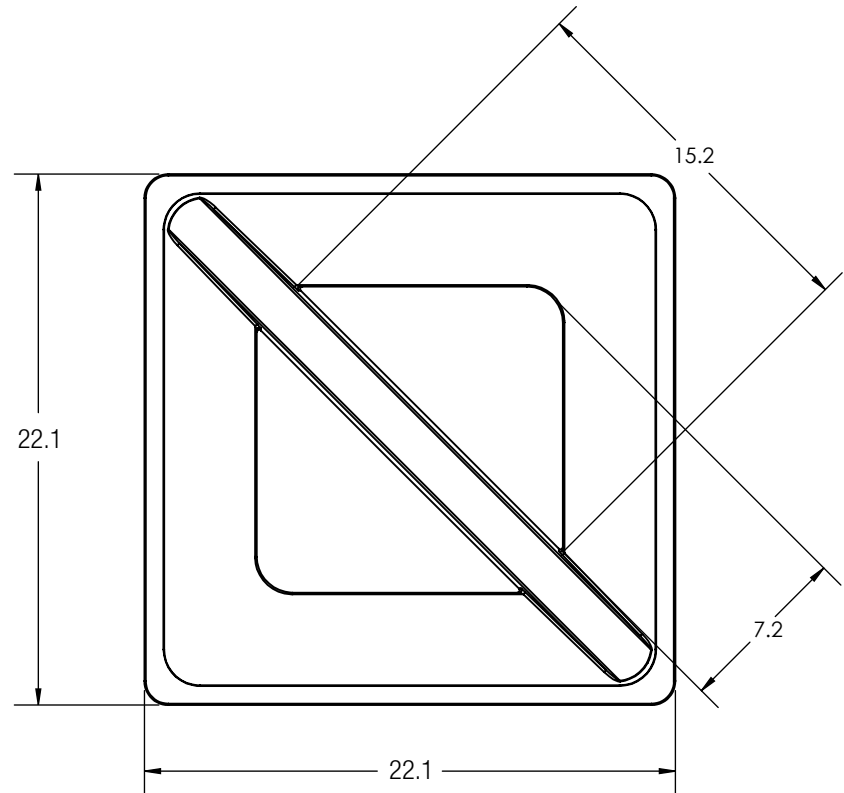
UNLESS OTHERWISE SPECIFIED, DIMENSIONS ARE IN INCHES		FORMS+SURFACES ® 30 Pine Street, Pittsburgh, PA 15223 Tel (412) 781-9003 Fax (412) 781-7840	
TOLERANCES (UNLESS OTHERWISE SPECIFIED): FRACTIONAL: ±1/32 ANGULAR/BEND: ±1°* TWO PLACE DECIMAL ±.030 THREE PLACE DECIMAL ±.020		NAME	DATE
MATERIAL: SEE DATA SHEET		DWN	ARW 2/07/2014
FINISH: SEE DATA SHEET		DO NOT SCALE DRAWING	
WEIGHT: 107 LBS		PROPRIETARY AND CONFIDENTIAL	
SOURCE: MDW		THE INFORMATION CONTAINED IN THIS DRAWING IS THE SOLE PROPERTY OF FORMS + SURFACES. ANY REPRODUCTION IN PART OR AS A WHOLE WITHOUT WRITTEN PERMISSION IS PROHIBITED.	
SCALE: N.T.S.		SIZE	DWG. NO.
		B	SLCOR-218A-SM
		REV	SHEET
		0	1 OF 1

FRONT ELEVATION

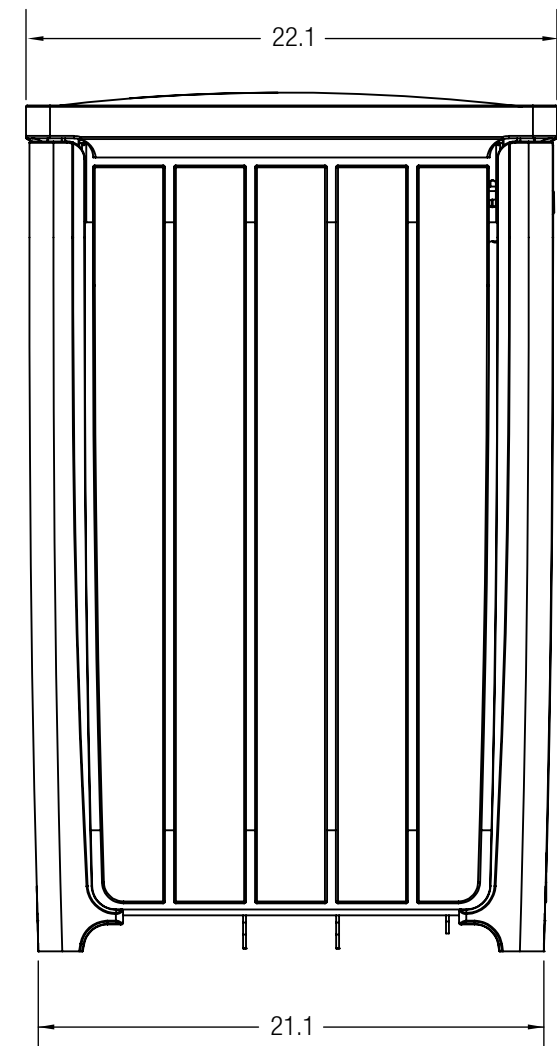
SIDE ELEVATION

8 7 6 5 4 3 2 1

D
C
B
A



FRONT ELEVATION



SIDE ELEVATION

CUSTOMER APPROVAL:

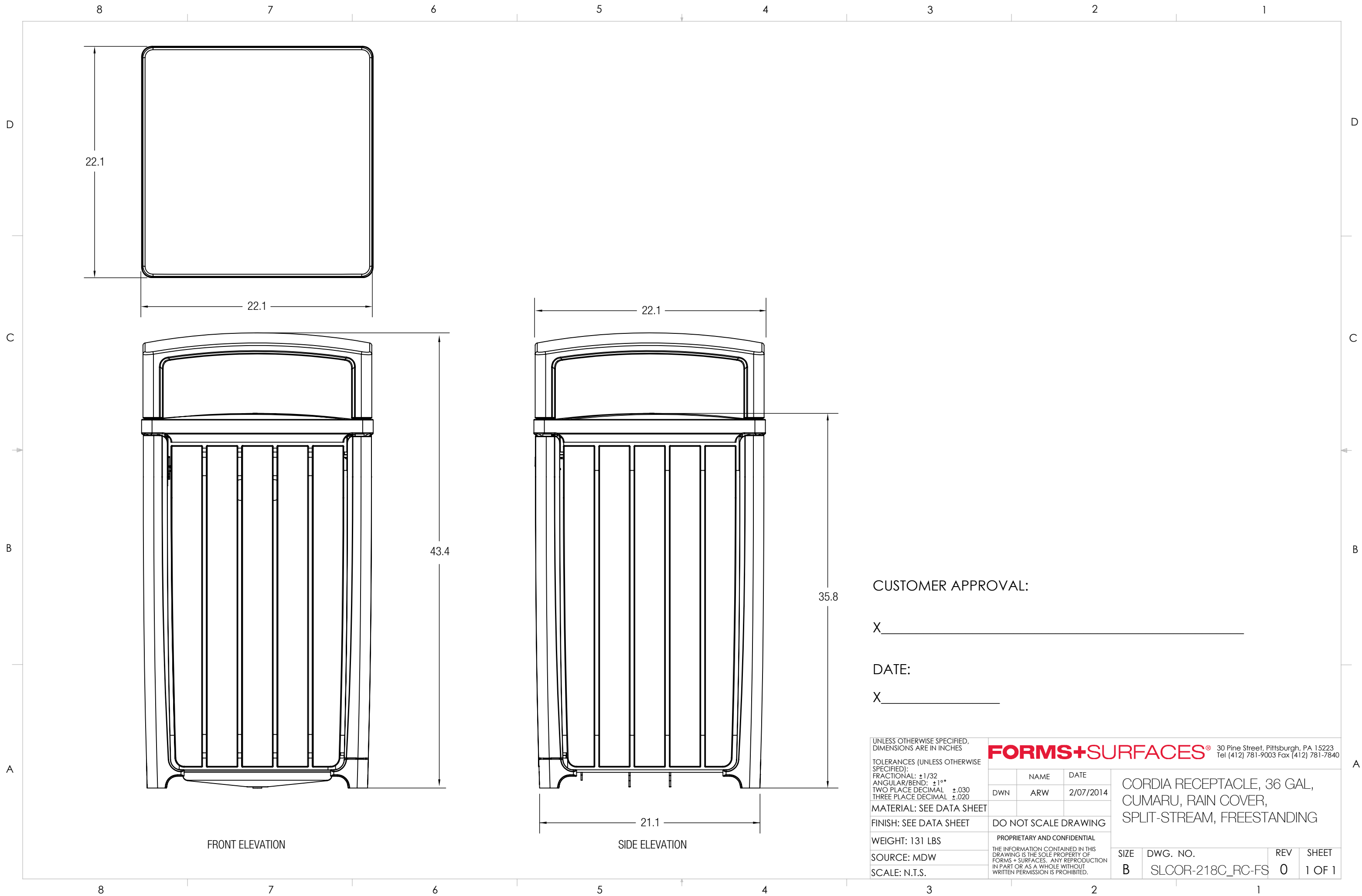
X _____

DATE:

X _____

UNLESS OTHERWISE SPECIFIED, DIMENSIONS ARE IN INCHES		FORMS+SURFACES [®] 30 Pine Street, Pittsburgh, PA 15223 Tel (412) 781-9003 Fax (412) 781-7840	
TOLERANCES (UNLESS OTHERWISE SPECIFIED): FRACTIONAL: ±1/32 ANGULAR/BEND: ±1° TWO PLACE DECIMAL ±.030 THREE PLACE DECIMAL ±.020		NAME	DATE
MATERIAL: SEE DATA SHEET		DWN	ARW 2/07/2014
FINISH: SEE DATA SHEET		DO NOT SCALE DRAWING	
WEIGHT: 103 LBS		PROPRIETARY AND CONFIDENTIAL	
SOURCE: MDW		THE INFORMATION CONTAINED IN THIS DRAWING IS THE SOLE PROPERTY OF FORMS + SURFACES. ANY REPRODUCTION IN PART OR AS A WHOLE WITHOUT WRITTEN PERMISSION IS PROHIBITED.	
SCALE: N.T.S.		SIZE	DWG. NO.
		B	SLCOR-218C-FS
		REV	SHEET
		0	1 OF 1

8 7 6 5 4 3 2 1



FRONT ELEVATION

SIDE ELEVATION

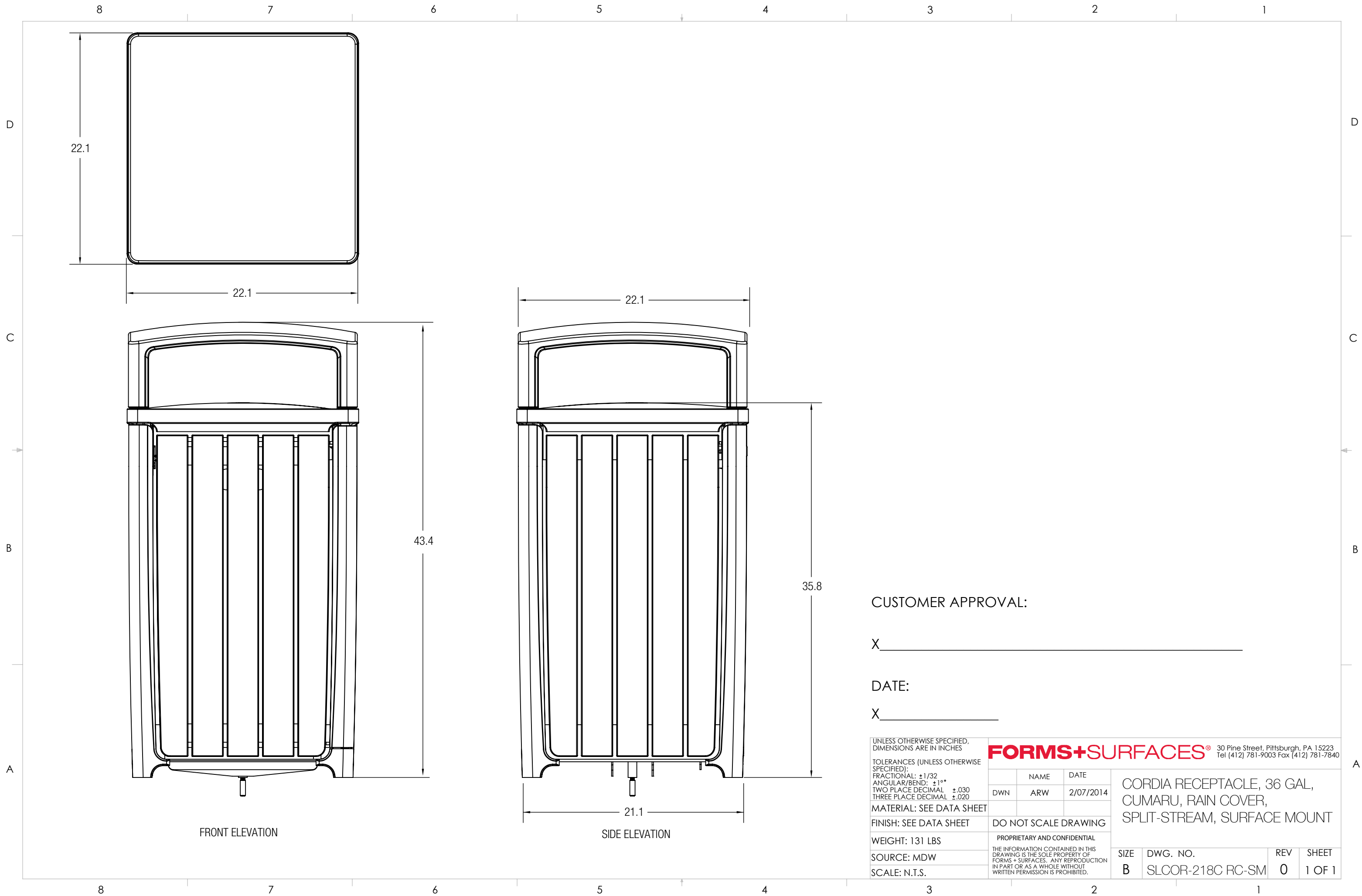
CUSTOMER APPROVAL:

X _____

DATE:

X _____

UNLESS OTHERWISE SPECIFIED, DIMENSIONS ARE IN INCHES		FORMS+SURFACES ® 30 Pine Street, Pittsburgh, PA 15223 Tel (412) 781-9003 Fax (412) 781-7840	
TOLERANCES (UNLESS OTHERWISE SPECIFIED): FRACTIONAL: ±1/32 ANGULAR/BEND: ±1° TWO PLACE DECIMAL ±.030 THREE PLACE DECIMAL ±.020		NAME	DATE
MATERIAL: SEE DATA SHEET		DWN	ARW 2/07/2014
FINISH: SEE DATA SHEET		DO NOT SCALE DRAWING	
WEIGHT: 131 LBS		PROPRIETARY AND CONFIDENTIAL	
SOURCE: MDW		THE INFORMATION CONTAINED IN THIS DRAWING IS THE SOLE PROPERTY OF FORMS + SURFACES. ANY REPRODUCTION IN PART OR AS A WHOLE WITHOUT WRITTEN PERMISSION IS PROHIBITED.	
SCALE: N.T.S.		SIZE	DWG. NO.
		B	SLCOR-218C_RC-FS
		REV	SHEET
		0	1 OF 1



CUSTOMER APPROVAL:

X _____

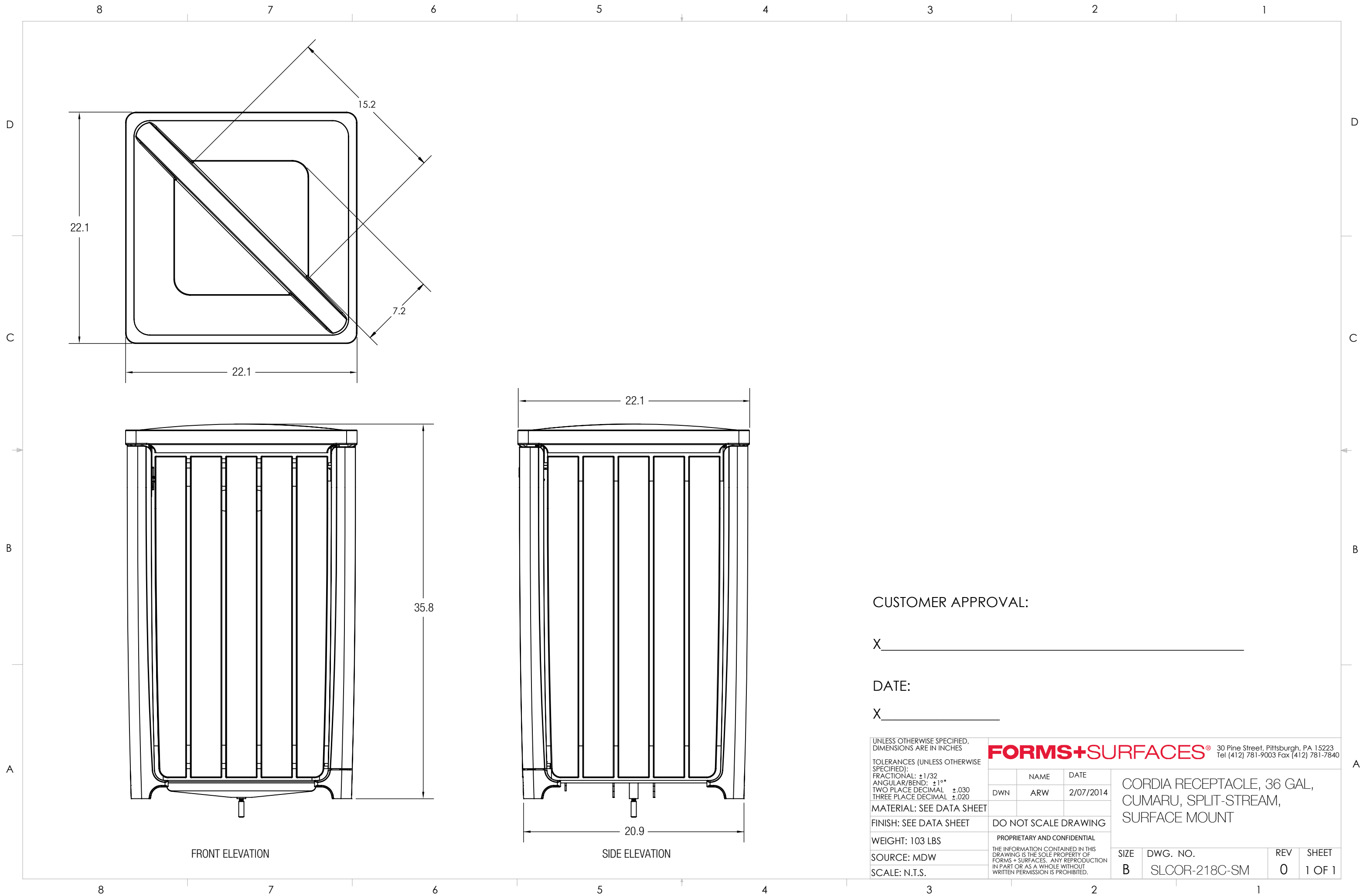
DATE:

X _____

UNLESS OTHERWISE SPECIFIED, DIMENSIONS ARE IN INCHES		FORMS+SURFACES [®] 30 Pine Street, Pittsburgh, PA 15223 Tel (412) 781-9003 Fax (412) 781-7840	
TOLERANCES (UNLESS OTHERWISE SPECIFIED): FRACTIONAL: ±1/32 ANGULAR/BEND: ±1°* TWO PLACE DECIMAL ±.030 THREE PLACE DECIMAL ±.020		NAME	DATE
MATERIAL: SEE DATA SHEET		DWN	ARW 2/07/2014
FINISH: SEE DATA SHEET		DO NOT SCALE DRAWING	
WEIGHT: 131 LBS		PROPRIETARY AND CONFIDENTIAL	
SOURCE: MDW		THE INFORMATION CONTAINED IN THIS DRAWING IS THE SOLE PROPERTY OF FORMS + SURFACES. ANY REPRODUCTION IN PART OR AS A WHOLE WITHOUT WRITTEN PERMISSION IS PROHIBITED.	
SCALE: N.T.S.		SIZE	DWG. NO.
		B	SLCOR-218C RC-SM
		REV	SHEET
		0	1 OF 1

FRONT ELEVATION

SIDE ELEVATION



CUSTOMER APPROVAL:

X _____

DATE:

X _____

UNLESS OTHERWISE SPECIFIED, DIMENSIONS ARE IN INCHES		FORMS+SURFACES ® 30 Pine Street, Pittsburgh, PA 15223 Tel (412) 781-9003 Fax (412) 781-7840	
TOLERANCES (UNLESS OTHERWISE SPECIFIED):		NAME	DATE
FRACTIONAL: ±1/32		DWN	ARW
ANGULAR/BEND: ±1°			2/07/2014
TWO PLACE DECIMAL ±.030		CORDIA RECEPTACLE, 36 GAL, CUMARU, SPLIT-STREAM, SURFACE MOUNT	
THREE PLACE DECIMAL ±.020		SIZE DWG. NO. REV SHEET	
MATERIAL: SEE DATA SHEET		B SLCOR-218C-SM 0 1 OF 1	
FINISH: SEE DATA SHEET		DO NOT SCALE DRAWING	
WEIGHT: 103 LBS		PROPRIETARY AND CONFIDENTIAL	
SOURCE: MDW		THE INFORMATION CONTAINED IN THIS DRAWING IS THE SOLE PROPERTY OF FORMS + SURFACES. ANY REPRODUCTION IN PART OR AS A WHOLE WITHOUT WRITTEN PERMISSION IS PROHIBITED.	
SCALE: N.T.S.			