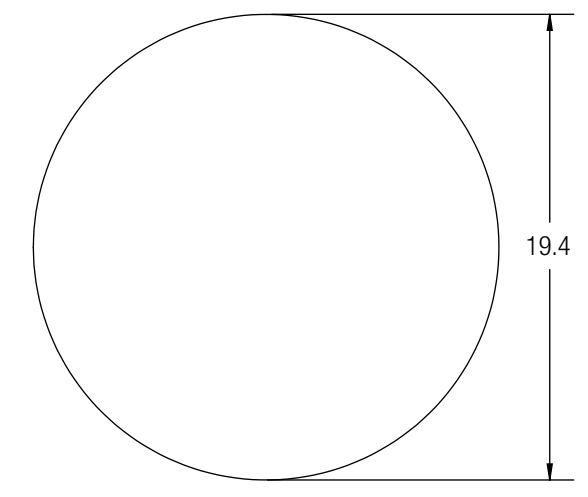
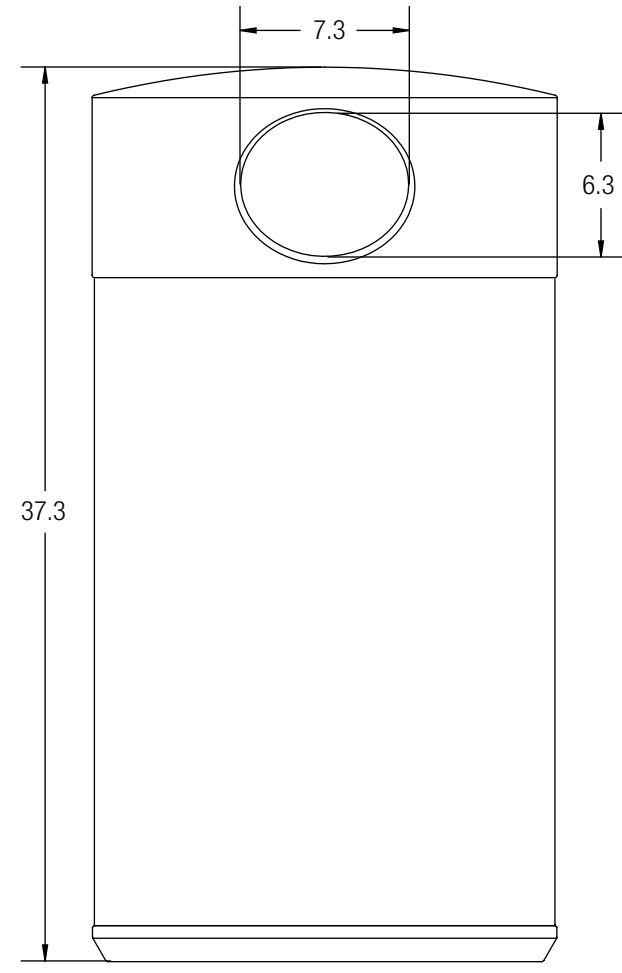
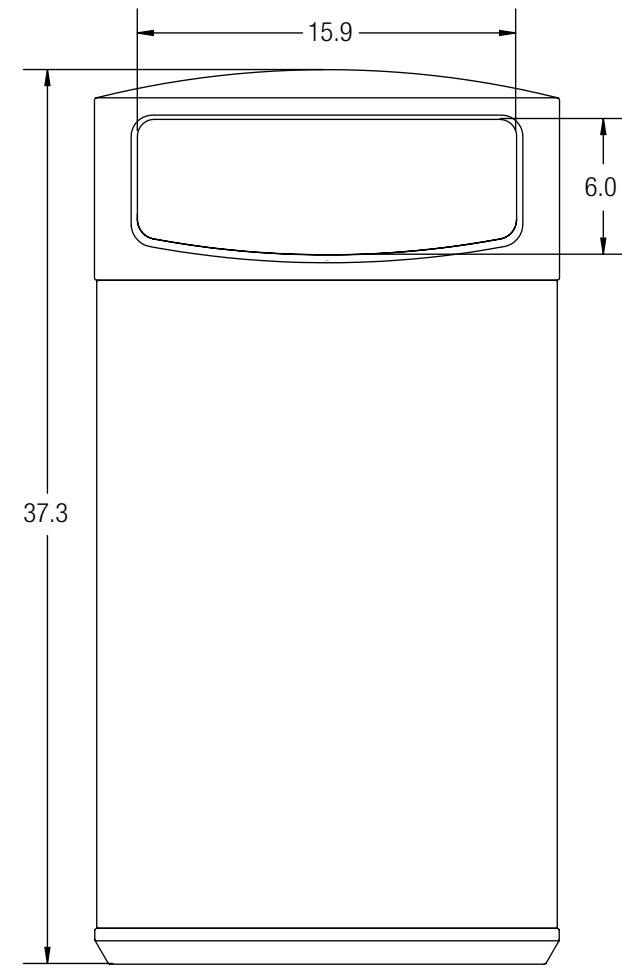


8 7 6 5 4 3 2 1

D
C
B
A



D
C
B
A

CUSTOMER APPROVAL:

X _____

DATE:

X _____

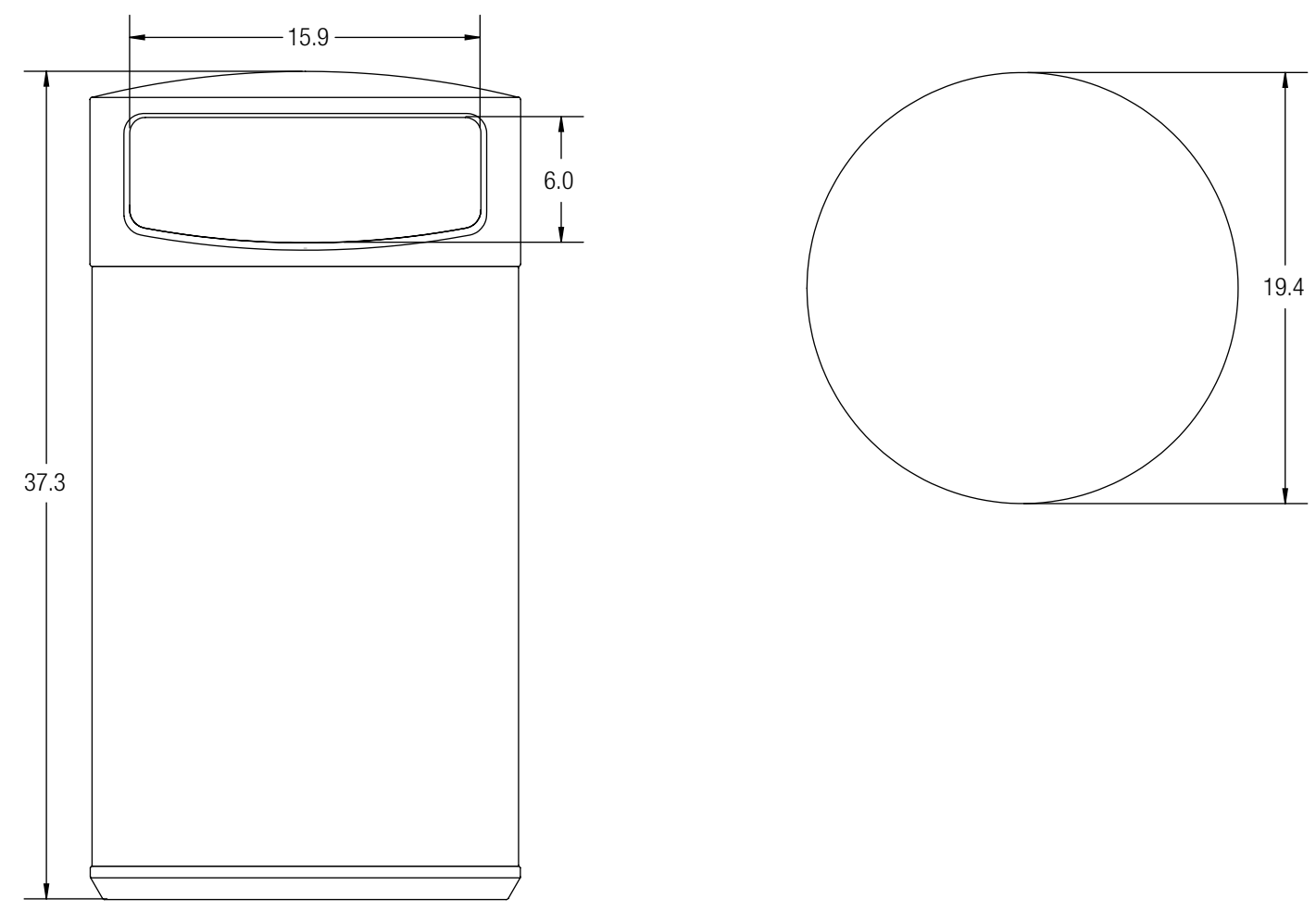
UNLESS OTHERWISE SPECIFIED, DIMENSIONS ARE IN INCHES		FORMS+SURFACES ® 30 Pine Street, Pittsburgh, PA 15223 Tel (800) 451-0410 Fax (412) 781-7840	
TOLERANCES (UNLESS OTHERWISE SPECIFIED): FRACTIONAL: ±1/32 ANGULAR/BEND: ±1°* TWO PLACE DECIMAL ±.030 THREE PLACE DECIMAL ±.020		DATE	UNIVERSAL RECEPTACLE 24 GAL, SIDE OPENING STANDARD / ROUND SLUNN-24SSR
MATERIAL: SEE DATA SHEET		09/01/2011	
FINISH: SEE DATA SHEET	DO NOT SCALE DRAWING		SIZE DWG. NO. REV SHEET B SLUNN-24SSR-TD 0 1 OF 1
WEIGHT: 45 LBS	PROPRIETARY AND CONFIDENTIAL		
+33 LB CONCRETE BASE	THE INFORMATION CONTAINED IN THIS DRAWING IS THE SOLE PROPERTY OF FORMS + SURFACES. ANY REPRODUCTION IN PART OR AS A WHOLE WITHOUT WRITTEN PERMISSION IS PROHIBITED.		
SCALE: N.T.S.			

8 7 6 5 4 3 2 1

8 7 6 5 4 3 2 1

D
C
B
A

D
C
B
A



OPENINGS ON BOTH SIDES

CUSTOMER APPROVAL:

X _____

DATE:

X _____

UNLESS OTHERWISE SPECIFIED, DIMENSIONS ARE IN INCHES		FORMS+SURFACES [®] 30 Pine Street, Pittsburgh, PA 15223 Tel (800) 451-0410 Fax (412) 781-7840	
TOLERANCES (UNLESS OTHERWISE SPECIFIED): FRACTIONAL: ±1/32 ANGULAR/BEND: ±1°* TWO PLACE DECIMAL ±.030 THREE PLACE DECIMAL ±.020		DATE	
MATERIAL: SEE DATA SHEET		09/01/2011	
FINISH: SEE DATA SHEET	DO NOT SCALE DRAWING		
WEIGHT: 45 LBS	PROPRIETARY AND CONFIDENTIAL		
+33 LB CONCRETE BASE	THE INFORMATION CONTAINED IN THIS DRAWING IS THE SOLE PROPERTY OF FORMS + SURFACES. ANY REPRODUCTION IN PART OR AS A WHOLE WITHOUT WRITTEN PERMISSION IS PROHIBITED.		
SCALE: N.T.S.	SIZE	DWG. NO.	REV SHEET
	B	SLUNN-24SSS-TD	0 1 OF 1

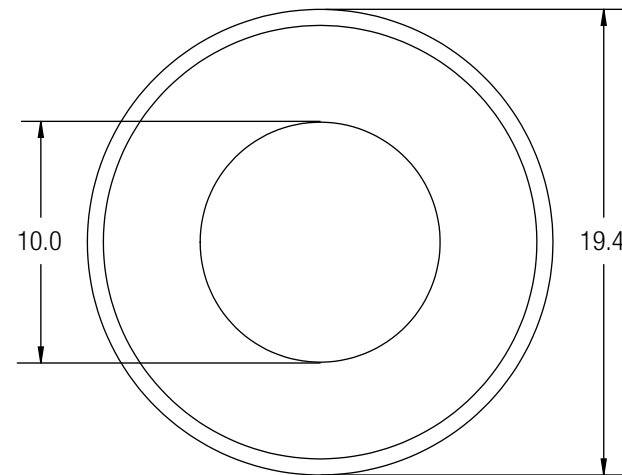
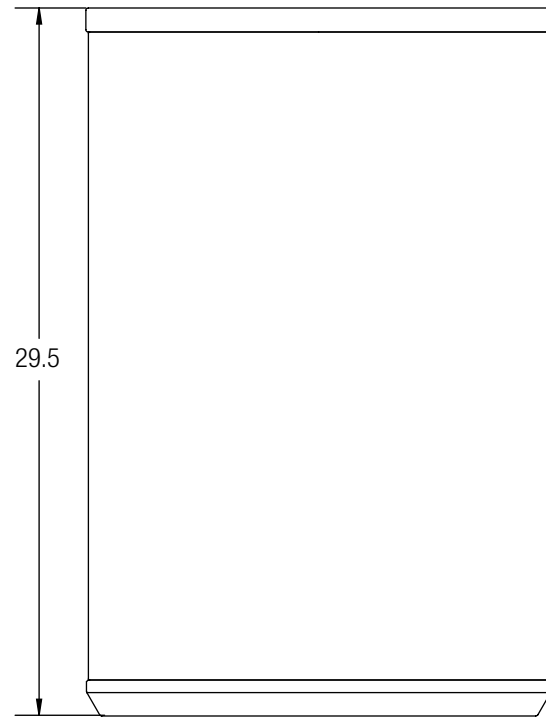
UNIVERSAL RECEPTACLE
24 GAL, SIDE OPENING
STANDARD / STANDARD
SLUNN-24SSS

8 7 6 5 4 3 2 1

8 7 6 5 4 3 2 1

D
C
B
A

D
C
B
A



CUSTOMER APPROVAL:

X _____

DATE:

X _____

UNLESS OTHERWISE SPECIFIED, DIMENSIONS ARE IN INCHES		FORMS+SURFACES ® 30 Pine Street, Pittsburgh, PA 15223 Tel (800) 451-0410 Fax (412) 781-7840	
TOLERANCES (UNLESS OTHERWISE SPECIFIED): FRACTIONAL: ±1/32 ANGULAR/BEND: ±1°* TWO PLACE DECIMAL ±.030 THREE PLACE DECIMAL ±.020		DATE	
MATERIAL: SEE DATA SHEET		09/01/2011	
FINISH: SEE DATA SHEET	DO NOT SCALE DRAWING		
WEIGHT: 42 LBS	PROPRIETARY AND CONFIDENTIAL		
+33 LB CONCRETE BASE	THE INFORMATION CONTAINED IN THIS DRAWING IS THE SOLE PROPERTY OF FORMS + SURFACES. ANY REPRODUCTION IN PART OR AS A WHOLE WITHOUT WRITTEN PERMISSION IS PROHIBITED.		
SCALE: N.T.S.	SIZE	DWG. NO.	REV SHEET
	B	SLUNN-24T10-TD	0 1 OF 1

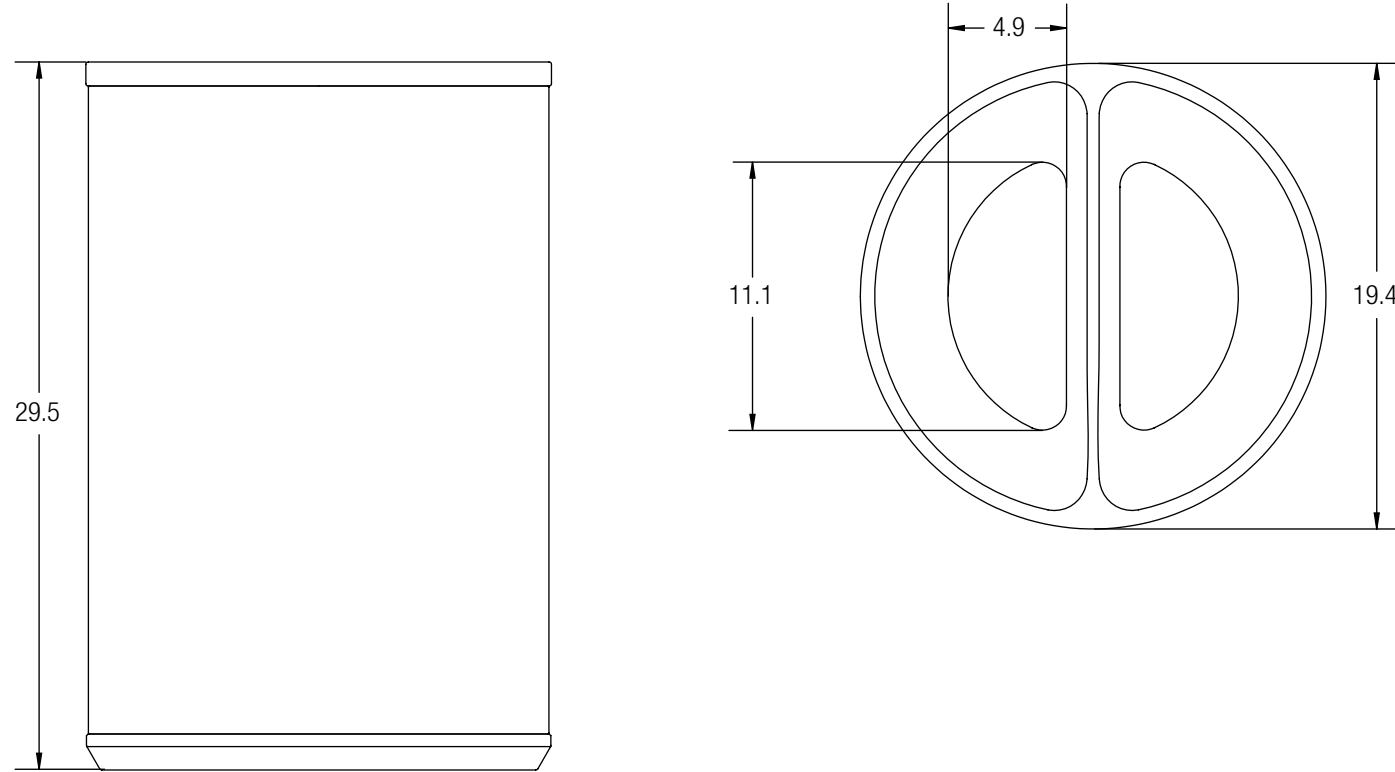
UNIVERSAL RECEPTACLE
24 GAL, TOP OPENING
10" DIAMETER OPENING
SLUNN-24T10

8 7 6 5 4 3 2 1

8 7 6 5 4 3 2 1

D
C
B
A

D
C
B
A



CUSTOMER APPROVAL:

X _____

DATE:

X _____

UNLESS OTHERWISE SPECIFIED, DIMENSIONS ARE IN INCHES		FORMS+SURFACES [®] 30 Pine Street, Pittsburgh, PA 15223 Tel (800) 451-0410 Fax (412) 781-7840	
TOLERANCES (UNLESS OTHERWISE SPECIFIED): FRACTIONAL: ±1/32 ANGULAR/BEND: ±1° TWO PLACE DECIMAL ±.030 THREE PLACE DECIMAL ±.020		DATE	UNIVERSAL RECEPTACLE 24 GAL, TOP OPENING SPLIT-STREAM SLUNN-24TS
MATERIAL: SEE DATA SHEET		09/01/2011	
FINISH: SEE DATA SHEET	DO NOT SCALE DRAWING		REV SHEET 0 1 OF 1
WEIGHT: 42 LBS	PROPRIETARY AND CONFIDENTIAL		
+33 LB CONCRETE BASE	THE INFORMATION CONTAINED IN THIS DRAWING IS THE SOLE PROPERTY OF FORMS + SURFACES. ANY REPRODUCTION IN PART OR AS A WHOLE WITHOUT WRITTEN PERMISSION IS PROHIBITED.		SIZE DWG. NO. B SLUNN-24TS-TD
SCALE: N.T.S.			

8 7 6 5 4 3 2 1