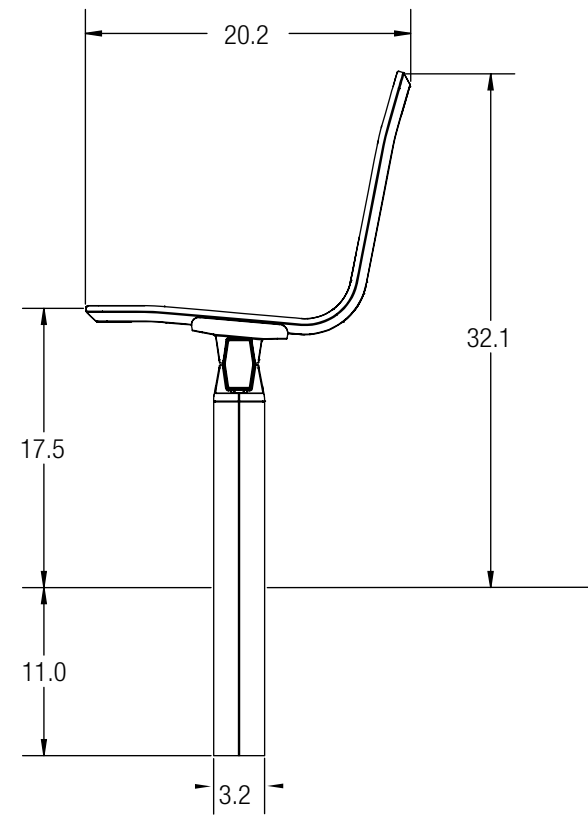
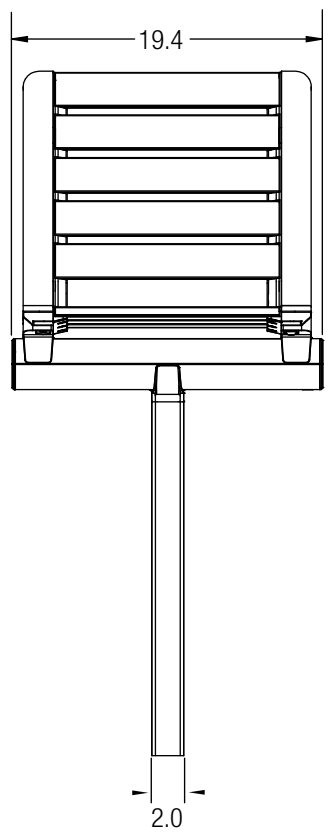
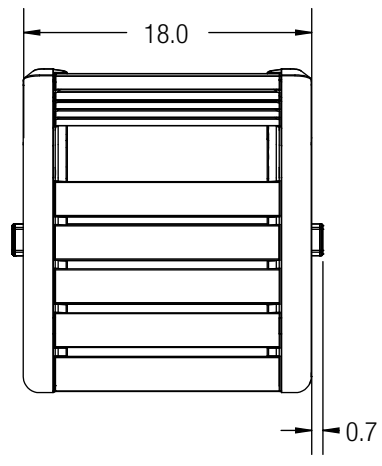


8 7 6 5 4 3 2 1

D
C
B
A

D
C
B
A



CUSTOMER APPROVAL:

X _____

DATE:

X _____

UNLESS OTHERWISE SPECIFIED,
DIMENSIONS ARE IN INCHES
TOLERANCES (UNLESS OTHERWISE
SPECIFIED):
FRACTIONAL: ± 1/32
ANGULAR/BEND: ± 1°
TWO PLACE DECIMAL ± .030
THREE PLACE DECIMAL ± .020
MATERIAL: SEE DATA SHEET
FINISH: SEE DATA SHEET
WEIGHT: 33 LBS
SOURCE: -
SCALE: N.T.S.

FORMS+SURFACES® 30 Pine Street, Pittsburgh, PA 15223
Tel (800) 451-0410 Fax (412) 781-7840

NAME	DATE
DWN MDW	06/28/2013
DO NOT SCALE DRAWING	
PROPRIETARY AND CONFIDENTIAL THE INFORMATION CONTAINED IN THIS DRAWING IS THE SOLE PROPERTY OF FORMS + SURFACES. ANY REPRODUCTION IN PART OR AS A WHOLE WITHOUT WRITTEN PERMISSION IS PROHIBITED.	

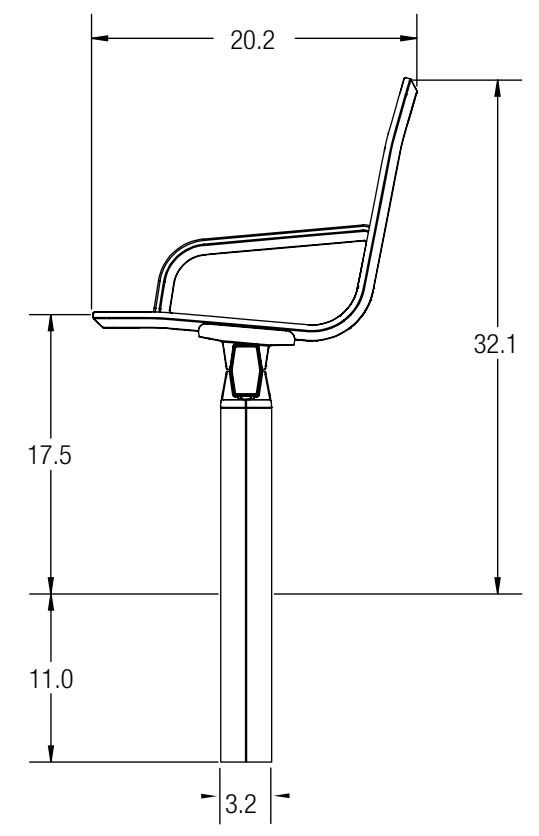
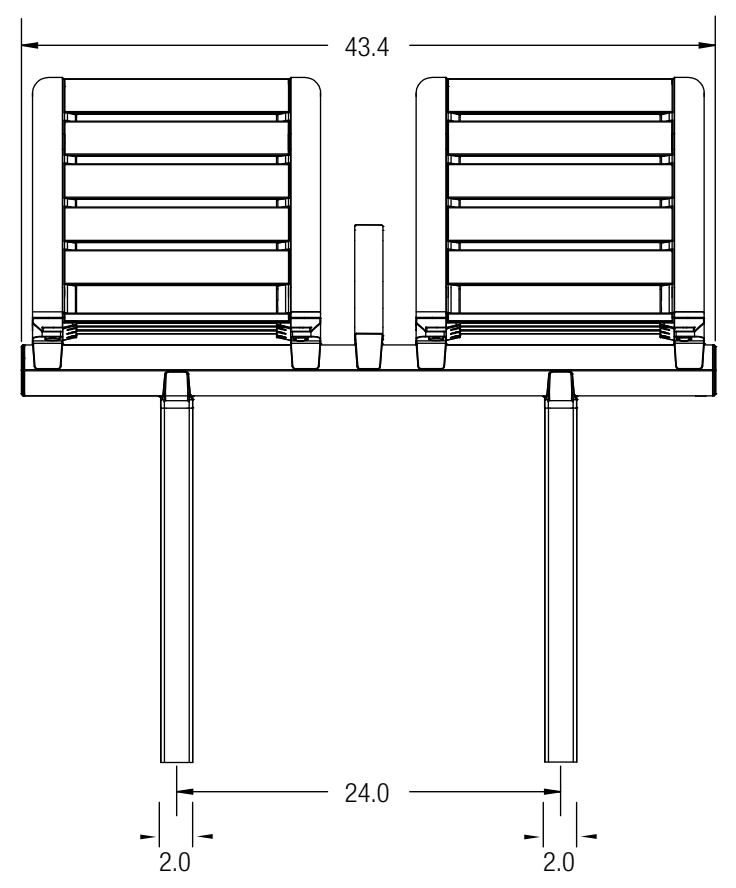
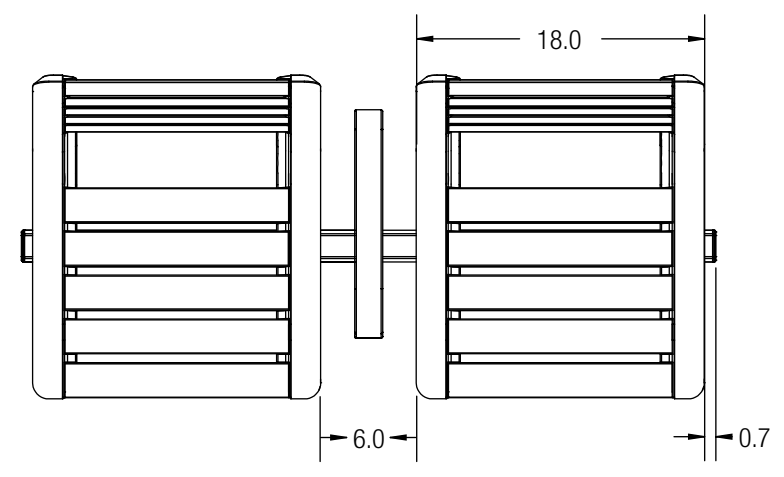
TANGENT RAIL SEATING 1 BACKED SEAT, SLAT SEAT, CAST-IN-PLACE SRTAN-1BA, SRTAN-1BW			
SIZE B	DWG. NO. SRTAN-1B-CIP	REV A.0	SHEET 1 OF 1

8 7 6 5 4 3 2 1

8 7 6 5 4 3 2 1

D
C
B
A

D
C
B
A



CUSTOMER APPROVAL:

X _____

DATE:

X _____

UNLESS OTHERWISE SPECIFIED,
DIMENSIONS ARE IN INCHES
TOLERANCES (UNLESS OTHERWISE
SPECIFIED):
FRACTIONAL: ±1/32
ANGULAR/BEND: ±1°*
TWO PLACE DECIMAL ±.030
THREE PLACE DECIMAL ±.020
MATERIAL: SEE DATA SHEET
FINISH: SEE DATA SHEET
WEIGHT: 73 LBS
SOURCE: -
SCALE: N.T.S.

FORMS+SURFACES® 30 Pine Street, Pittsburgh, PA 15223
Tel (800) 451-0410 Fax (412) 781-7840

NAME	DATE
DWN	MDW 06/28/2013

TANGENT RAIL SEATING 2 BACKED SEATS, SLAT SEATS, INTERMEDIATE ARMRESTS, CAST-IN-PLACE SRTAN-2BA, SRTAN-2BW			
SIZE	DWG. NO.	REV	SHEET
B	SRTAN-2B-CIP	A.0	1 OF 1

8 7 6 5 4 3 2 1

8 7 6 5 4 3 2 1

D

C

B

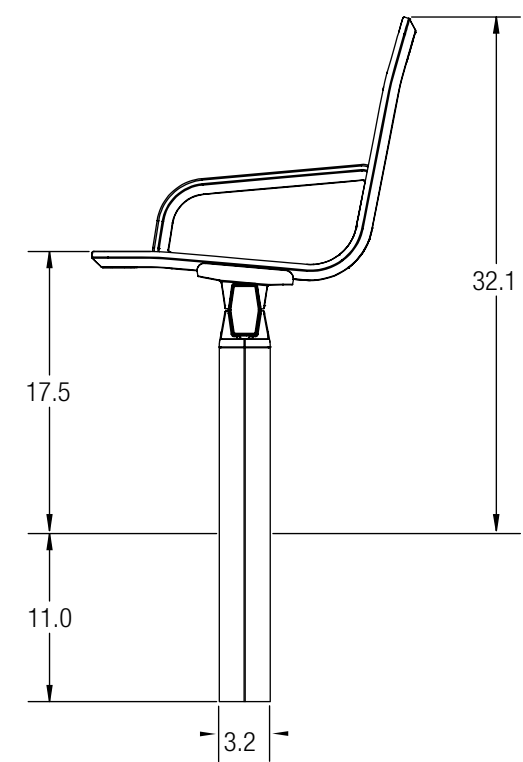
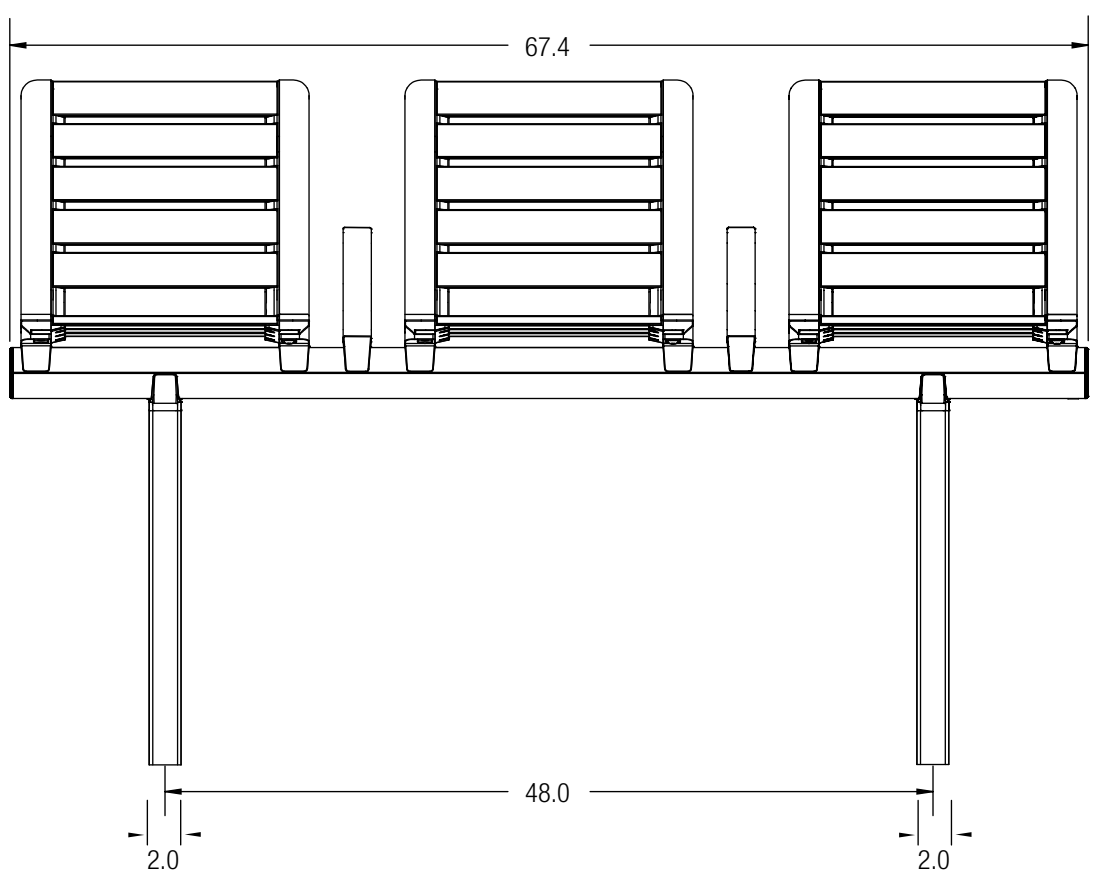
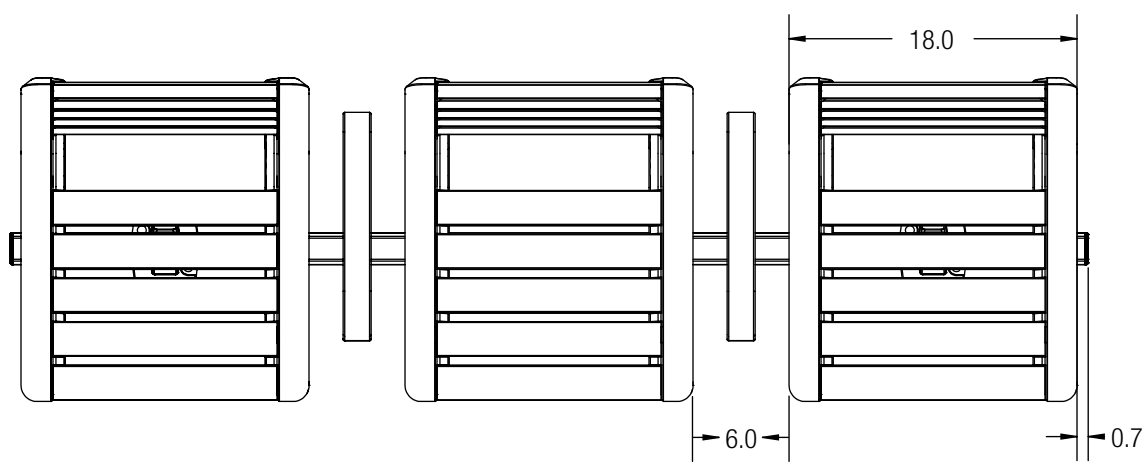
A

D

C

B

A



CUSTOMER APPROVAL:

X _____

DATE:

X _____

UNLESS OTHERWISE SPECIFIED,
DIMENSIONS ARE IN INCHES
TOLERANCES (UNLESS OTHERWISE
SPECIFIED):
FRACTIONAL: ±1/32
ANGULAR/BEND: ±1°*
TWO PLACE DECIMAL ±.030
THREE PLACE DECIMAL ±.020
MATERIAL: SEE DATA SHEET
FINISH: SEE DATA SHEET
WEIGHT: 107 LBS
SOURCE: -
SCALE: N.T.S.

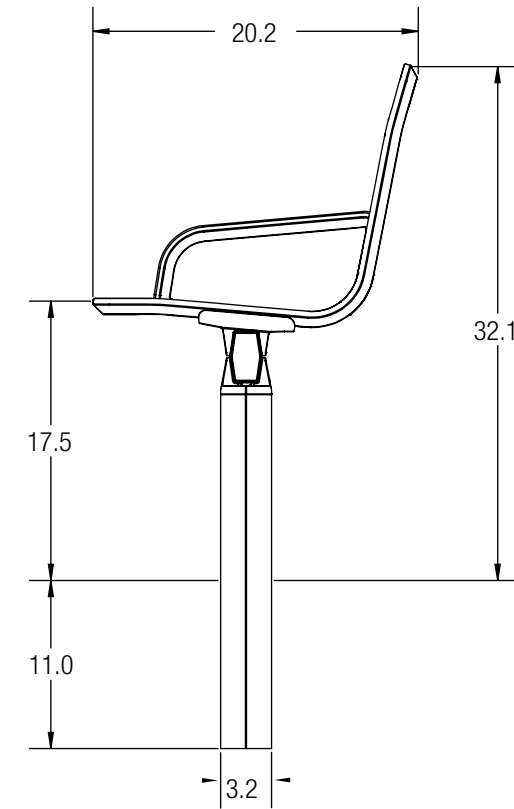
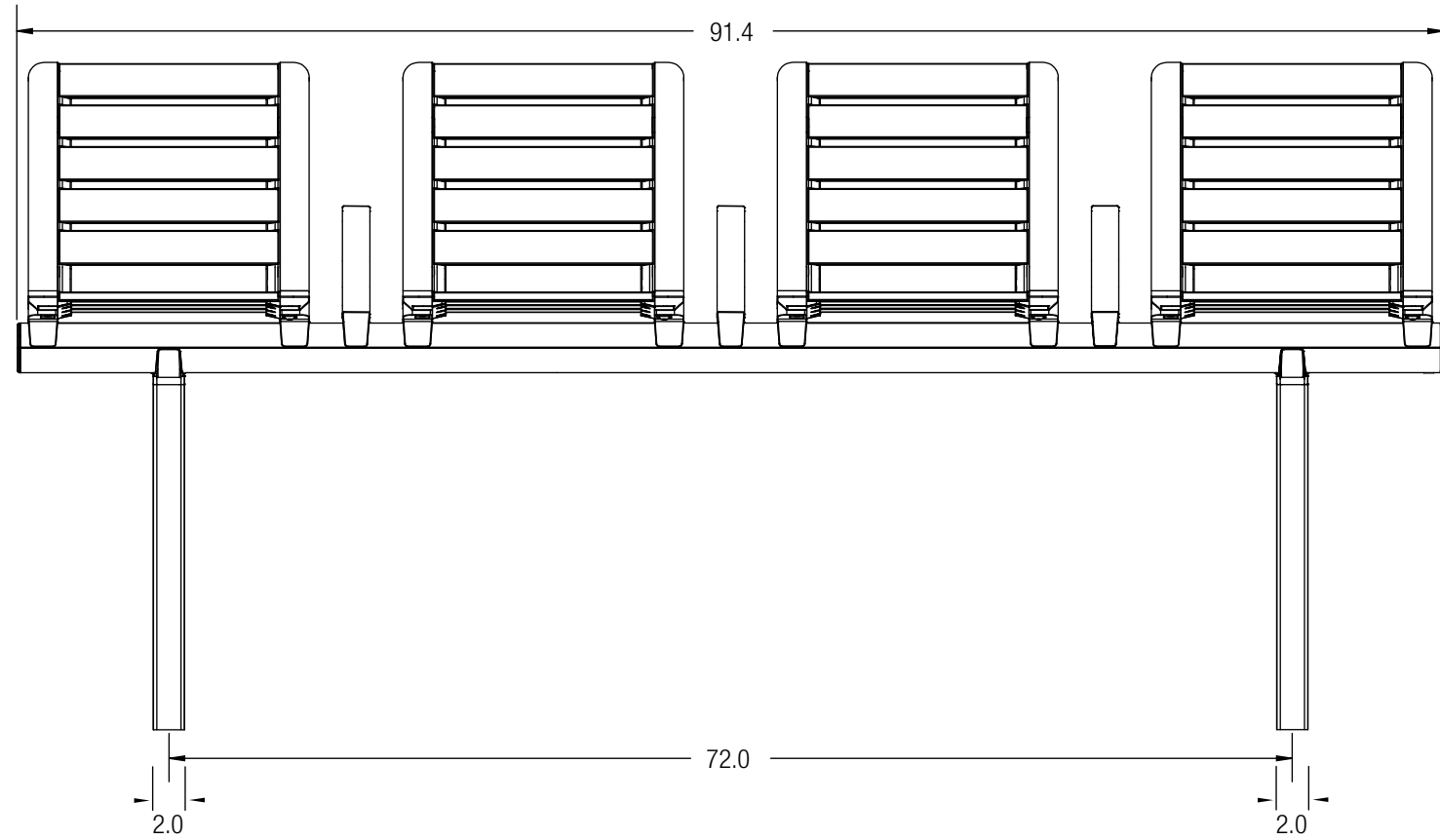
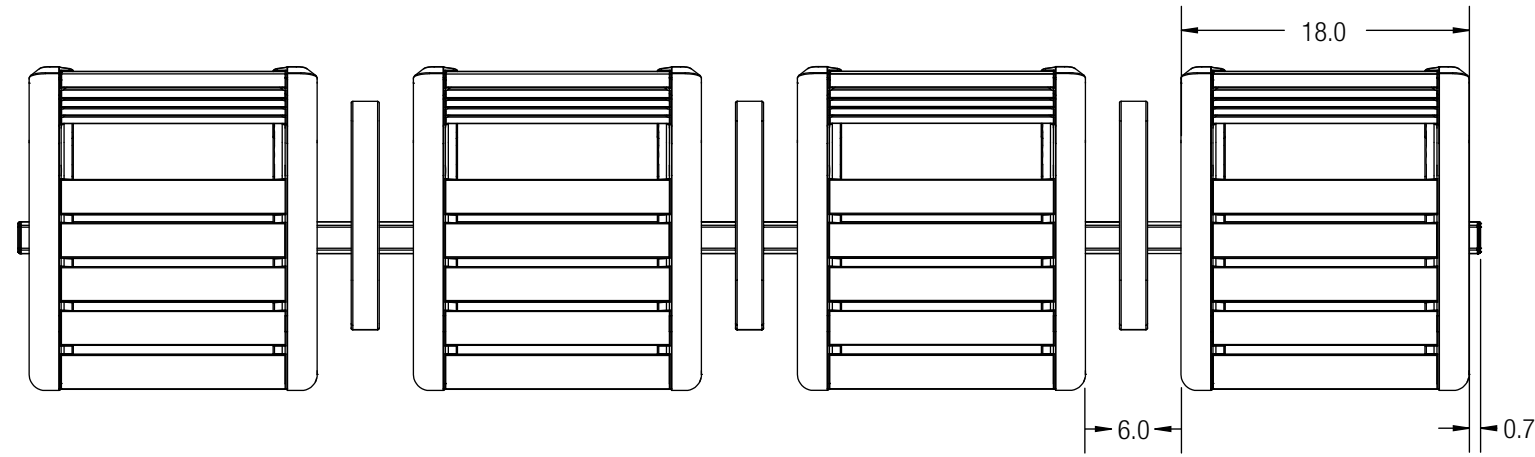
FORMS+SURFACES® 30 Pine Street, Pittsburgh, PA 15223
Tel (800) 451-0410 Fax (412) 781-7840

NAME	DATE
DWN	06/28/2013

TANGENT RAIL SEATING 3 BACKED SEATS, SLAT SEATS, INTERMEDIATE ARMRESTS, CAST-IN-PLACE SRTAN-3BA, SRTAN-3BW			
DO NOT SCALE DRAWING	THE INFORMATION CONTAINED IN THIS DRAWING IS THE SOLE PROPERTY OF FORMS + SURFACES. ANY REPRODUCTION IN PART OR AS A WHOLE WITHOUT WRITTEN PERMISSION IS PROHIBITED.		
SIZE	DWG. NO.	REV	SHEET
B	SRTAN-3B-CIP	A.0	1 OF 1

8 7 6 5 4 3 2 1

8 7 6 5 4 3 2 1



CUSTOMER APPROVAL:

X _____

DATE:

X _____

UNLESS OTHERWISE SPECIFIED,
DIMENSIONS ARE IN INCHES
TOLERANCES (UNLESS OTHERWISE
SPECIFIED):
FRACTIONAL: ±1/32
ANGULAR/BEND: ±1°
TWO PLACE DECIMAL ±.030
THREE PLACE DECIMAL ±.020
MATERIAL: SEE DATA SHEET
FINISH: SEE DATA SHEET
WEIGHT: 141 LBS
SOURCE: -
SCALE: N.T.S.

FORMS+SURFACES® 30 Pine Street, Pittsburgh, PA 15223
Tel (800) 451-0410 Fax (412) 781-7840

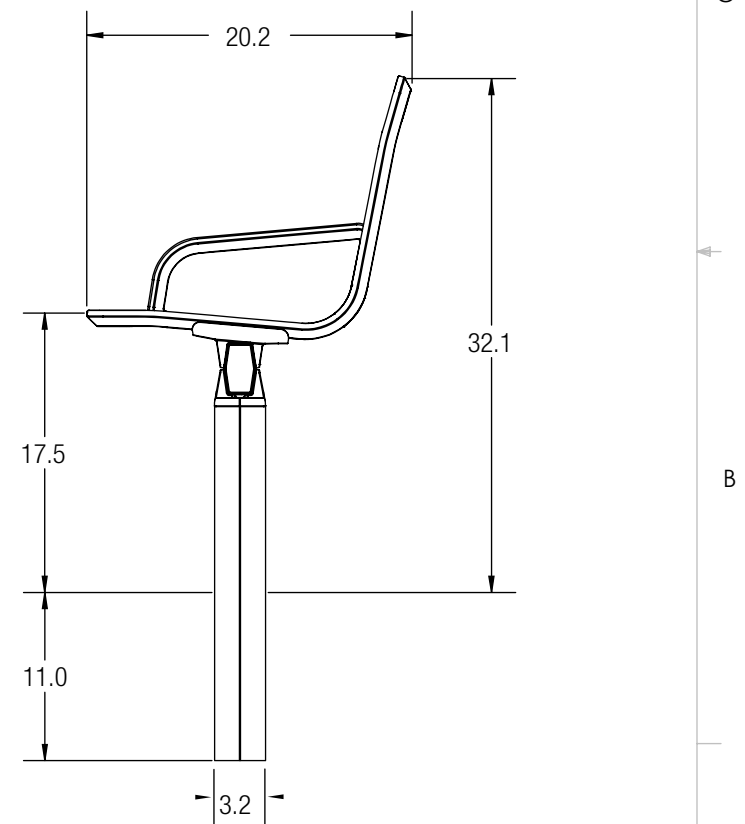
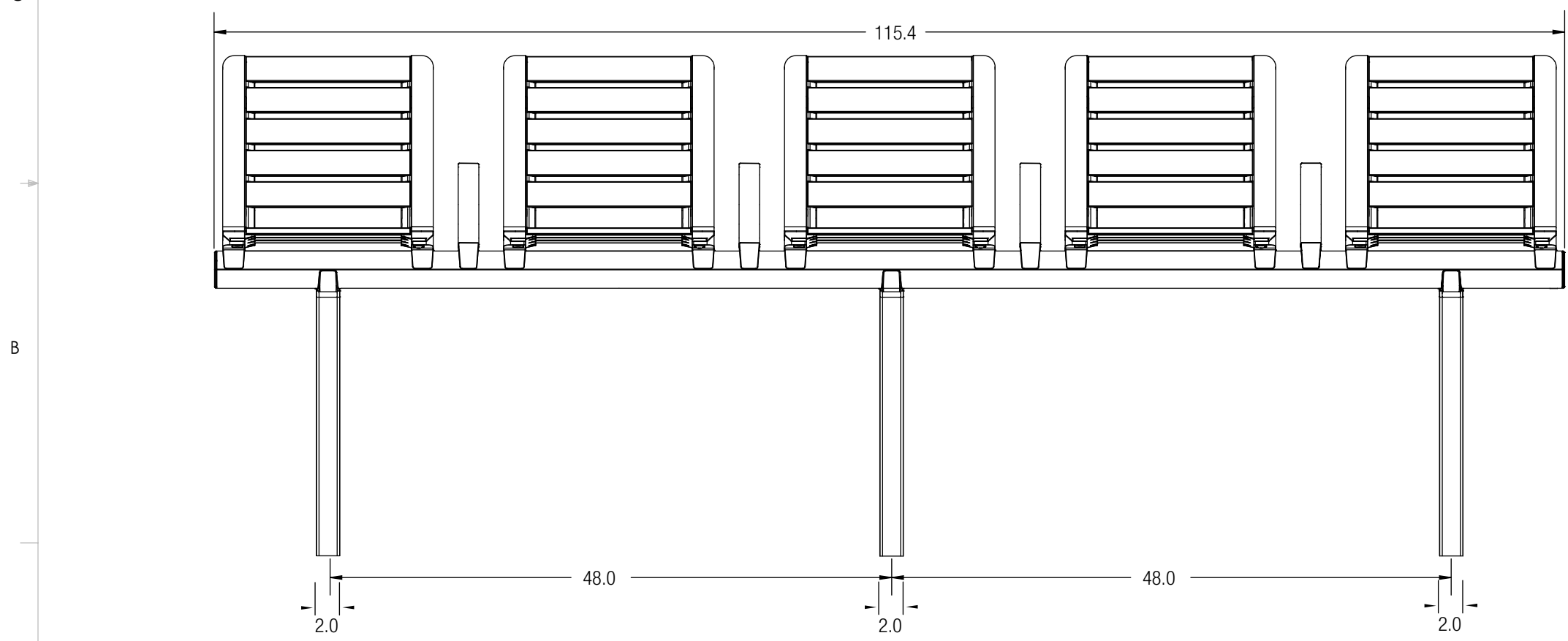
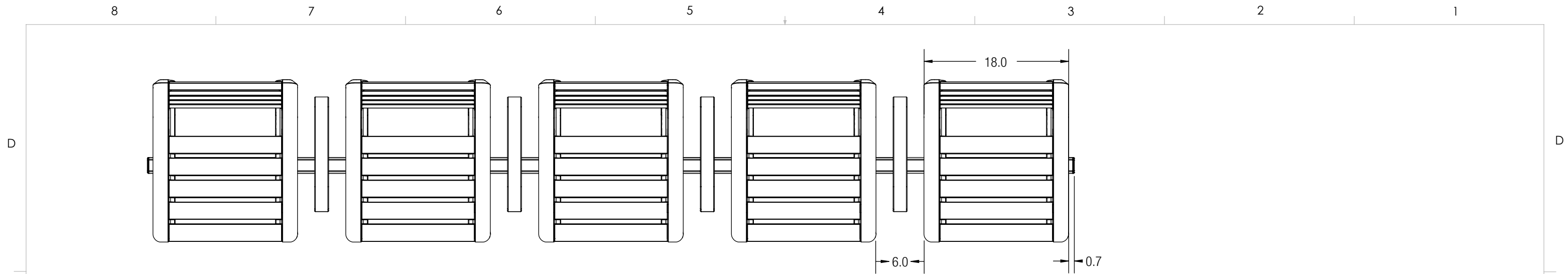
NAME	DATE
DWN MDW	06/28/2013

DO NOT SCALE DRAWING

PROPRIETARY AND CONFIDENTIAL
THE INFORMATION CONTAINED IN THIS
DRAWING IS THE SOLE PROPERTY OF
FORMS + SURFACES. ANY REPRODUCTION
IN PART OR AS A WHOLE WITHOUT
WRITTEN PERMISSION IS PROHIBITED.

TANGENT RAIL SEATING 4 BACKED SEATS, SLAT SEATS, INTERMEDIATE ARMRESTS, CAST-IN-PLACE SRTAN-4BA, SRTAN-4BW			
SIZE	DWG. NO.	REV	SHEET
B	SRTAN-4B-CIP	A.0	1 OF 1

8 7 6 5 4 3 2 1



CUSTOMER APPROVAL:

X _____

DATE:

X _____

UNLESS OTHERWISE SPECIFIED, DIMENSIONS ARE IN INCHES

TOLERANCES (UNLESS OTHERWISE SPECIFIED):
 FRACTIONAL: $\pm 1/32$
 ANGULAR/BEND: $\pm 1^\circ$
 TWO PLACE DECIMAL: $\pm .030$
 THREE PLACE DECIMAL: $\pm .020$

MATERIAL: SEE DATA SHEET

FINISH: SEE DATA SHEET

WEIGHT: 181 LBS

SOURCE: -

SCALE: N.T.S.

FORMS+SURFACES® 30 Pine Street, Pittsburgh, PA 15223
 Tel (800) 451-0410 Fax (412) 781-7840

NAME	DATE
DWN	MDW 06/28/2013

DO NOT SCALE DRAWING

PROPRIETARY AND CONFIDENTIAL
 THE INFORMATION CONTAINED IN THIS DRAWING IS THE SOLE PROPERTY OF FORMS + SURFACES. ANY REPRODUCTION IN PART OR AS A WHOLE WITHOUT WRITTEN PERMISSION IS PROHIBITED.

TANGENT RAIL SEATING
 5 BACKED SEATS, SLAT SEATS,
 INTERMEDIATE ARMRESTS,
 CAST-IN-PLACE
 SRTAN-5BA, SRTAN-5BW

SIZE	DWG. NO.	REV	SHEET
B	SRTAN-5B-CIP	A.0	1 OF 1