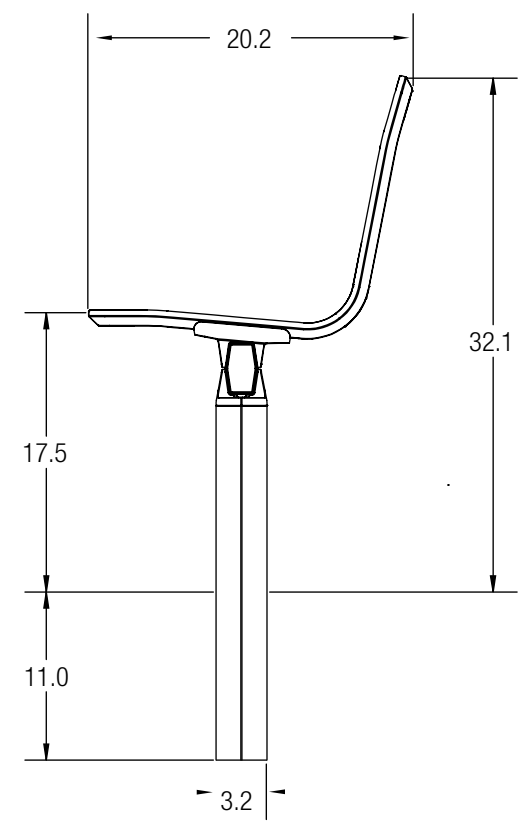
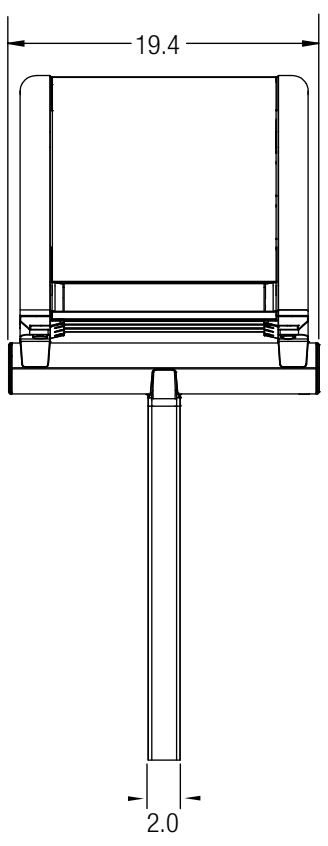
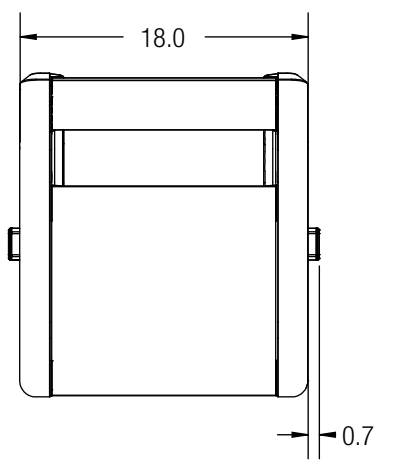


8 7 6 5 4 3 2 1

D
C
B
A



CUSTOMER APPROVAL:

X _____

DATE:

X _____

UNLESS OTHERWISE SPECIFIED,
DIMENSIONS ARE IN INCHES
TOLERANCES (UNLESS OTHERWISE
SPECIFIED):
FRACTIONAL: ± 1/32
ANGULAR/BEND: ± 1°
TWO PLACE DECIMAL ± .030
THREE PLACE DECIMAL ± .020
MATERIAL: SEE DATA SHEET
FINISH: SEE DATA SHEET
WEIGHT: 39 LBS
SOURCE: -
SCALE: N.T.S.

FORMS+SURFACES® 30 Pine Street, Pittsburgh, PA 15223
Tel (800) 451-0410 Fax (412) 781-7840

NAME	DATE
DWN MDW	06/28/2013

TANGENT RAIL SEATING 1 BACKED SEAT, PAN SEAT CAST-IN-PLACE SRTAN-1BS			
SIZE	DWG. NO.	REV	SHEET
B	SRTAN-1BS-CIP	A.0	1 OF 1

8 7 6 5 4 3 2 1

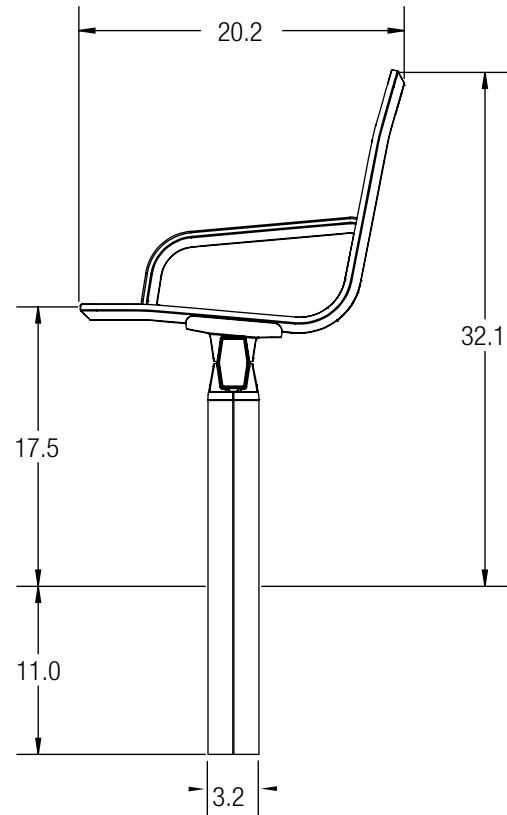
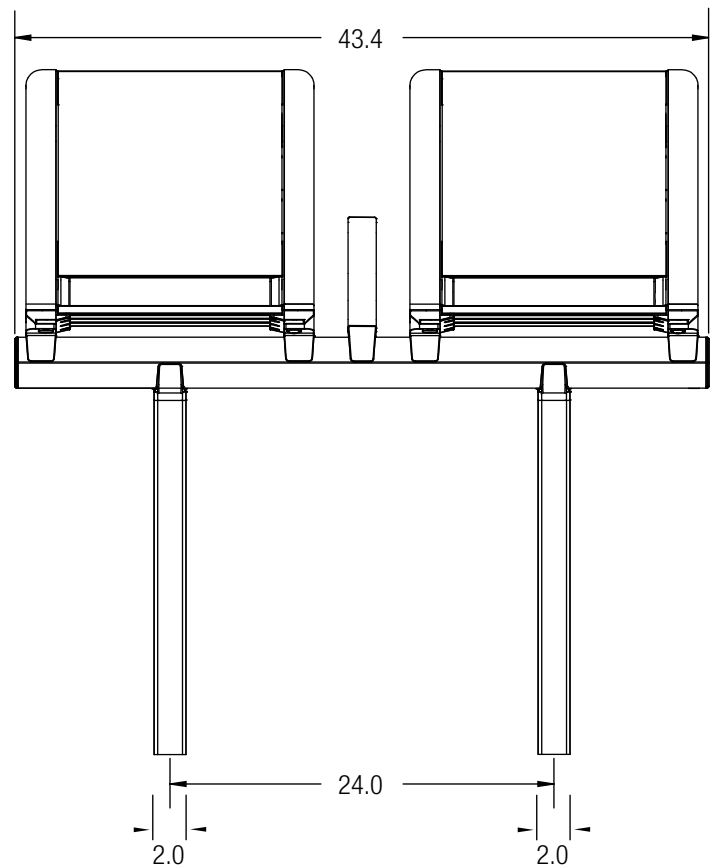
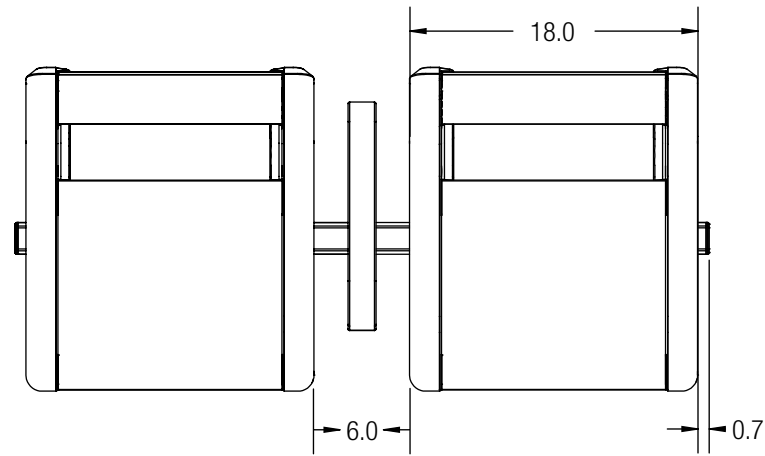
8 7 6 5 4 3 2 1

D

C

B

A



CUSTOMER APPROVAL:

X _____

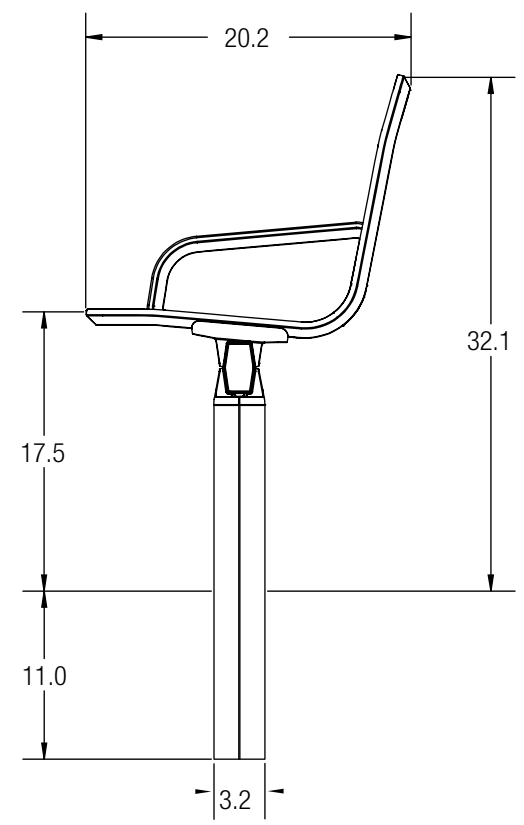
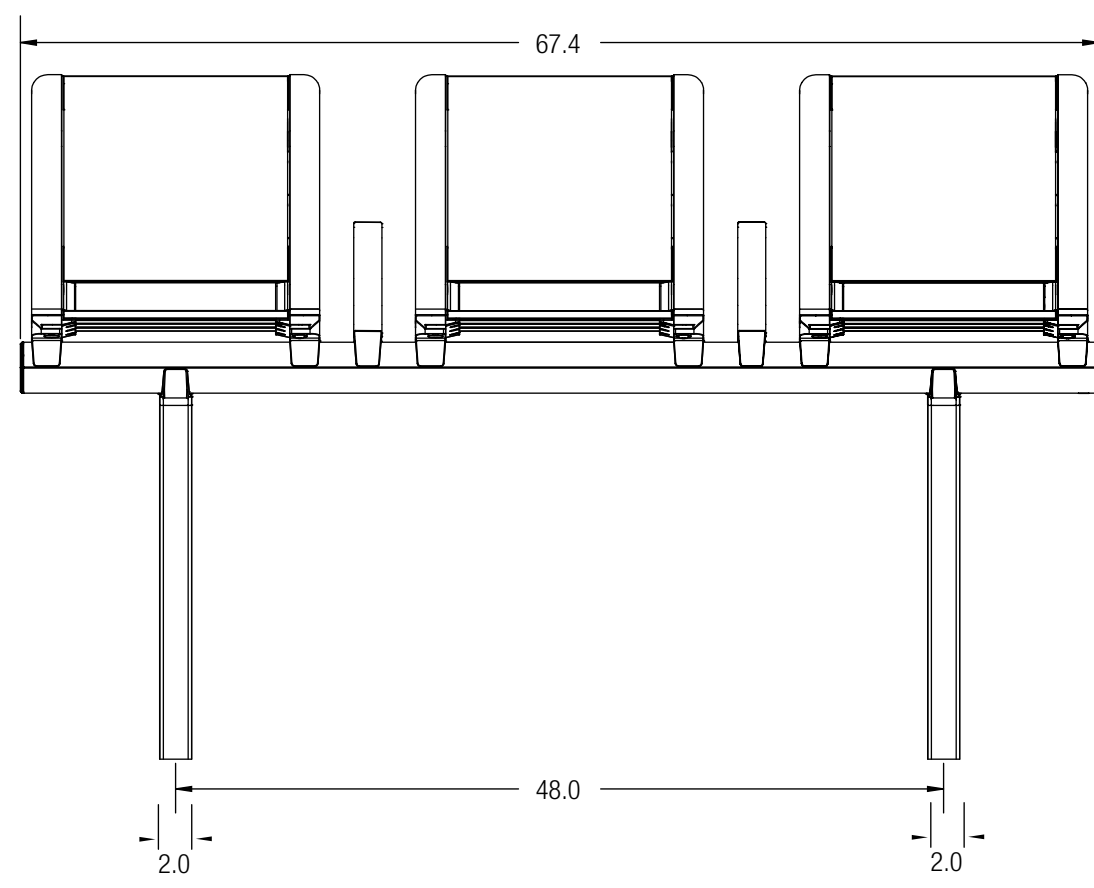
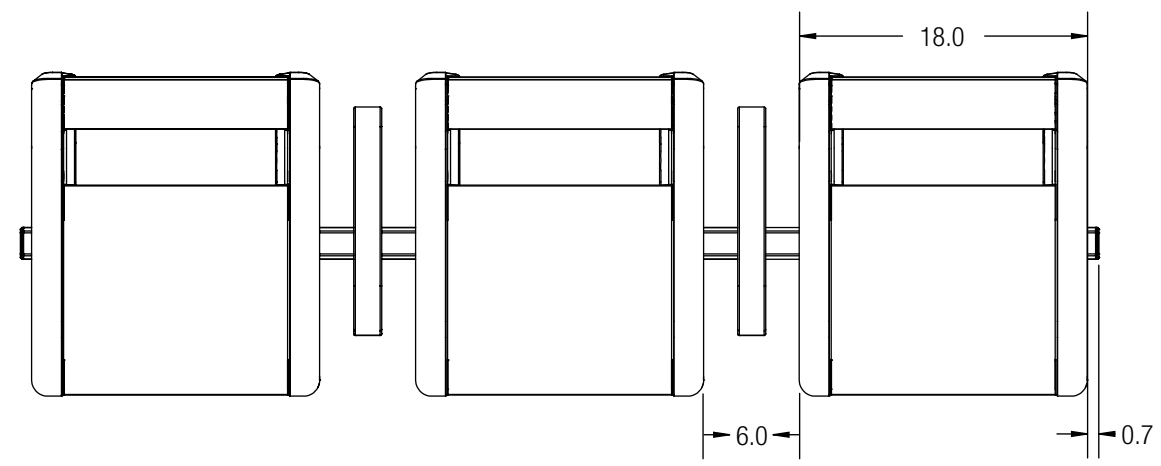
DATE:

X _____

UNLESS OTHERWISE SPECIFIED, DIMENSIONS ARE IN INCHES		FORMS+SURFACES ® 30 Pine Street, Pittsburgh, PA 15223 Tel (800) 451-0410 Fax (412) 781-7840	
TOLERANCES (UNLESS OTHERWISE SPECIFIED): FRACTIONAL: ±1/32 ANGULAR/BEND: ±1° TWO PLACE DECIMAL ±.030 THREE PLACE DECIMAL ±.020		NAME	DATE
MATERIAL: SEE DATA SHEET		DWN	MDW 06/28/2013
FINISH: SEE DATA SHEET		DO NOT SCALE DRAWING	
WEIGHT: 85 LBS		PROPRIETARY AND CONFIDENTIAL	
SOURCE: -		THE INFORMATION CONTAINED IN THIS DRAWING IS THE SOLE PROPERTY OF FORMS + SURFACES. ANY REPRODUCTION IN PART OR AS A WHOLE WITHOUT WRITTEN PERMISSION IS PROHIBITED.	
SCALE: N.T.S.		SIZE	DWG. NO.
		B	SRTAN-2BS-CIP
		REV	SHEET
		A.0	1 OF 1

8 7 6 5 4 3 2 1

8 7 6 5 4 3 2 1



D
C
B
A

D
C
B
A

CUSTOMER APPROVAL:

X _____

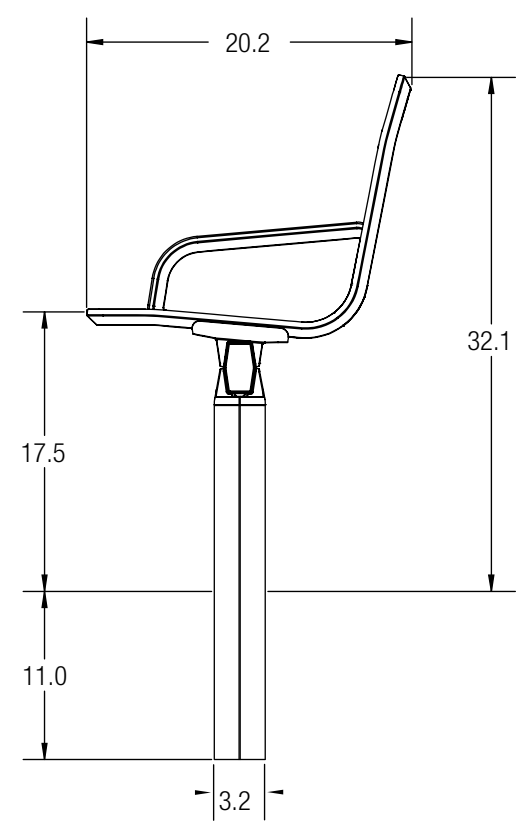
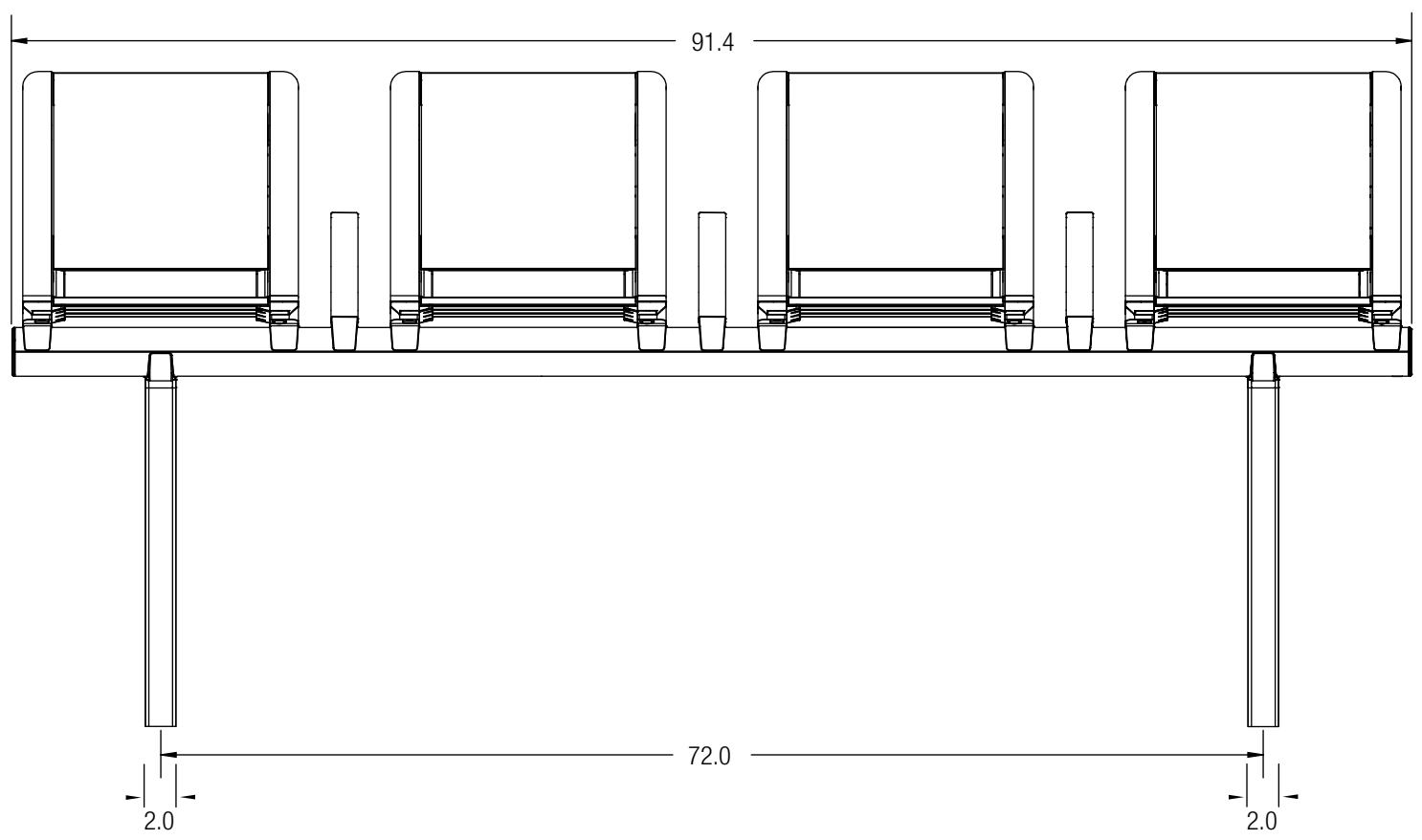
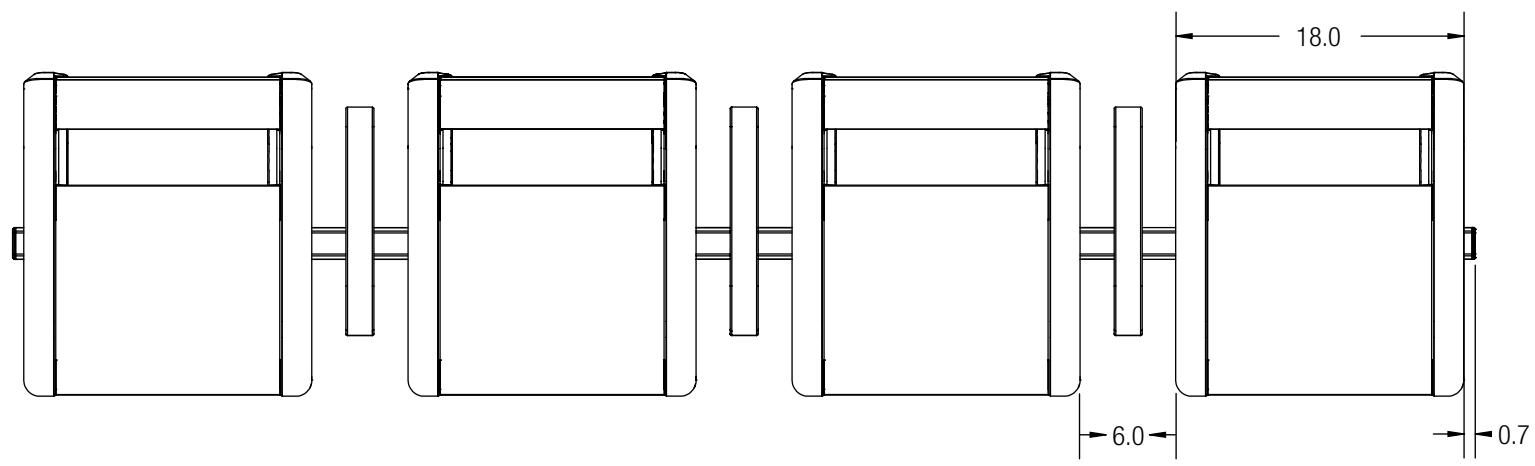
DATE:

X _____

UNLESS OTHERWISE SPECIFIED, DIMENSIONS ARE IN INCHES		FORMS+SURFACES ® 30 Pine Street, Pittsburgh, PA 15223 Tel (800) 451-0410 Fax (412) 781-7840	
TOLERANCES (UNLESS OTHERWISE SPECIFIED): FRACTIONAL: ±1/32 ANGULAR/BEND: ±1° TWO PLACE DECIMAL ±.030 THREE PLACE DECIMAL ±.020		NAME	DATE
MATERIAL: SEE DATA SHEET		DWN	MDW 06/28/2013
FINISH: SEE DATA SHEET	DO NOT SCALE DRAWING		
WEIGHT: 125 LBS	PROPRIETARY AND CONFIDENTIAL		
SOURCE: -	THE INFORMATION CONTAINED IN THIS DRAWING IS THE SOLE PROPERTY OF FORMS + SURFACES. ANY REPRODUCTION IN PART OR AS A WHOLE WITHOUT WRITTEN PERMISSION IS PROHIBITED.		
SCALE: N.T.S.	SIZE	DWG. NO.	REV SHEET
	B	SRTAN-3BS-CIP	A.0 1 OF 1

8 7 6 5 4 3 2 1

8 7 6 5 4 3 2 1



D
C
B
A

D
C
B
A

CUSTOMER APPROVAL:

X _____

DATE:

X _____

UNLESS OTHERWISE SPECIFIED,
DIMENSIONS ARE IN INCHES
TOLERANCES (UNLESS OTHERWISE
SPECIFIED):
FRACTIONAL: ± 1/32
ANGULAR/BEND: ± 1°
TWO PLACE DECIMAL ± .030
THREE PLACE DECIMAL ± .020
MATERIAL: SEE DATA SHEET
FINISH: SEE DATA SHEET
WEIGHT: 165 LBS
SOURCE: -
SCALE: N.T.S.

FORMS+SURFACES® 30 Pine Street, Pittsburgh, PA 15223
Tel (800) 451-0410 Fax (412) 781-7840

NAME	DATE
DWN MDW	06/28/2013

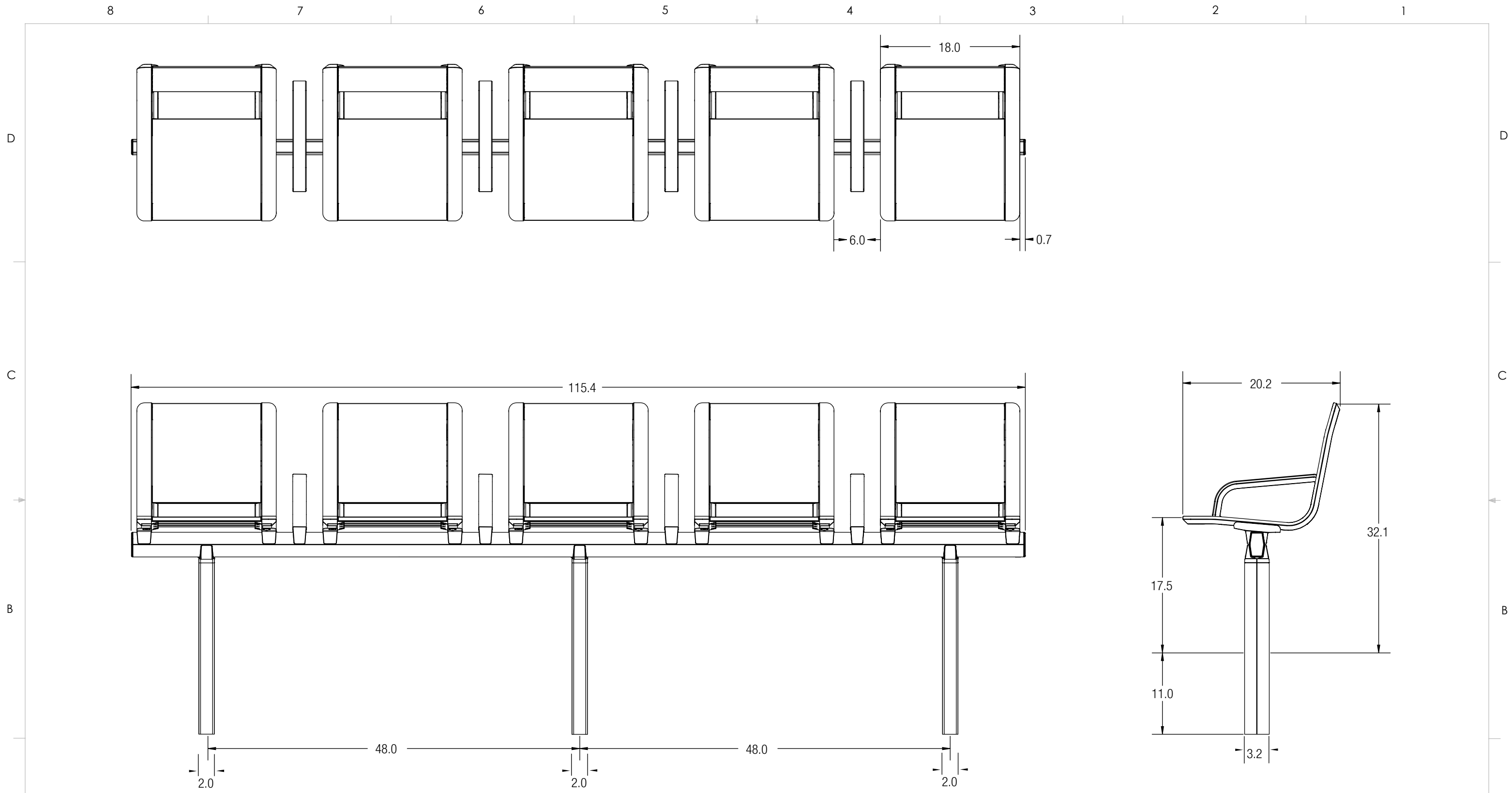
DO NOT SCALE DRAWING

PROPRIETARY AND CONFIDENTIAL

THE INFORMATION CONTAINED IN THIS DRAWING IS THE SOLE PROPERTY OF FORMS + SURFACES. ANY REPRODUCTION IN PART OR AS A WHOLE WITHOUT WRITTEN PERMISSION IS PROHIBITED.

TANGENT RAIL SEATING 4 BACKED SEATS, PAN SEATS, INTERMEDIATE ARMRESTS, CAST-IN-PLACE SRTAN-4BS			
SIZE	DWG. NO.	REV	SHEET
B	SRTAN-4BS-CIP	A.0	1 OF 1

8 7 6 5 4 3 2 1



CUSTOMER APPROVAL:

X _____

DATE:

X _____

UNLESS OTHERWISE SPECIFIED,
DIMENSIONS ARE IN INCHES

TOLERANCES (UNLESS OTHERWISE SPECIFIED):
FRACTIONAL: $\pm 1/32$
ANGULAR/BEND: $\pm 1^\circ$
TWO PLACE DECIMAL: $\pm .030$
THREE PLACE DECIMAL: $\pm .020$

MATERIAL: SEE DATA SHEET

FINISH: SEE DATA SHEET

WEIGHT: 211 LBS

SOURCE: -

SCALE: N.T.S.

FORMS+SURFACES® 30 Pine Street, Pittsburgh, PA 15223
Tel (800) 451-0410 Fax (412) 781-7840

NAME	DATE
DWN	MDW 06/28/2013

DO NOT SCALE DRAWING

PROPRIETARY AND CONFIDENTIAL
THE INFORMATION CONTAINED IN THIS DRAWING IS THE SOLE PROPERTY OF FORMS + SURFACES. ANY REPRODUCTION IN PART OR AS A WHOLE WITHOUT WRITTEN PERMISSION IS PROHIBITED.

TANGENT RAIL SEATING
5 BACKED SEATS, PAN SEATS,
INTERMEDIATE ARMRESTS,
CAST-IN-PLACE
SRTAN-5BS

SIZE	DWG. NO.	REV	SHEET
B	SRTAN-5BS-CIP	A.0	1 OF 1