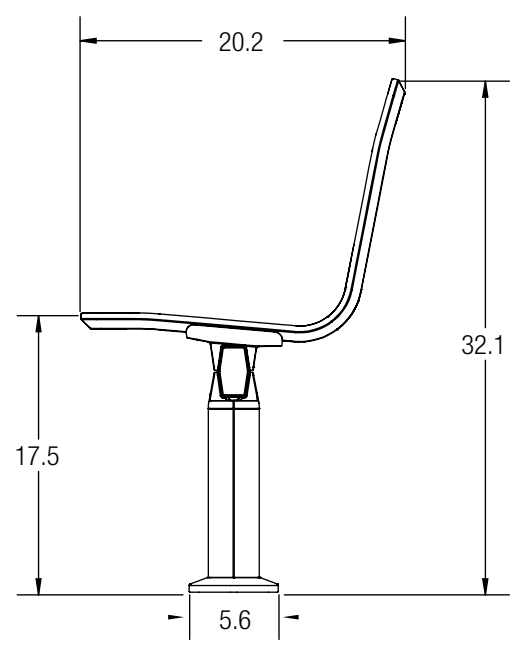
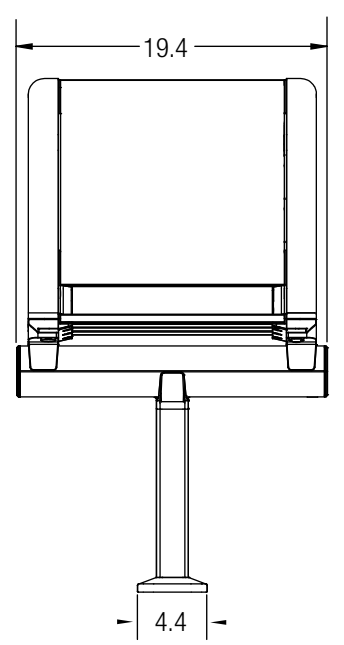
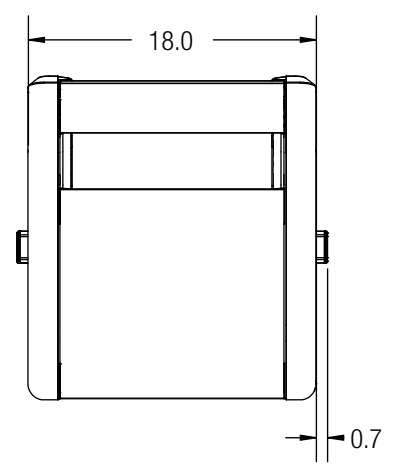


8 7 6 5 4 3 2 1

D
C
B
A

D
C
B
A



CUSTOMER APPROVAL:

X _____

DATE:

X _____

UNLESS OTHERWISE SPECIFIED,
DIMENSIONS ARE IN INCHES
TOLERANCES (UNLESS OTHERWISE
SPECIFIED):
FRACTIONAL: ±1/32
ANGULAR/BEND: ±1°*
TWO PLACE DECIMAL ±.030
THREE PLACE DECIMAL ±.020
MATERIAL: SEE DATA SHEET
FINISH: SEE DATA SHEET
WEIGHT: 42 LBS
SOURCE: -
SCALE: N.T.S.

FORMS+SURFACES® 30 Pine Street, Pittsburgh, PA 15223
Tel (800) 451-0410 Fax (412) 781-7840

| NAME | DATE |
|--|------------|
| DWN MDW | 06/28/2013 |
| DO NOT SCALE DRAWING | |
| PROPRIETARY AND CONFIDENTIAL | |
| THE INFORMATION CONTAINED IN THIS DRAWING IS THE SOLE PROPERTY OF FORMS + SURFACES. ANY REPRODUCTION IN PART OR AS A WHOLE WITHOUT WRITTEN PERMISSION IS PROHIBITED. | |

TANGENT RAIL SEATING
1 BACKED SEAT, PAN SEAT,
SURFACE MOUNT
SRTAN-1BS

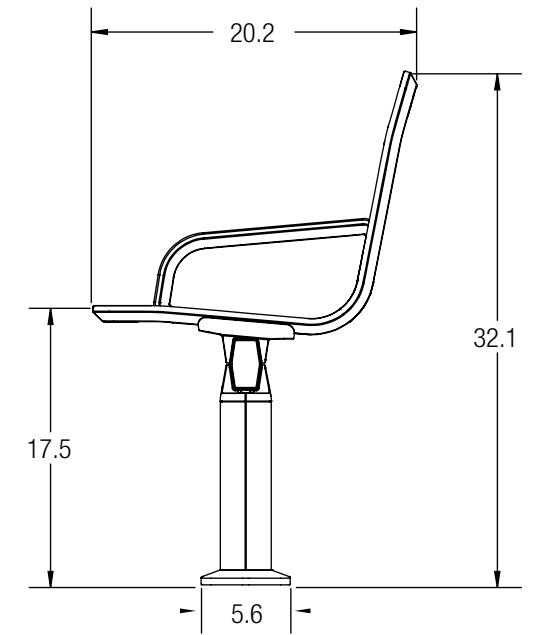
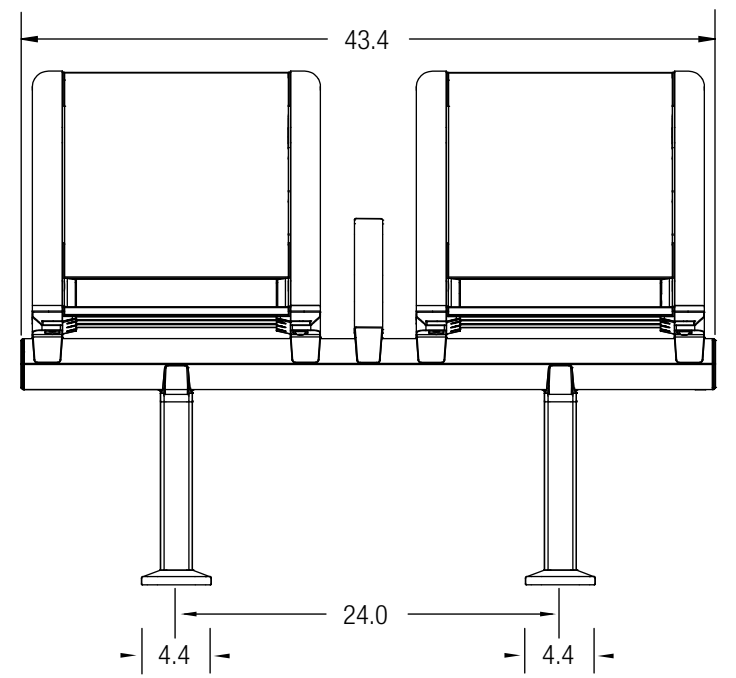
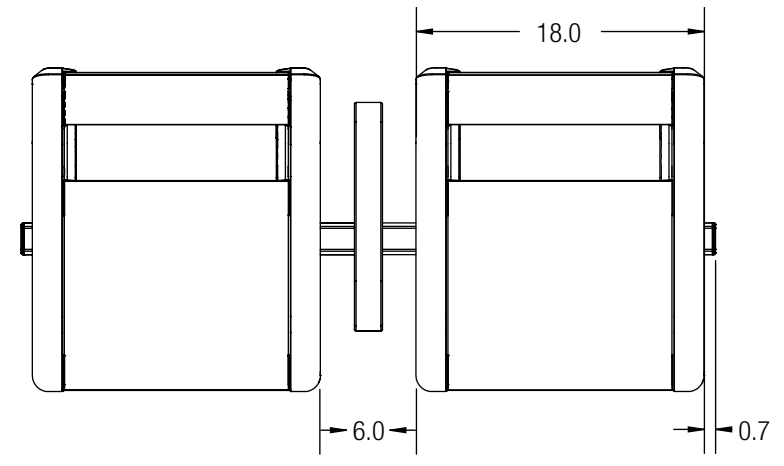
| SIZE | DWG. NO. | REV | SHEET |
|------|--------------|-----|--------|
| B | SRTAN-1BS-SM | A.0 | 1 OF 1 |

8 7 6 5 4 3 2 1

8 7 6 5 4 3 2 1

D
C
B
A

D
C
B
A



CUSTOMER APPROVAL:

X _____

DATE:

X _____

UNLESS OTHERWISE SPECIFIED,
DIMENSIONS ARE IN INCHES
TOLERANCES (UNLESS OTHERWISE
SPECIFIED):
FRACTIONAL: ±1/32
ANGULAR/BEND: ±1°
TWO PLACE DECIMAL ±.030
THREE PLACE DECIMAL ±.020
MATERIAL: SEE DATA SHEET
FINISH: SEE DATA SHEET
WEIGHT: 88 LBS
SOURCE: -
SCALE: N.T.S.

FORMS+SURFACES® 30 Pine Street, Pittsburgh, PA 15223
Tel (800) 451-0410 Fax (412) 781-7840

| NAME | DATE |
|--|----------------|
| DWN | MDW 06/28/2013 |
| DO NOT SCALE DRAWING | |
| PROPRIETARY AND CONFIDENTIAL THE INFORMATION CONTAINED IN THIS DRAWING IS THE SOLE PROPERTY OF FORMS + SURFACES. ANY REPRODUCTION IN PART OR AS A WHOLE WITHOUT WRITTEN PERMISSION IS PROHIBITED. | |

| | | | |
|--|--------------|-----|--------|
| TANGENT RAIL SEATING 2 BACKED SEATS, PAN SEATS, INTERMEDIATE ARMRESTS, SURFACE MOUNT SRTAN-2BS | | | |
| SIZE | DWG. NO. | REV | SHEET |
| B | SRTAN-2BS-SM | A.0 | 1 OF 1 |

8 7 6 5 4 3 2 1

8 7 6 5 4 3 2 1

D

C

B

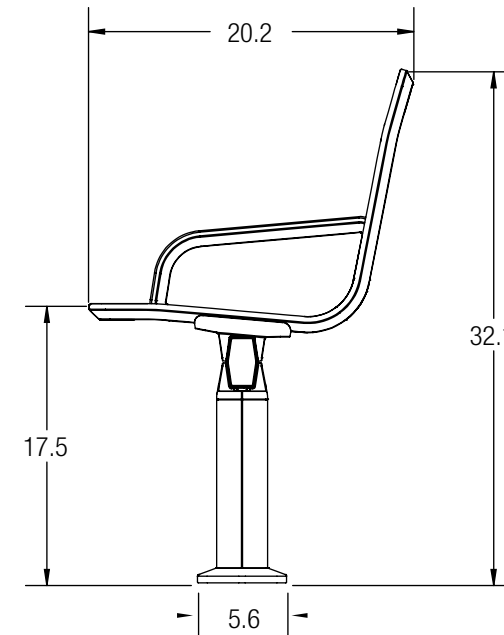
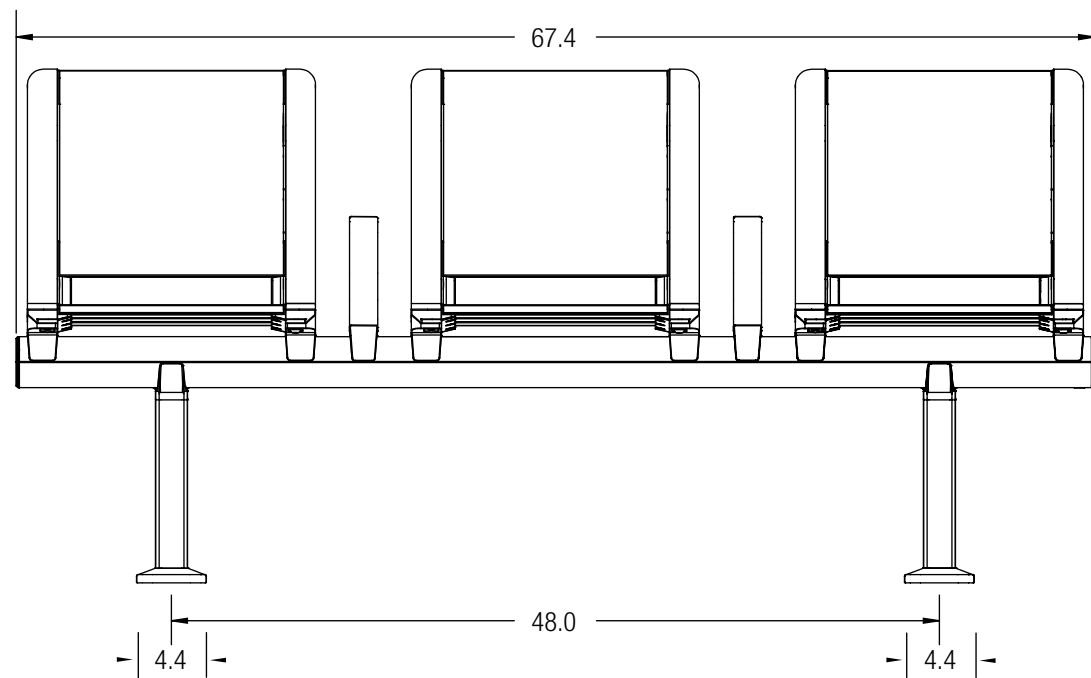
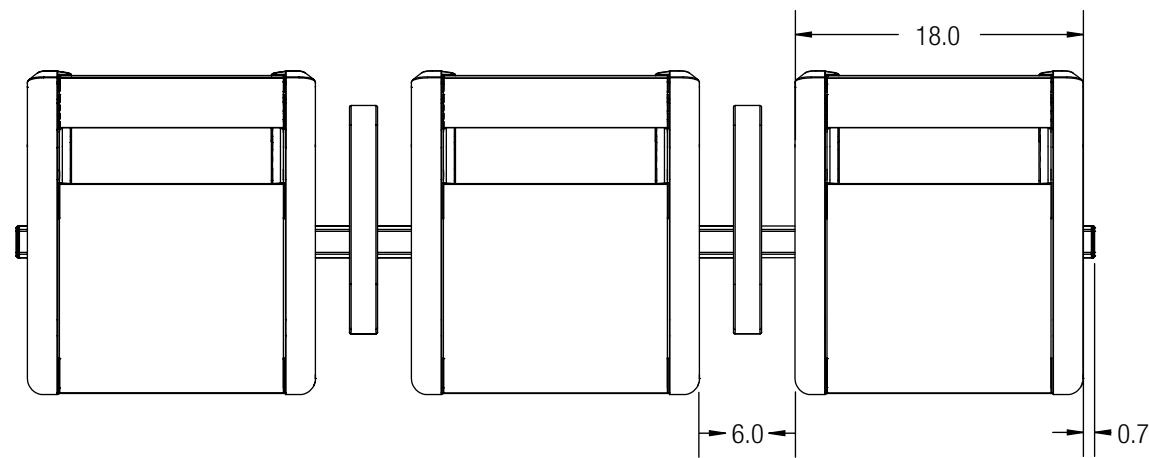
A

D

C

B

A



CUSTOMER APPROVAL:

X _____

DATE:

X _____

UNLESS OTHERWISE SPECIFIED,
DIMENSIONS ARE IN INCHES

TOLERANCES (UNLESS OTHERWISE SPECIFIED):
FRACTIONAL: $\pm 1/32$
ANGULAR/BEND: $\pm 1^\circ$
TWO PLACE DECIMAL: $\pm .030$
THREE PLACE DECIMAL: $\pm .020$
MATERIAL: SEE DATA SHEET

FINISH: SEE DATA SHEET

WEIGHT: 128 LBS

SOURCE: -

SCALE: N.T.S.

FORMS+SURFACES® 30 Pine Street, Pittsburgh, PA 15223
Tel (800) 451-0410 Fax (412) 781-7840

| NAME | DATE |
|------|----------------|
| DWN | MDW 06/28/2013 |

DO NOT SCALE DRAWING

PROPRIETARY AND CONFIDENTIAL

THE INFORMATION CONTAINED IN THIS DRAWING IS THE SOLE PROPERTY OF FORMS + SURFACES. ANY REPRODUCTION IN PART OR AS A WHOLE WITHOUT WRITTEN PERMISSION IS PROHIBITED.

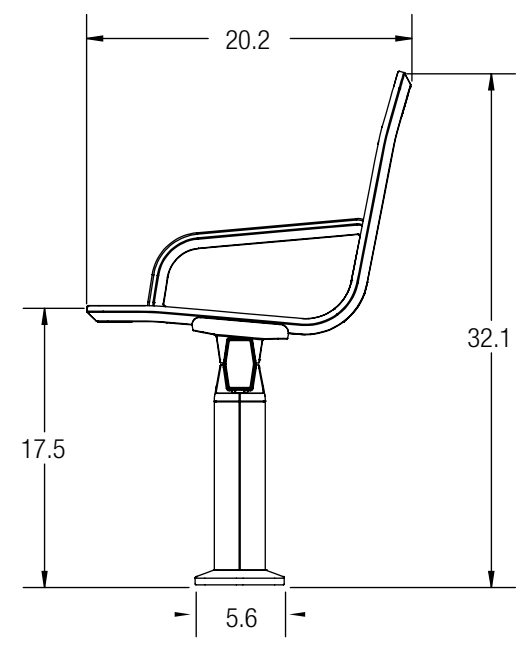
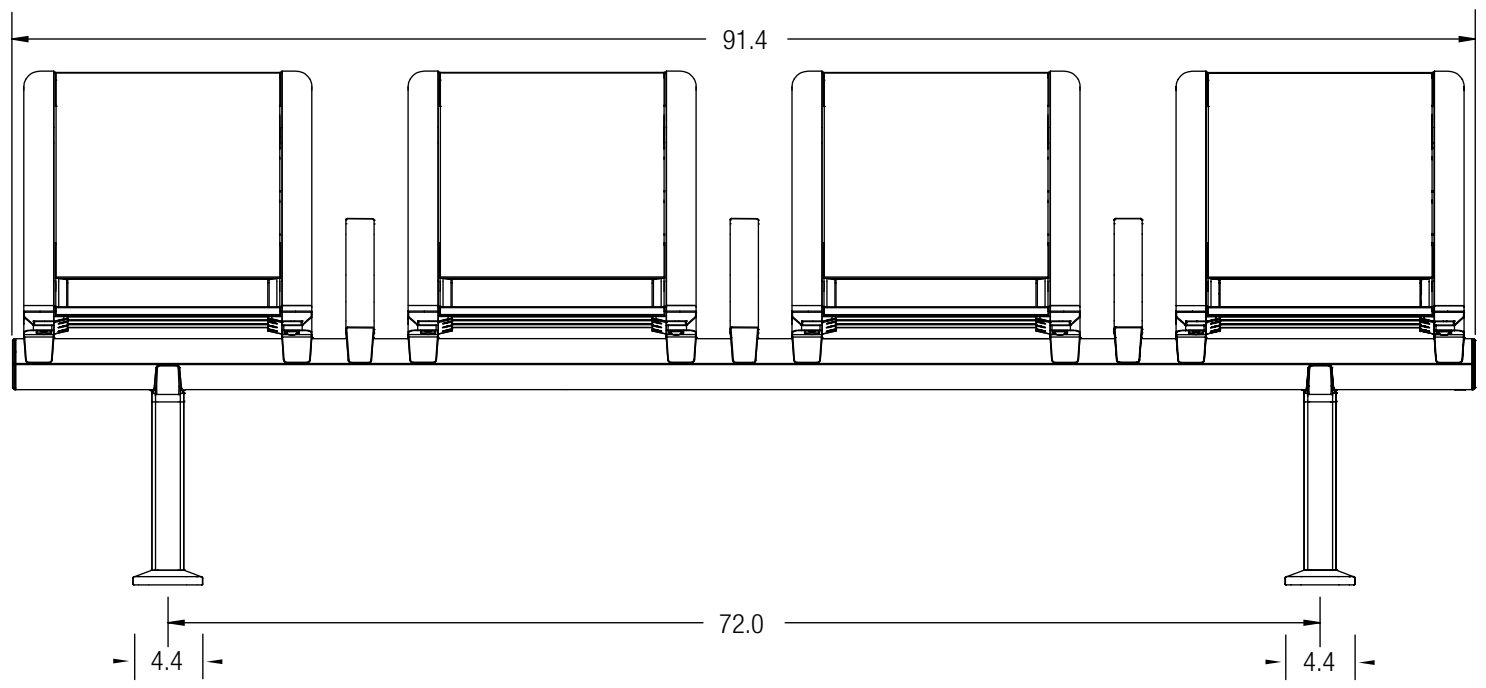
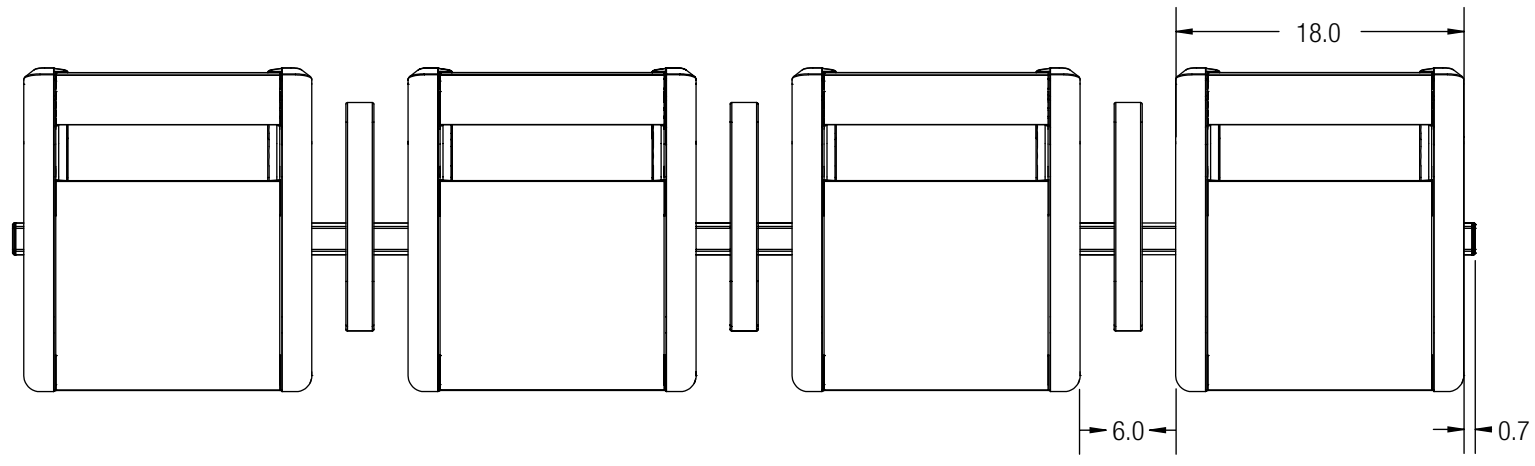
TANGENT RAIL SEATING
3 BACKED SEATS, PAN SEATS,
INTERMEDIATE ARMRESTS,
SURFACE MOUNT
SRTAN-3BS

| SIZE | DWG. NO. | REV | SHEET |
|------|--------------|-----|--------|
| B | SRTAN-3BS-SM | A.0 | 1 OF 1 |

8 7 6 5 4 3 2 1

8 7 6 5 4 3 2 1

D
C
B
A



CUSTOMER APPROVAL:

X _____

DATE:

X _____

UNLESS OTHERWISE SPECIFIED,
DIMENSIONS ARE IN INCHES
TOLERANCES (UNLESS OTHERWISE
SPECIFIED):
FRACTIONAL: ± 1/32
ANGULAR/BEND: ± 1°
TWO PLACE DECIMAL ± .030
THREE PLACE DECIMAL ± .020
MATERIAL: SEE DATA SHEET
FINISH: SEE DATA SHEET
WEIGHT: 167 LBS
SOURCE: -
SCALE: N.T.S.

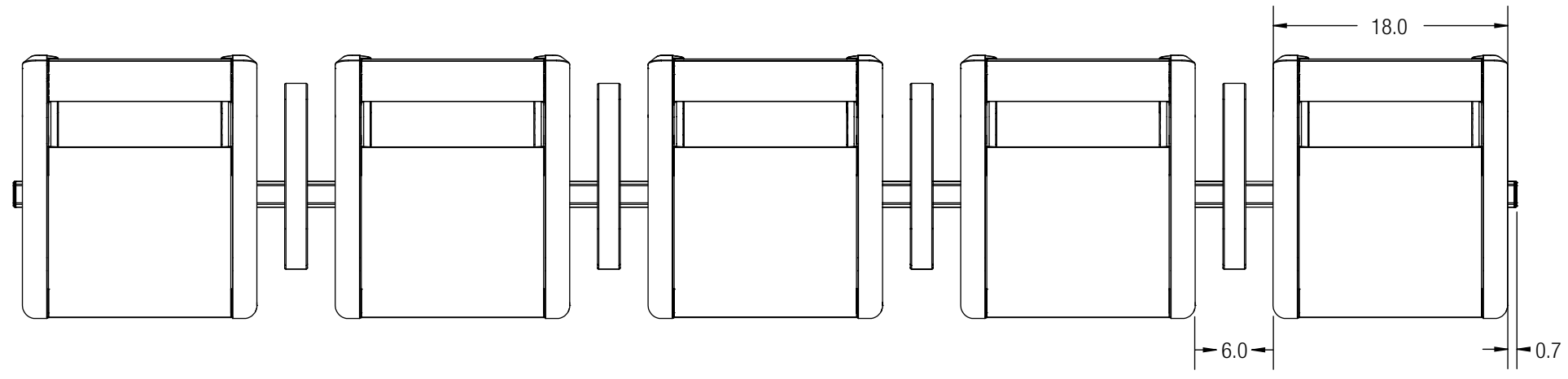
FORMS+SURFACES® 30 Pine Street, Pittsburgh, PA 15223
Tel (800) 451-0410 Fax (412) 781-7840

| NAME | DATE | | | |
|--|------|------------|--|-----------------|
| DWN | MDW | 06/28/2013 | TANGENT RAIL SEATING 4 BACKED SEATS, PAN SEATS, INTERMEDIATE ARMRESTS, SURFACE MOUNT SRTAN-4BS | |
| DO NOT SCALE DRAWING | | SIZE | DWG. NO. | REV |
| PROPRIETARY AND CONFIDENTIAL THE INFORMATION CONTAINED IN THIS DRAWING IS THE SOLE PROPERTY OF FORMS + SURFACES. ANY REPRODUCTION IN PART OR AS A WHOLE WITHOUT WRITTEN PERMISSION IS PROHIBITED. | | B | SRTAN-4BS-SM | A.0 |
| | | | | SHEET 1 OF 1 |

8 7 6 5 4 3 2 1

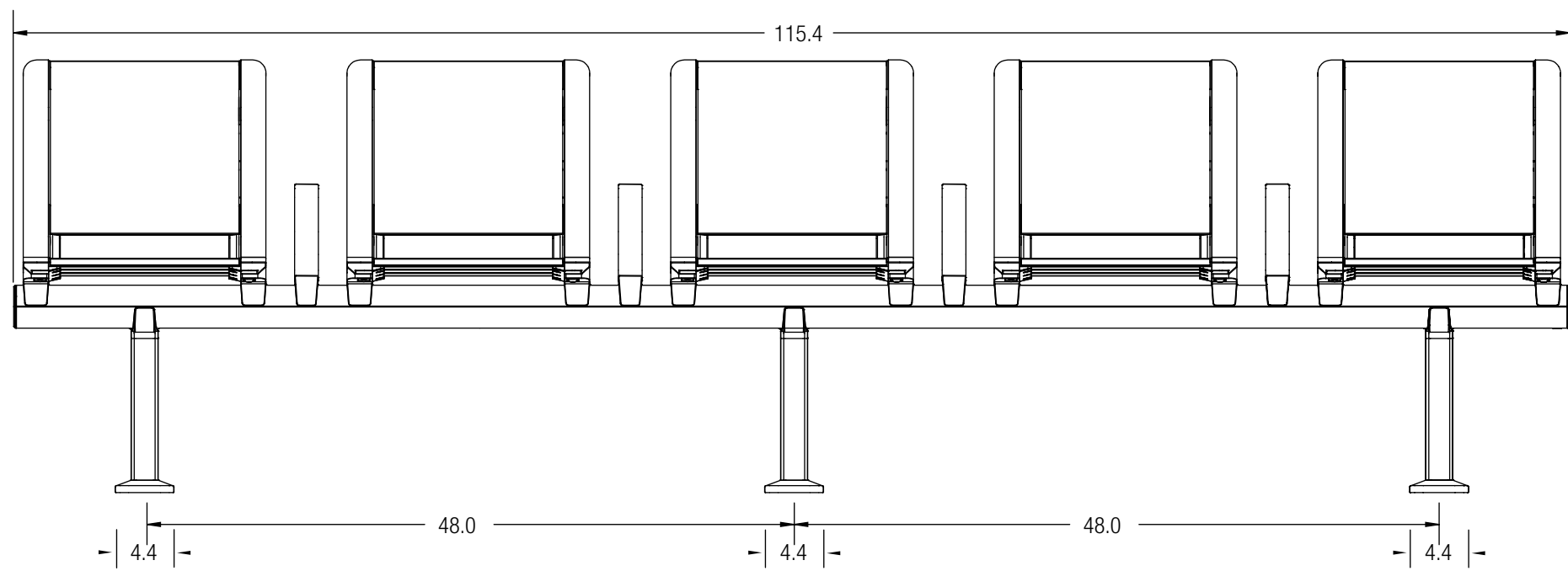
8 7 6 5 4 3 2 1

D



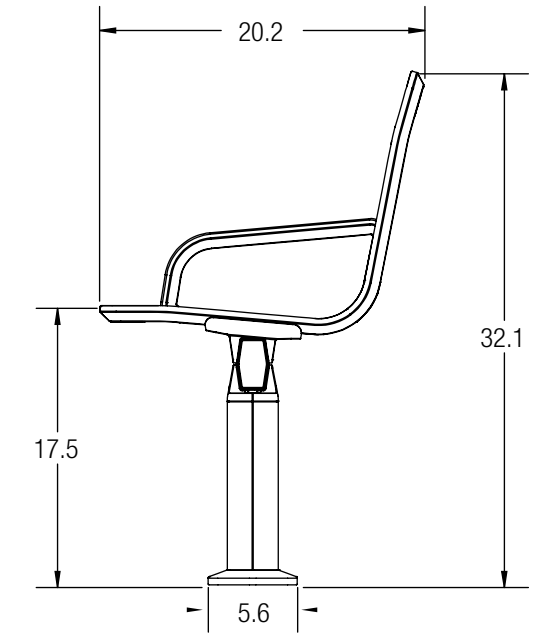
D

C



C

B



B

A

CUSTOMER APPROVAL:

X _____

DATE:

X _____

UNLESS OTHERWISE SPECIFIED,
DIMENSIONS ARE IN INCHES
TOLERANCES (UNLESS OTHERWISE
SPECIFIED):
FRACTIONAL: ±1/32
ANGULAR/BEND: ±1°
TWO PLACE DECIMAL ±.030
THREE PLACE DECIMAL ±.020
MATERIAL: SEE DATA SHEET
FINISH: SEE DATA SHEET
WEIGHT: 186 LBS
SOURCE: -
SCALE: N.T.S.

FORMS+SURFACES® 30 Pine Street, Pittsburgh, PA 15223
Tel (800) 451-0410 Fax (412) 781-7840

| NAME | DATE |
|--|----------------|
| DWN | MDW 06/28/2013 |
| DO NOT SCALE DRAWING | |
| PROPRIETARY AND CONFIDENTIAL | |
| THE INFORMATION CONTAINED IN THIS DRAWING IS THE SOLE PROPERTY OF FORMS + SURFACES. ANY REPRODUCTION IN PART OR AS A WHOLE WITHOUT WRITTEN PERMISSION IS PROHIBITED. | |

| | | | |
|--|--------------|-----|--------|
| TANGENT RAIL SEATING 5 BACKED SEATS, PAN SEATS, INTERMEDIATE ARMRESTS, SURFACE MOUNT SRTAN-5BS | | | |
| SIZE | DWG. NO. | REV | SHEET |
| B | SRTAN-5BS-SM | A.0 | 1 OF 1 |

8 7 6 5 4 3 2 1