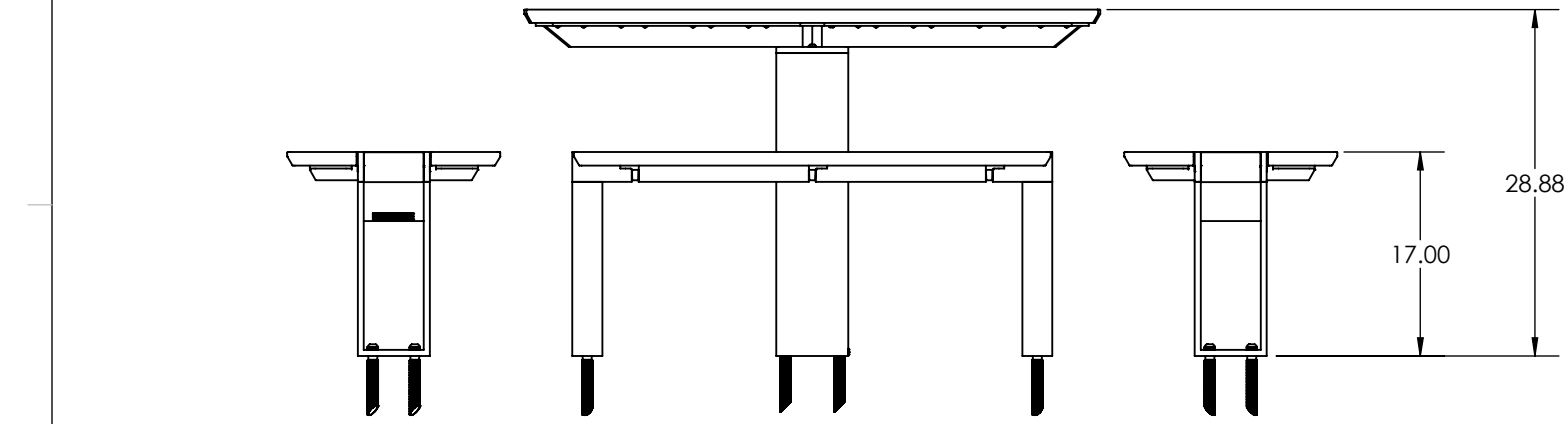


TOP VIEW

ISO VIEW



FRONT VIEW

CUSTOMER APPROVAL:

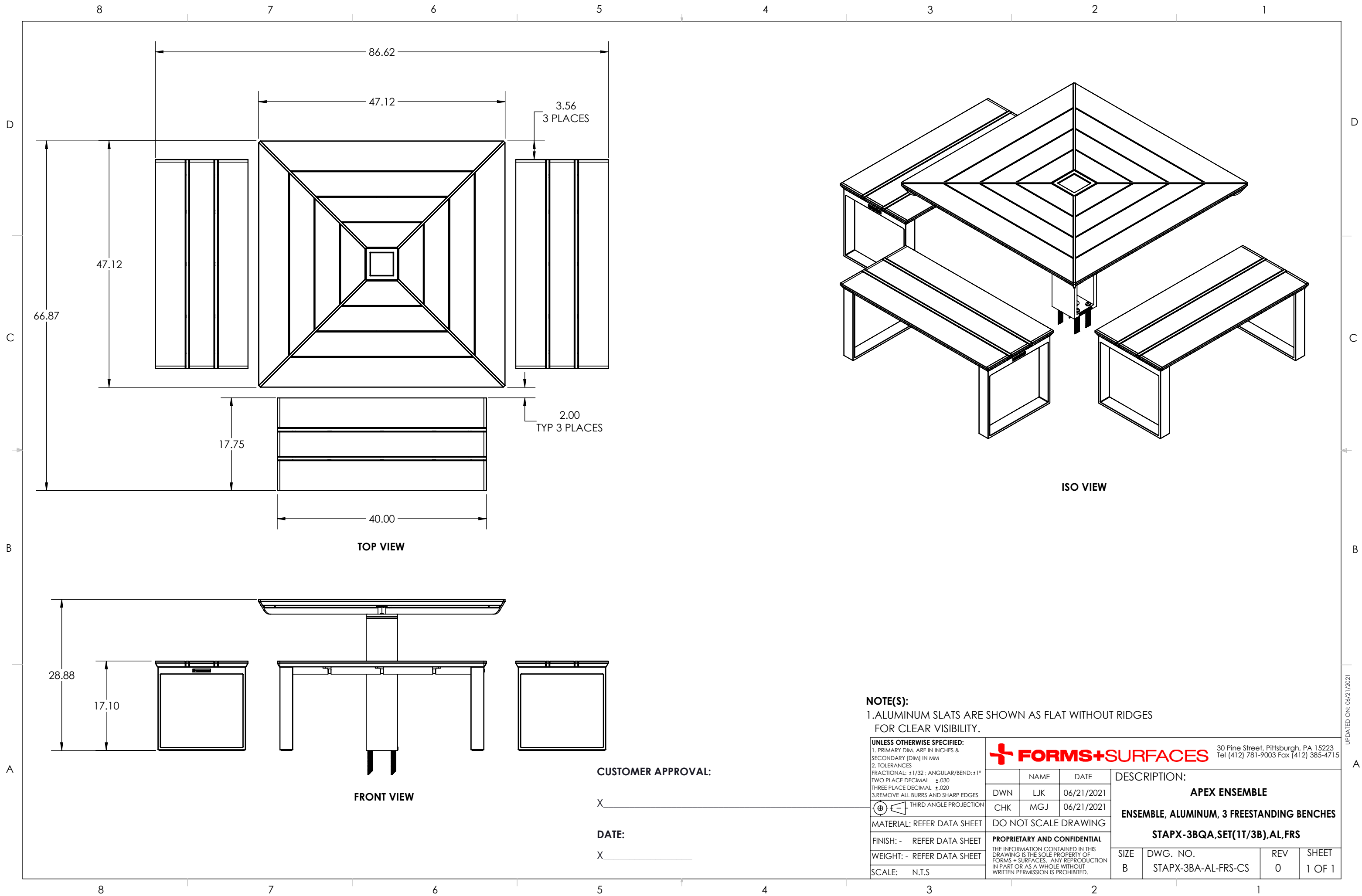
X _____

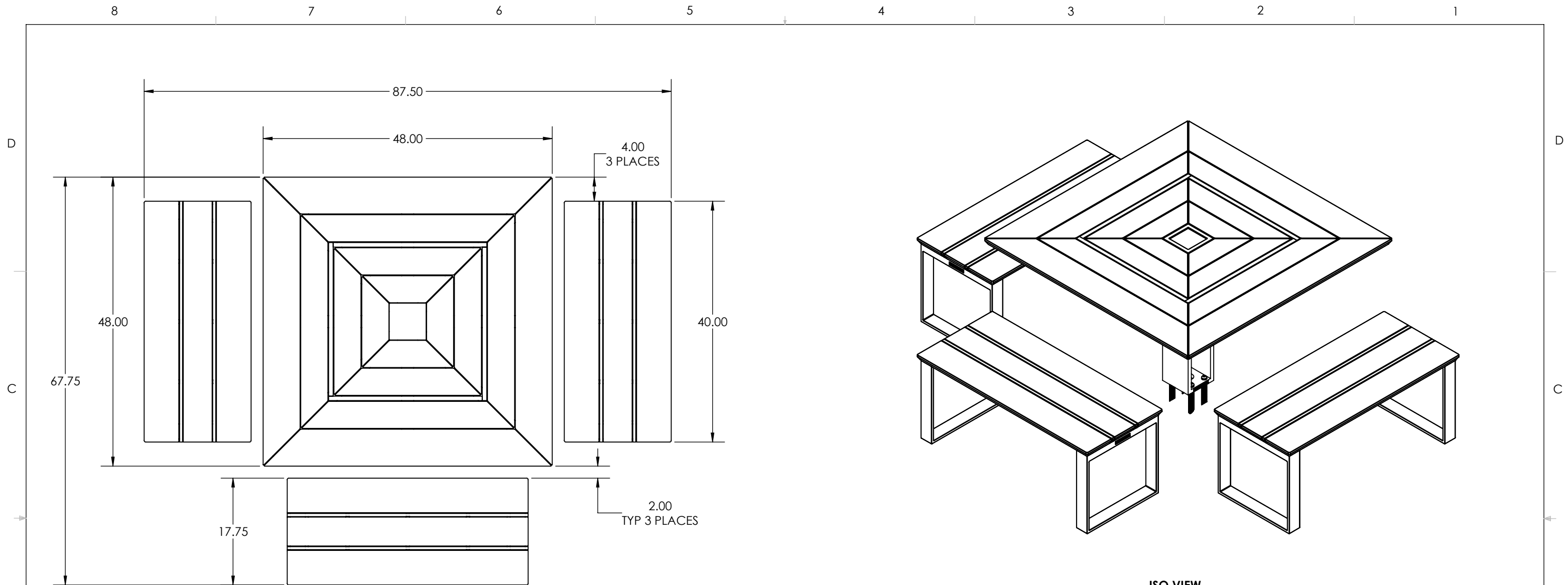
DATE:

X _____

UNLESS OTHERWISE SPECIFIED: 1. PRIMARY DIM. ARE IN INCHES & SECONDARY [DIM] IN MM 2. TOLERANCES FRACTIONAL: $\pm 1/32$; ANGULAR/BEND: $\pm 1^\circ$ TWO PLACE DECIMAL $\pm .030$ THREE PLACE DECIMAL $\pm .020$ 3. REMOVE ALL BURRS AND SHARP EDGES THIRD ANGLE PROJECTION				30 Pine Street, Pittsburgh, PA 15223 Tel (412) 781-9003 Fax (412) 385-4715	
MATERIAL: REFER DATA SHEET FINISH: - REFER DATA SHEET WEIGHT: - REFER DATA SHEET SCALE: N.T.S.		DO NOT SCALE DRAWING PROPRIETARY AND CONFIDENTIAL THE INFORMATION CONTAINED IN THIS DRAWING IS THE SOLE PROPERTY OF FORMS + SURFACES. ANY REPRODUCTION IN PART OR AS A WHOLE WITHOUT WRITTEN PERMISSION IS PROHIBITED.		DESCRIPTION: APEX ENSEMBLE ENSEMBLE, CUMARU, 3 SURFACE MOUNT BENCHES STAPX-3BC, SET(1T/3B), CMR, SFM	
SIZE	DWG. NO.	REV	SHEET		
B	STAPX-3BC-CMR-SFM-CS	0	1 OF 1		

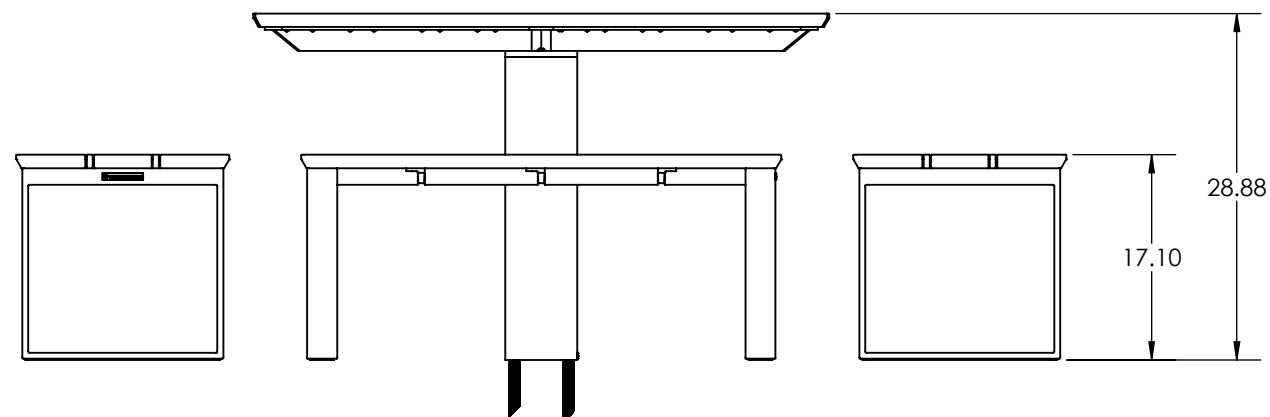
UPDATED ON: 06/21/2021





TOP VIEW

ISO VIEW



FRONT VIEW

CUSTOMER APPROVAL:

X _____

DATE:

X _____

UNLESS OTHERWISE SPECIFIED: 1. PRIMARY DIM. ARE IN INCHES & SECONDARY [DIM] IN MM 2. TOLERANCES FRACTIONAL: ±1/32; ANGULAR/BEND: ±1° TWO PLACE DECIMAL ±.030 THREE PLACE DECIMAL ±.020 3. REMOVE ALL BURRS AND SHARP EDGES				30 Pine Street, Pittsburgh, PA 15223 Tel (412) 781-9003 Fax (412) 385-4715	
THIRD ANGLE PROJECTION		NAME DWN LJK	DATE 06/21/2021	DESCRIPTION: APEX ENSEMBLE ENSEMBLE, CUMARU, 3 FREESTANDING BENCHES STAPX-3BQC,SET(1T/3B),CMR,FRS	
MATERIAL: REFER DATA SHEET		DO NOT SCALE DRAWING		SIZE B	
FINISH: - REFER DATA SHEET		PROPRIETARY AND CONFIDENTIAL THE INFORMATION CONTAINED IN THIS DRAWING IS THE SOLE PROPERTY OF FORMS + SURFACES. ANY REPRODUCTION IN PART OR AS A WHOLE WITHOUT WRITTEN PERMISSION IS PROHIBITED.		DWG. NO. STAPX-3BC-CMR-FRS-CS	REV 0
WEIGHT: - REFER DATA SHEET		SCALE: N.T.S		SHEET 1 OF 1	

UPDATED ON: 06/21/2021