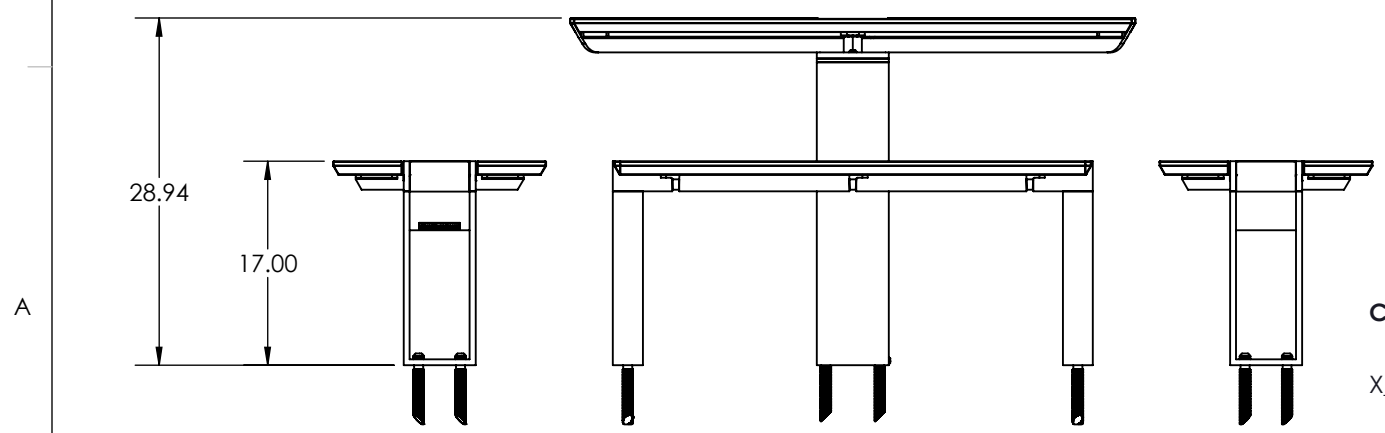
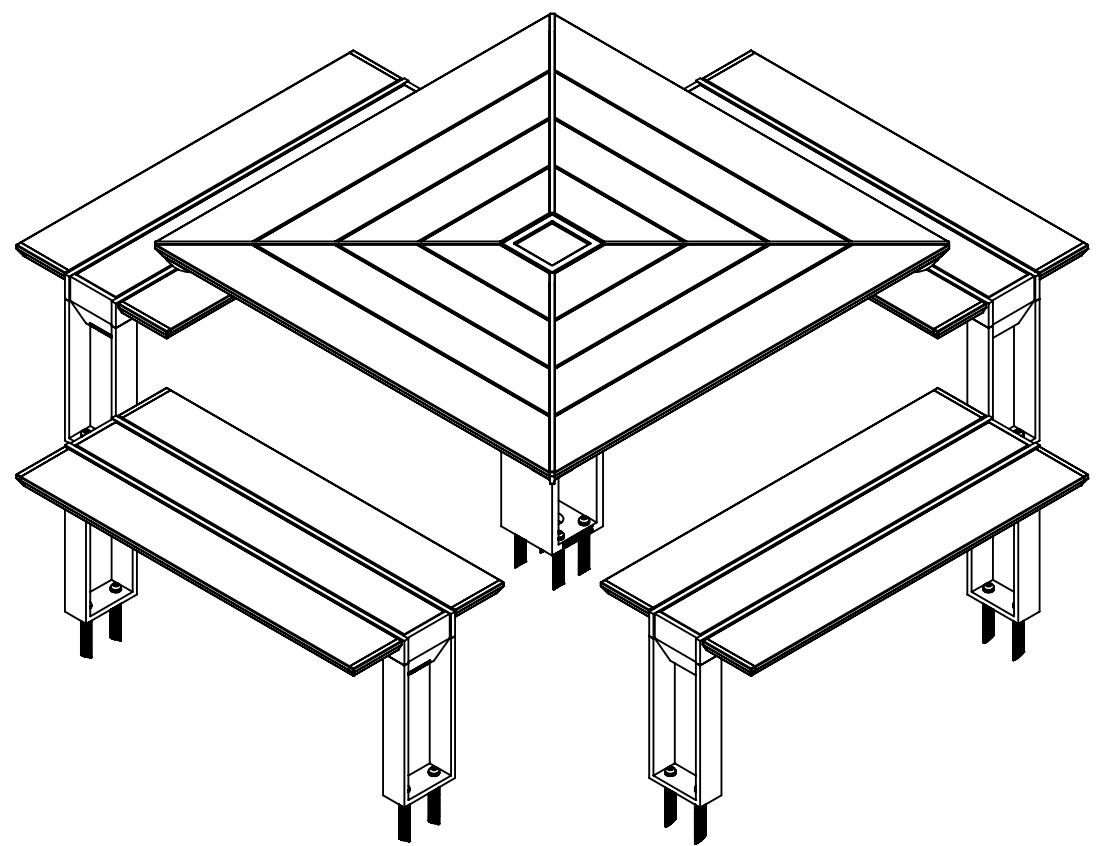


TOP VIEW



FRONT VIEW



ISO VIEW

NOTE(S):
1. ALUMINUM SLATS ARE SHOWN AS FLAT WITHOUT RIDGES FOR CLEAR VISIBILITY.

CUSTOMER APPROVAL:

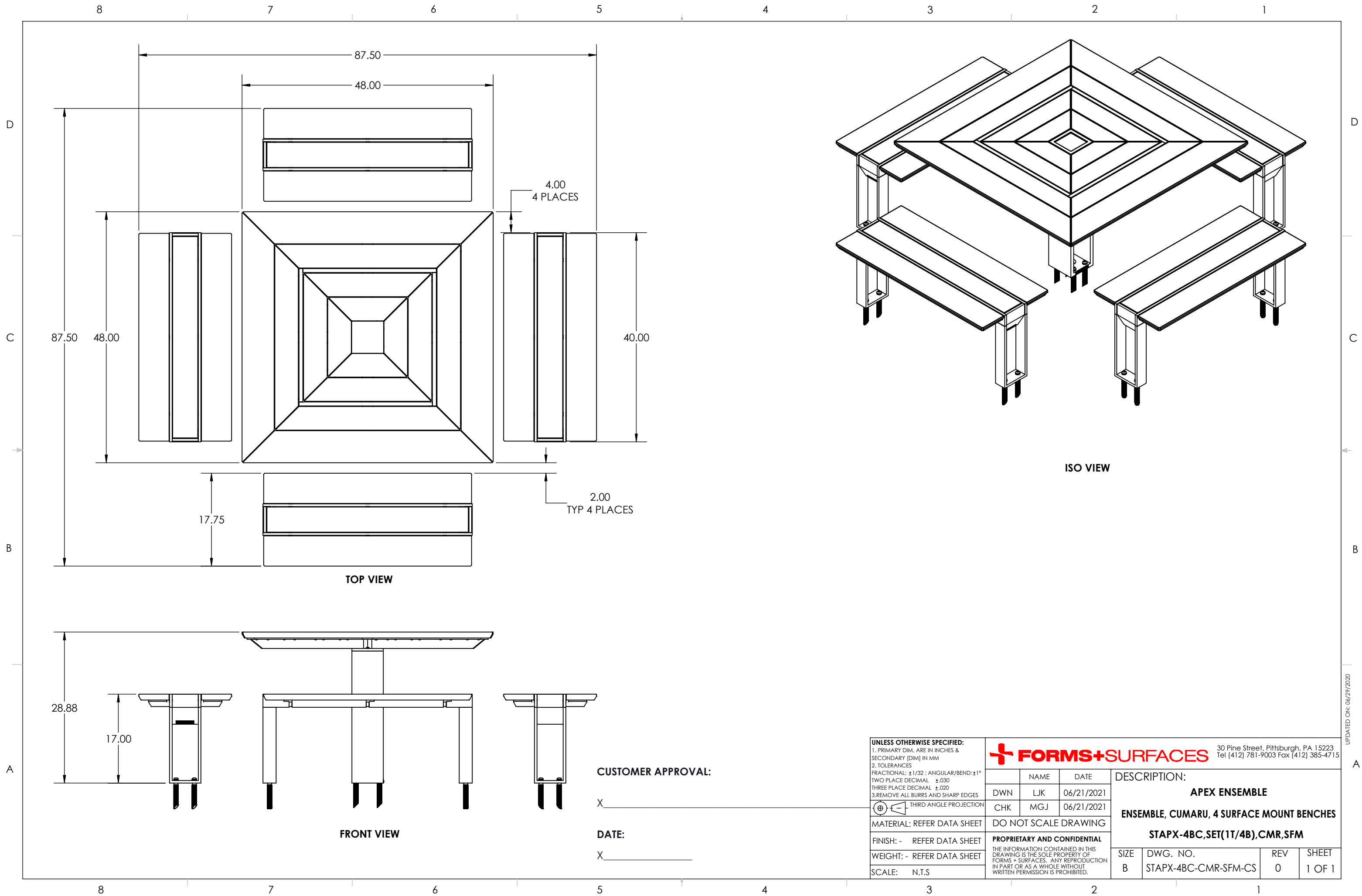
X _____

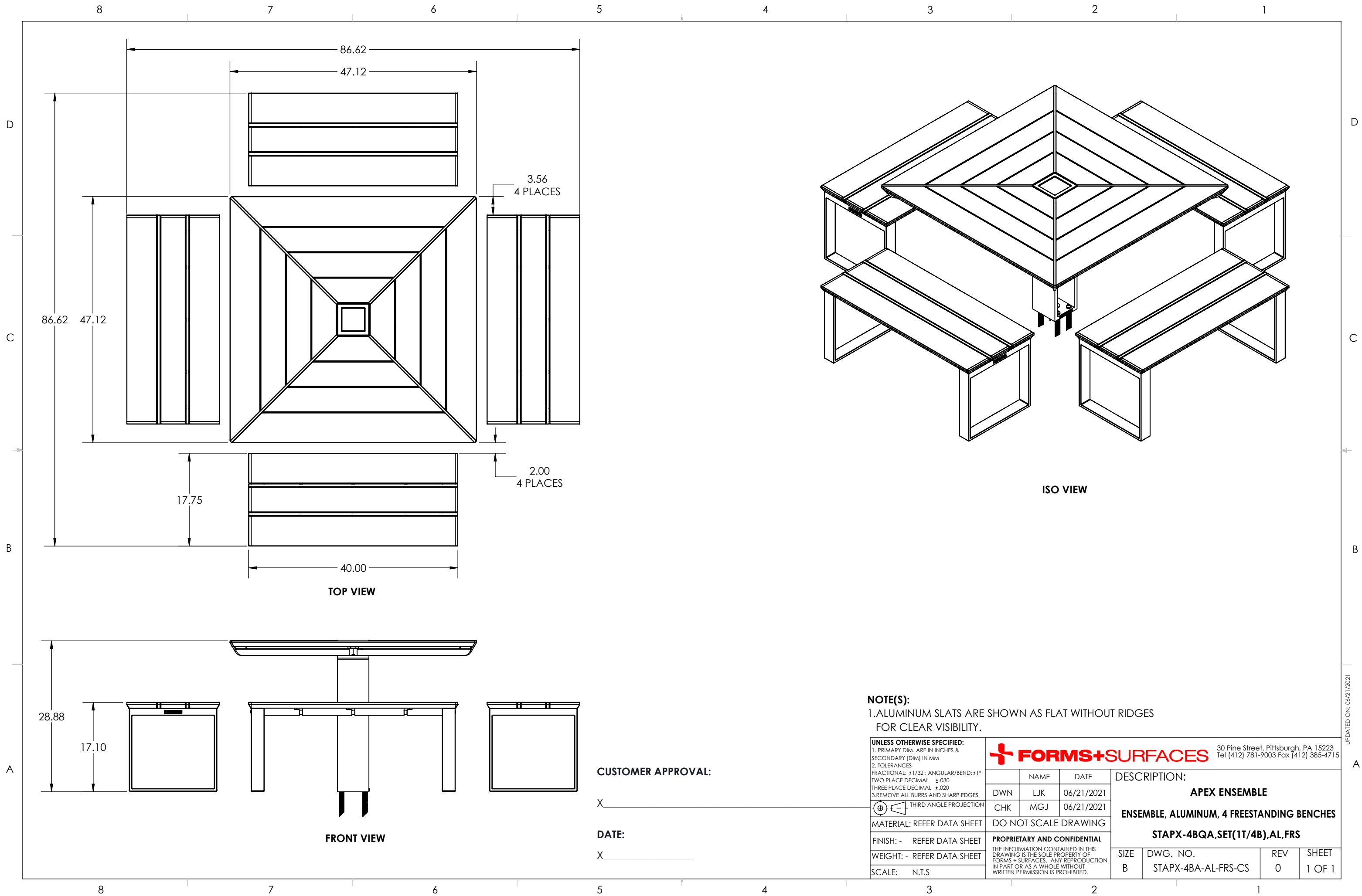
DATE:

X _____

UNLESS OTHERWISE SPECIFIED: 1. PRIMARY DIM. ARE IN INCHES & SECONDARY [DIM] IN MM 2. TOLERANCES FRACTIONAL: ±1/32; ANGULAR/BEND: ±1° TWO PLACE DECIMAL ±.030 THREE PLACE DECIMAL ±.020 3. REMOVE ALL BURRS AND SHARP EDGES THIRD ANGLE PROJECTION		30 Pine Street, Pittsburgh, PA 15223 Tel (412) 781-9003 Fax (412) 385-4715	
NAME	DATE	DESCRIPTION:	
DWN LJK	06/21/2021	APEX ENSEMBLE	
CHK MGJ	06/21/2021	ENSEMBLE, ALUMINUM, 4 SURFACE MOUNT BENCHES	
MATERIAL: REFER DATA SHEET		DO NOT SCALE DRAWING	
FINISH: - REFER DATA SHEET		PROPRIETARY AND CONFIDENTIAL	
WEIGHT: - REFER DATA SHEET		THE INFORMATION CONTAINED IN THIS DRAWING IS THE SOLE PROPERTY OF FORMS + SURFACES. ANY REPRODUCTION IN PART OR AS A WHOLE WITHOUT WRITTEN PERMISSION IS PROHIBITED.	
SCALE: N.T.S		SIZE	DWG. NO.
		B	STAPX-4BA-AL-SFM-CS
		REV	0
		SHEET	1 OF 1

UPDATED ON: 06/21/2021





TOP VIEW

FRONT VIEW

ISO VIEW

NOTE(S):
 1. ALUMINUM SLATS ARE SHOWN AS FLAT WITHOUT RIDGES FOR CLEAR VISIBILITY.

UNLESS OTHERWISE SPECIFIED: 1. PRIMARY DIM. ARE IN INCHES & SECONDARY [DIM] IN MM 2. TOLERANCES FRACTIONAL: ±1/32; ANGULAR/BEND: ±1° TWO PLACE DECIMAL ±.030 THREE PLACE DECIMAL ±.020 3. REMOVE ALL BURRS AND SHARP EDGES THIRD ANGLE PROJECTION		FORMS+SURFACES 30 Pine Street, Pittsburgh, PA 15223 Tel (412) 781-9003 Fax (412) 385-4715	
MATERIAL: REFER DATA SHEET FINISH: - REFER DATA SHEET WEIGHT: - REFER DATA SHEET SCALE: N.T.S.		NAME DWN LJK CHK MGJ	DATE 06/21/2021 06/21/2021
DO NOT SCALE DRAWING PROPRIETARY AND CONFIDENTIAL THE INFORMATION CONTAINED IN THIS DRAWING IS THE SOLE PROPERTY OF FORMS + SURFACES. ANY REPRODUCTION IN PART OR AS A WHOLE WITHOUT WRITTEN PERMISSION IS PROHIBITED.		DESCRIPTION: APEX ENSEMBLE ENSEMBLE, ALUMINUM, 4 FREESTANDING BENCHES STAPX-4BQA, SET(1T/4B), AL, FRS	
SIZE	DWG. NO.	REV	SHEET
B	STAPX-4BA-AL-FRS-CS	0	1 OF 1

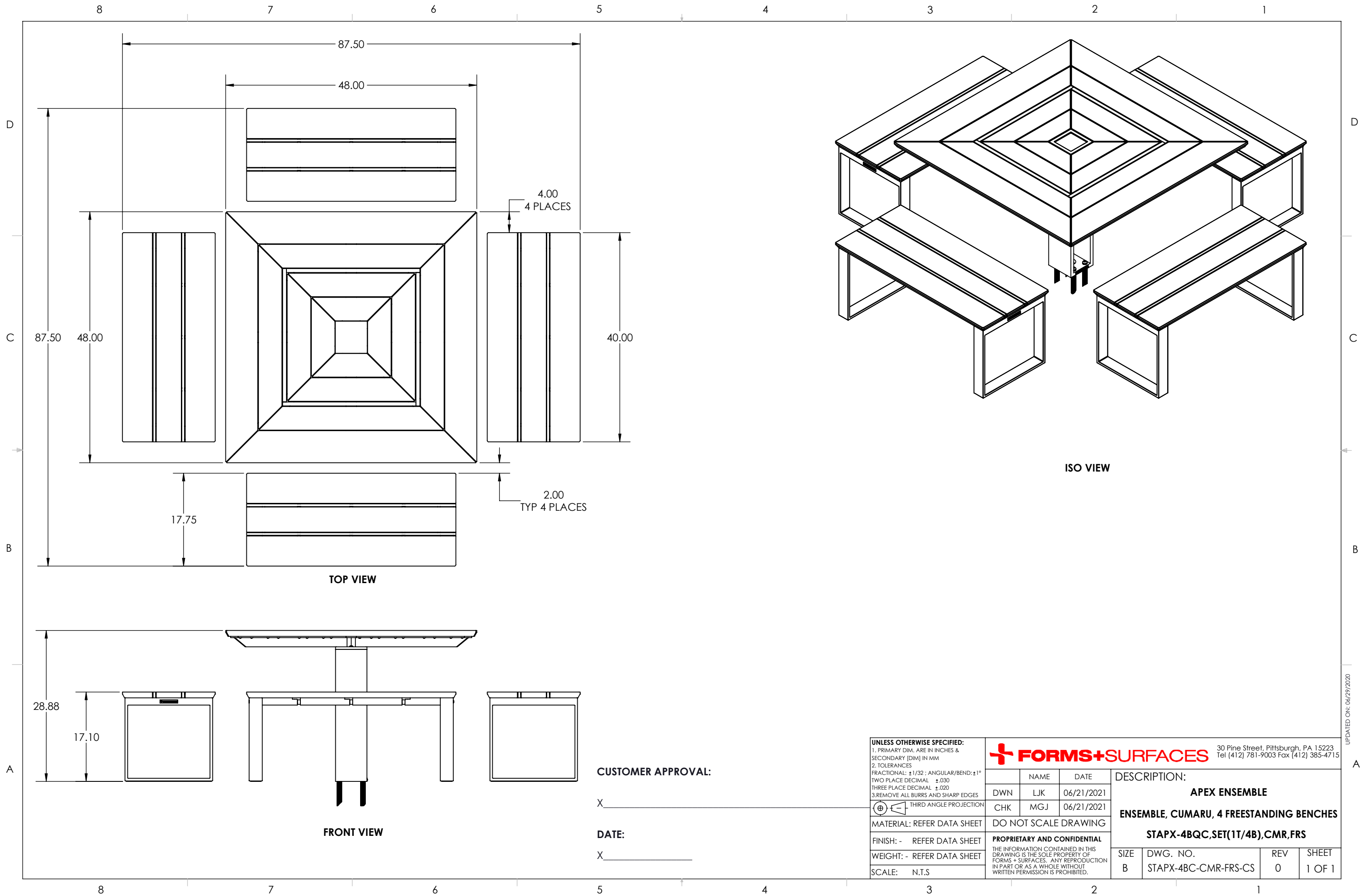
CUSTOMER APPROVAL:

X _____

DATE:

X _____

UPDATED ON: 06/21/2021



TOP VIEW

FRONT VIEW

ISO VIEW

CUSTOMER APPROVAL:

X _____

DATE:

X _____

UNLESS OTHERWISE SPECIFIED: 1. PRIMARY DIM. ARE IN INCHES & SECONDARY [DIM] IN MM 2. TOLERANCES FRACTIONAL: ±1/32; ANGULAR/BEND: ±1° TWO PLACE DECIMAL ±.030 THREE PLACE DECIMAL ±.020 3. REMOVE ALL BURRS AND SHARP EDGES THIRD ANGLE PROJECTION				30 Pine Street, Pittsburgh, PA 15223 Tel (412) 781-9003 Fax (412) 385-4715	
MATERIAL: REFER DATA SHEET		NAME DATE DWN LJK 06/21/2021 CHK MGJ 06/21/2021		DESCRIPTION: APEX ENSEMBLE ENSEMBLE, CUMARU, 4 FREESTANDING BENCHES STAPX-4BQC,SET(1T/4B),CMR,FRS	
FINISH: - REFER DATA SHEET		PROPRIETARY AND CONFIDENTIAL THE INFORMATION CONTAINED IN THIS DRAWING IS THE SOLE PROPERTY OF FORMS + SURFACES. ANY REPRODUCTION IN PART OR AS A WHOLE WITHOUT WRITTEN PERMISSION IS PROHIBITED.		SIZE DWG. NO. REV SHEET B STAPX-4BC-CMR-FRS-CS 0 1 OF 1	
WEIGHT: - REFER DATA SHEET		SCALE: N.T.S			

UPDATED ON: 06/29/2020