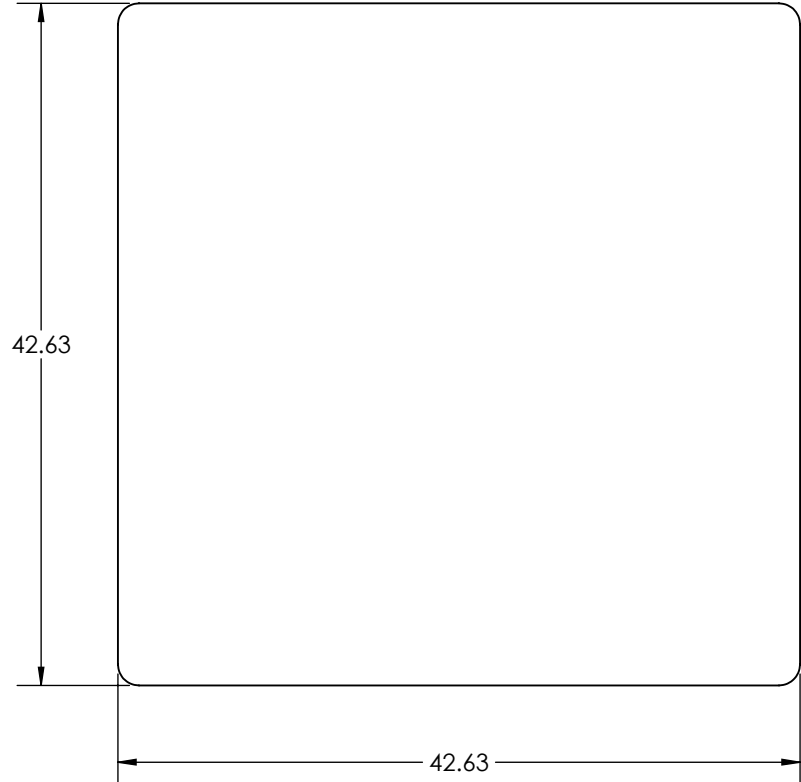


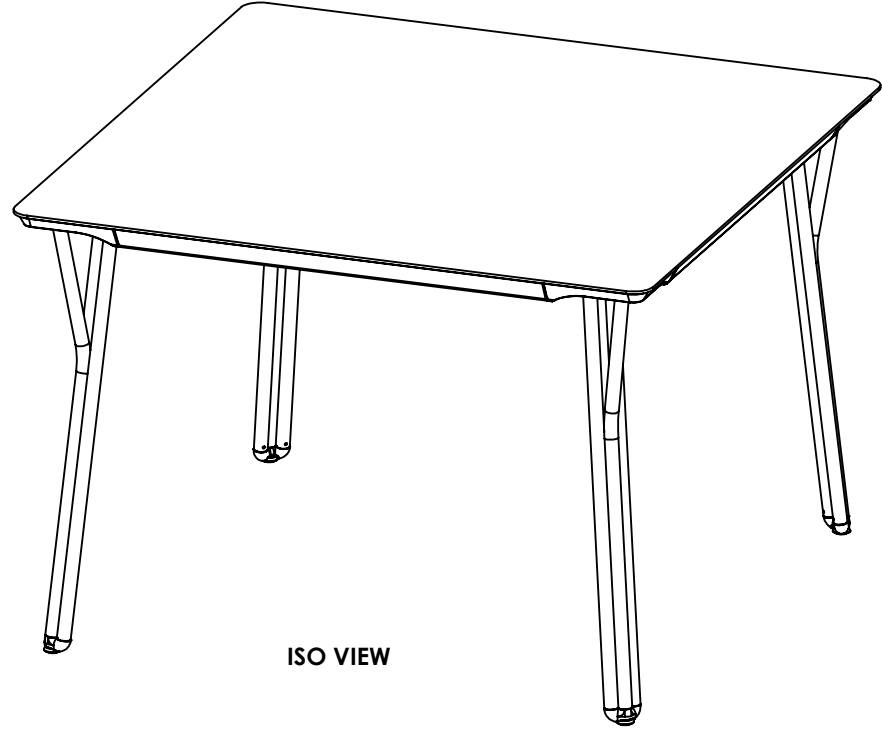
8 7 6 5 4 3 2 1

D
C
B
A

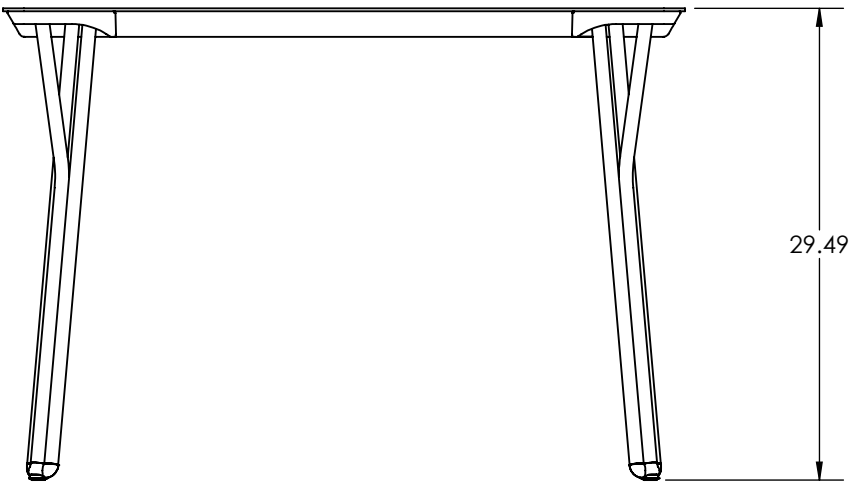
D
C
B
A



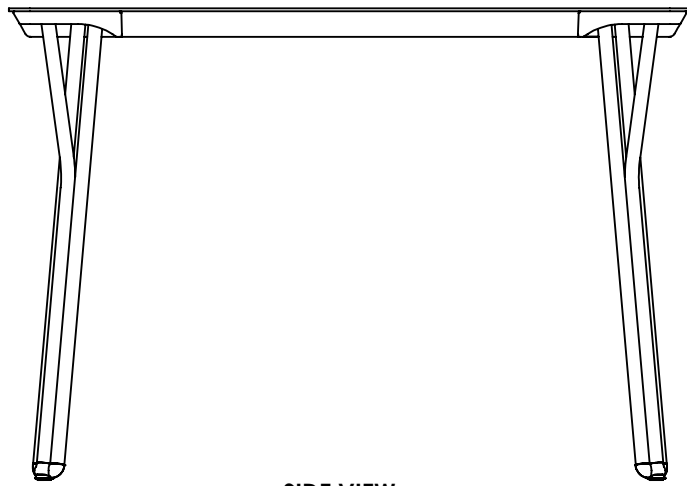
TOP VIEW



ISO VIEW



FRONT VIEW



SIDE VIEW

CUSTOMER APPROVAL:

X _____

DATE:

X _____

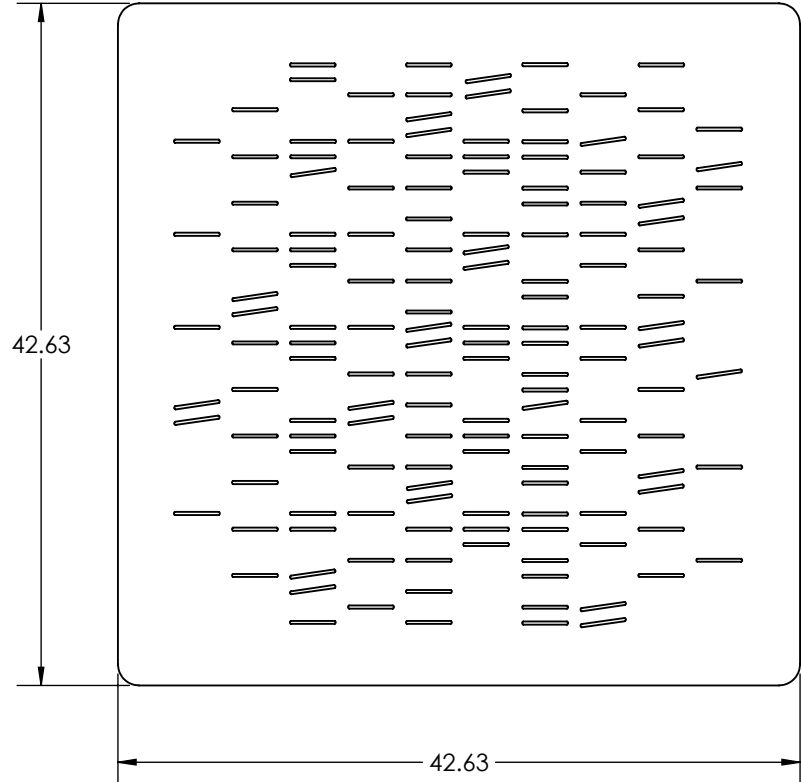
UNLESS OTHERWISE SPECIFIED: 1. PRIMARY DIM. ARE IN INCHES & SECONDARY [DIM] IN MM 2. TOLERANCES FRACTIONAL: ±1/32; ANGULAR/BEND: ±1° TWO PLACE DECIMAL ±.030 THREE PLACE DECIMAL ±.020 3. REMOVE ALL BURRS AND SHARP EDGES THIRD ANGLE PROJECTION				30 Pine Street, Pittsburgh, PA 15223 Tel (412) 781-9003 Fax (412) 385-4715	
MATERIAL: SEE DATA SHEET FINISH: - SEE DATA SHEET WEIGHT: - SEE DATA SHEET SCALE: N.T.S.		NAME: DWN DATE: 08-28-2020 NAME: CHK DATE: 08-28-2020		DESCRIPTION: FACTOR CAFE TABLE, 42" x 42", ALUMINUM TOP	
PROPRIETARY AND CONFIDENTIAL THE INFORMATION CONTAINED IN THIS DRAWING IS THE SOLE PROPERTY OF FORMS + SURFACES. ANY REPRODUCTION IN PART OR AS A WHOLE WITHOUT WRITTEN PERMISSION IS PROHIBITED.		SIZE: B	DWG. NO.: STFAC-C4242A-CS	REV: 00	SHEET: 1 OF 1

8 7 6 5 4 3 2 1

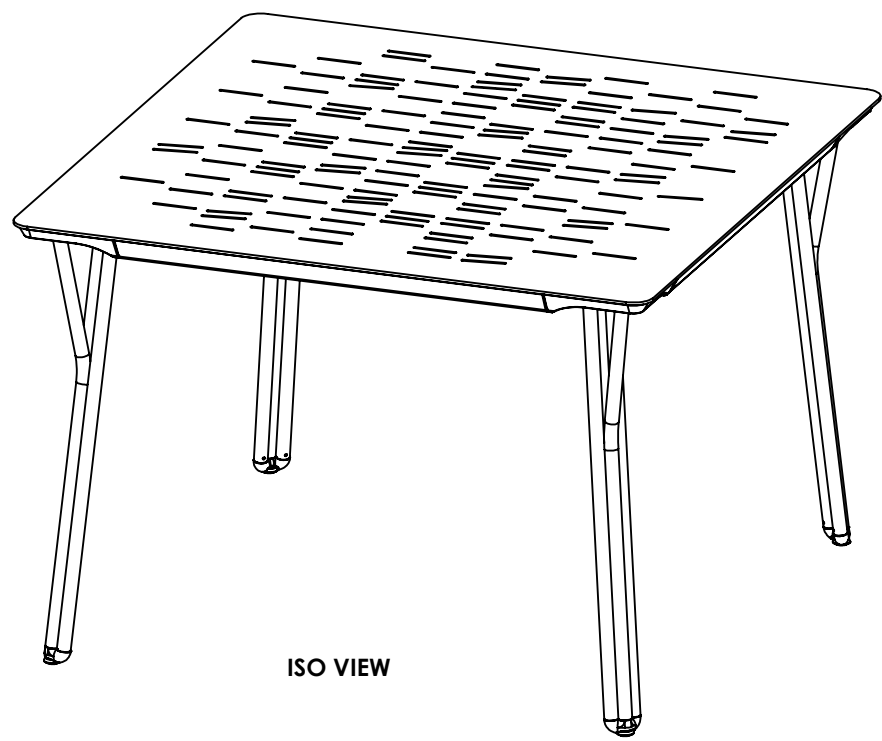
8 7 6 5 4 3 2 1

D
C
B
A

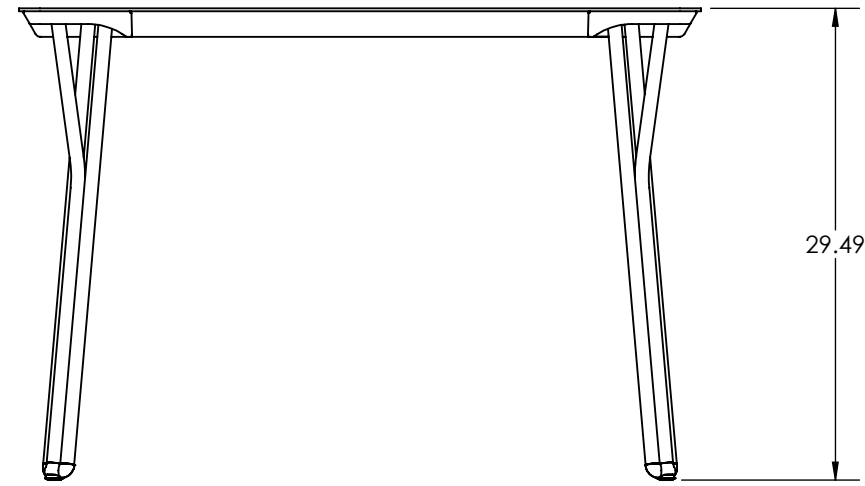
D
C
B
A



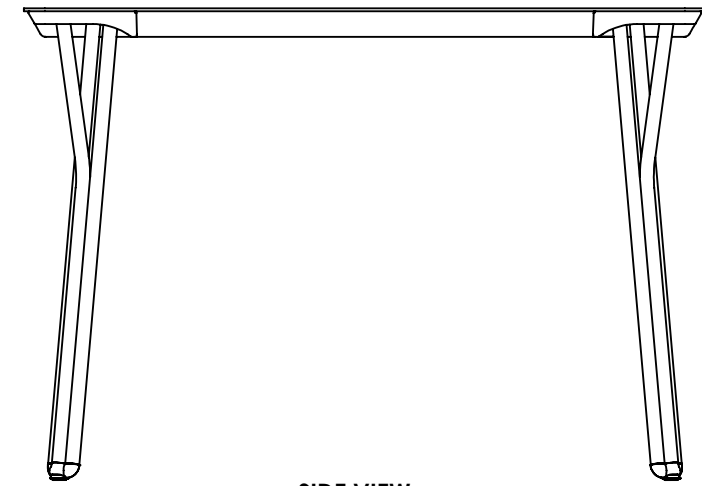
TOP VIEW



ISO VIEW



FRONT VIEW



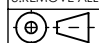
SIDE VIEW

CUSTOMER APPROVAL:

X _____

DATE:

X _____

UNLESS OTHERWISE SPECIFIED:
 1. PRIMARY DIM. ARE IN INCHES & SECONDARY [DIM] IN MM
 2. TOLERANCES
 FRACTIONAL: ±1/32; ANGULAR/BEND: ±1°
 TWO PLACE DECIMAL ±.030
 THREE PLACE DECIMAL ±.020
 3. REMOVE ALL BURRS AND SHARP EDGES
 THIRD ANGLE PROJECTION
 MATERIAL: SEE DATA SHEET
 FINISH: - SEE DATA SHEET
 WEIGHT: - SEE DATA SHEET
 SCALE: N.T.S

FORMS+SURFACES 30 Pine Street, Pittsburgh, PA 15223
 Tel (412) 781-9003 Fax (412) 385-4715

	NAME	DATE
DWN	ABM	08-28-2020
CHK	MGJ	08-28-2020

DO NOT SCALE DRAWING
PROPRIETARY AND CONFIDENTIAL
 THE INFORMATION CONTAINED IN THIS DRAWING IS THE SOLE PROPERTY OF FORMS + SURFACES. ANY REPRODUCTION IN PART OR AS A WHOLE WITHOUT WRITTEN PERMISSION IS PROHIBITED.

DESCRIPTION:			
FACTOR CAFE TABLE, 42" x 42", ALUMINUM TOP W/VERVE PERFORATION			
SIZE	DWG. NO.	REV	SHEET
B	STFAC-C4242AP-CS	00	1 OF 1

8 7 6 5 4 3 2 1

8 7 6 5 4 3 2 1

D

C

B

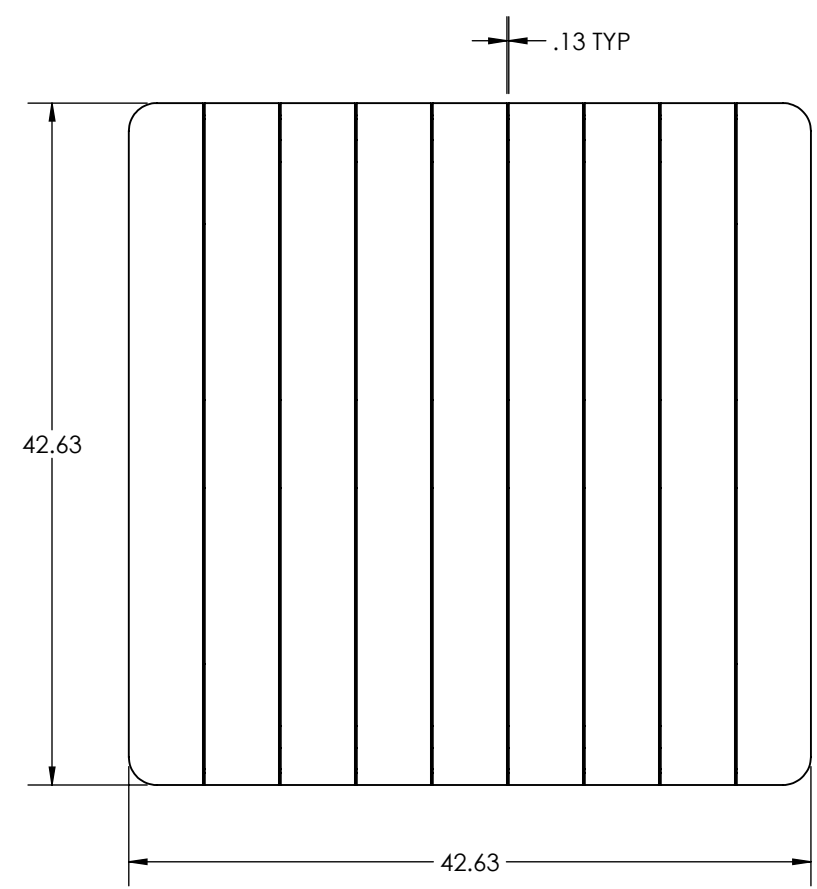
A

D

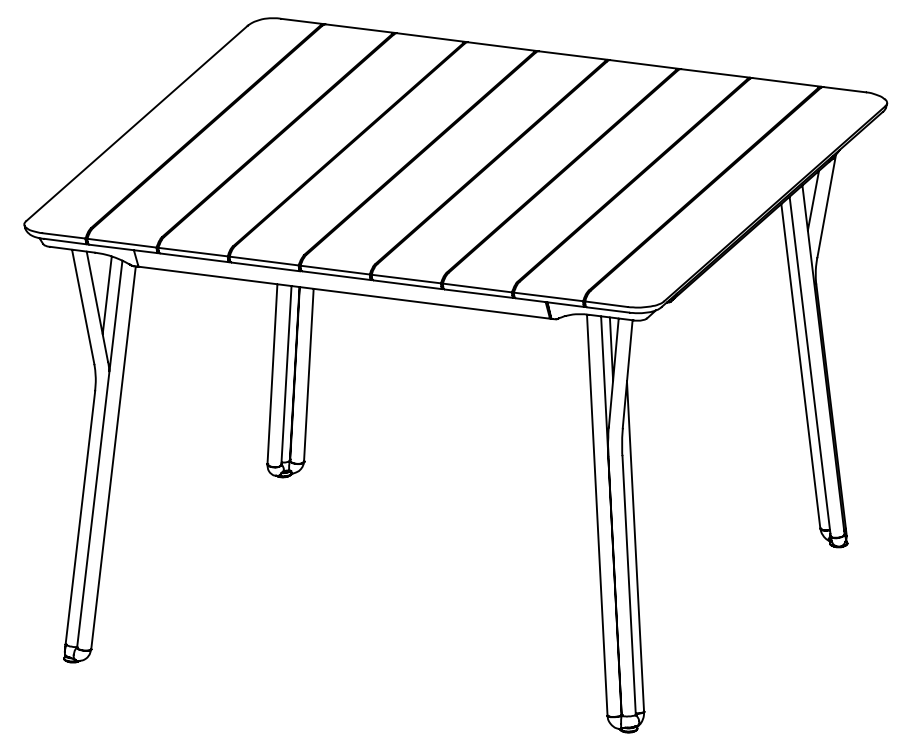
C

B

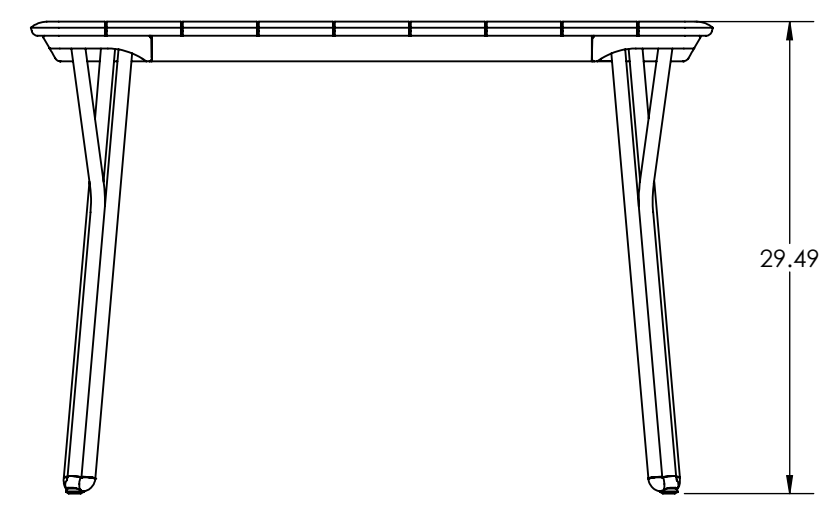
A



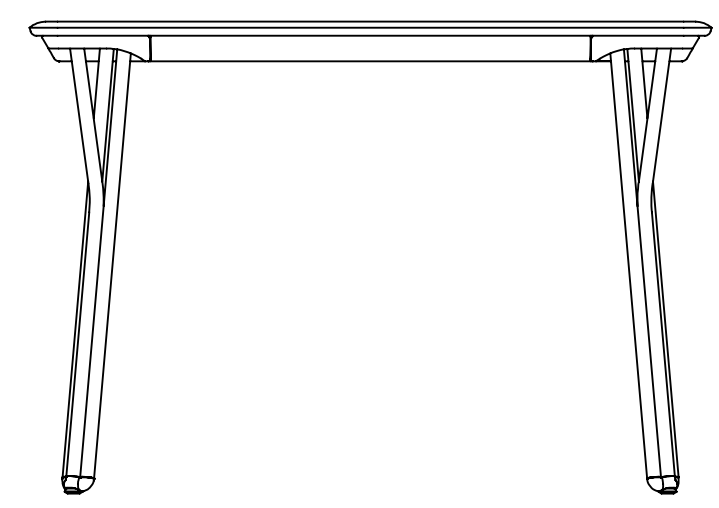
TOP VIEW



ISOMETRIC VIEW



FRONT VIEW



SIDE VIEW

CUSTOMER APPROVAL:

X _____

DATE:

X _____

UNLESS OTHERWISE SPECIFIED:
 1. PRIMARY DIM. ARE IN INCHES & SECONDARY [DIM] IN MM
 2. TOLERANCES
 FRACTIONAL: ±1/32; ANGULAR/BEND: ±1°
 TWO PLACE DECIMAL ±.030
 THREE PLACE DECIMAL ±.020
 3. REMOVE ALL BURRS AND SHARP EDGES
 THIRD ANGLE PROJECTION
 MATERIAL: SEE DATA SHEET
 FINISH: SEE DATA SHEET
 WEIGHT: SEE DATA SHEET
 SCALE: NOT TO SCALE



30 Pine Street, Pittsburgh, PA 15223
 Tel (412) 781-9003 Fax (412) 781-7840

NAME	DATE
DWN DEF	3/26/2020
CHK	

DESCRIPTION:			
FACTOR TABLE, 42" X 42", FSC® 100% CUMARU SLATS			
SIZE	DWG. NO.	REV	SHEET
B	STFAC-C4242C-CS	0	1 OF 1

8 7 6 5 4 3 2 1

8 7 6 5 4 3 2 1

D

C

B

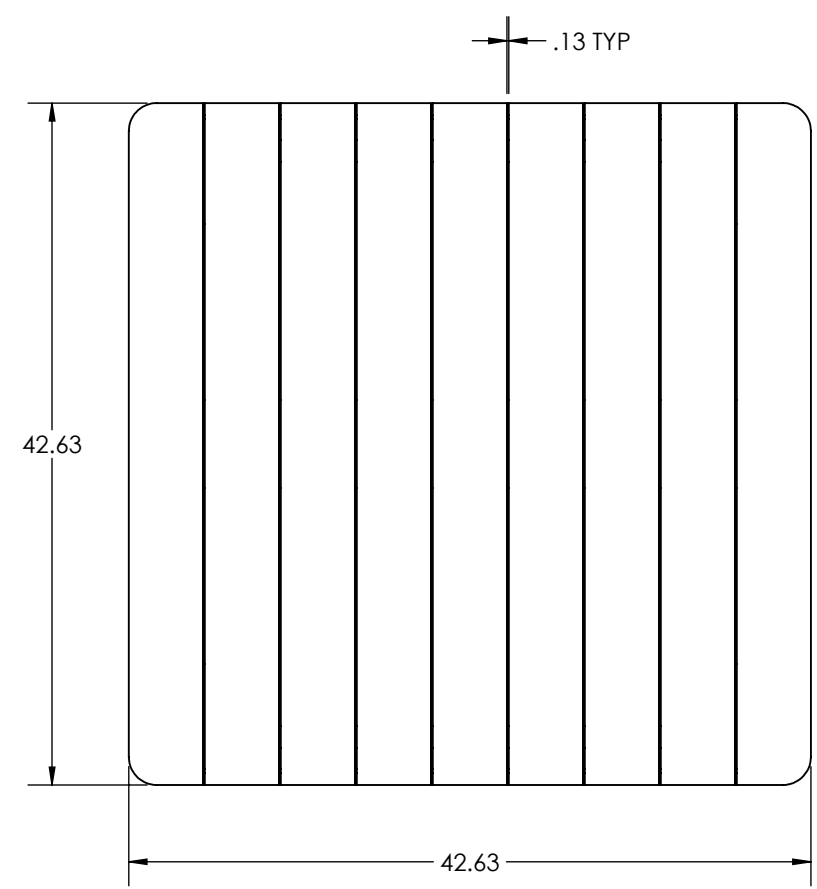
A

D

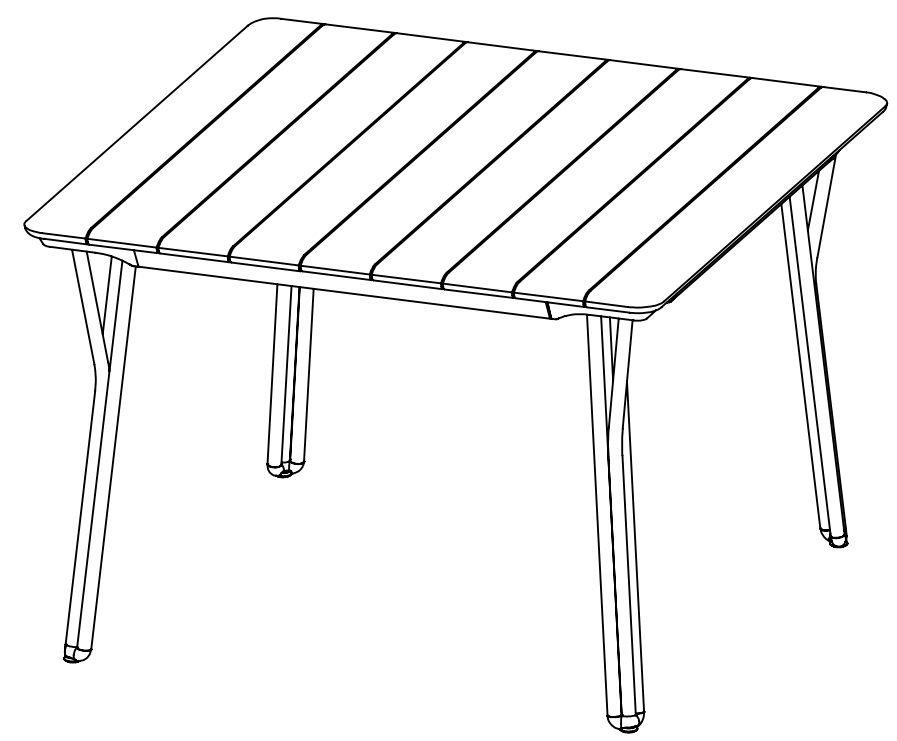
C

B

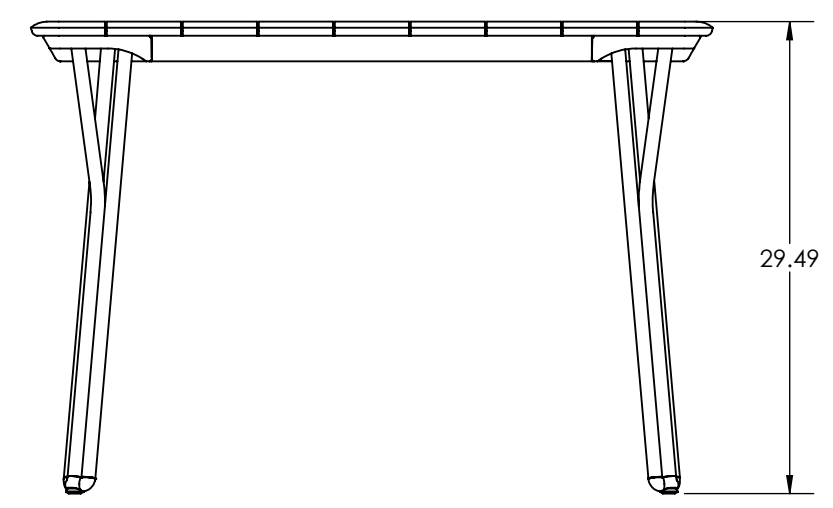
A



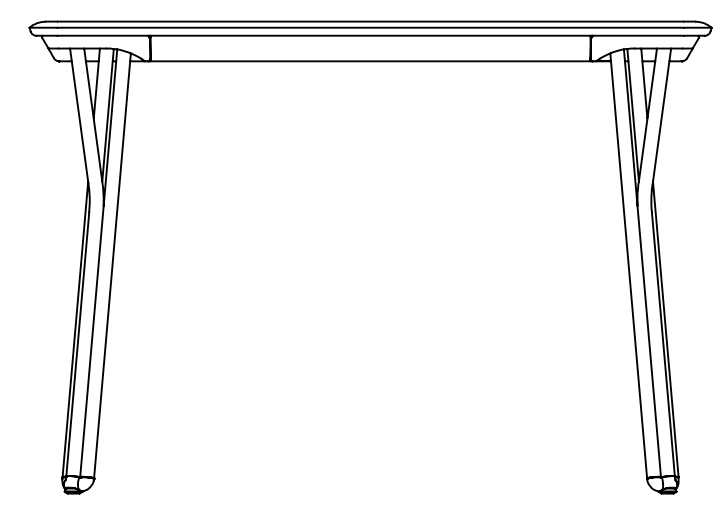
TOP VIEW



ISOMETRIC VIEW



FRONT VIEW



SIDE VIEW

CUSTOMER APPROVAL:

X _____

DATE:

X _____

UNLESS OTHERWISE SPECIFIED:
 1. PRIMARY DIM. ARE IN INCHES & SECONDARY [DIM] IN MM
 2. TOLERANCES
 FRACTIONAL: ±1/32; ANGULAR/BEND: ±1°
 TWO PLACE DECIMAL ±.030
 THREE PLACE DECIMAL ±.020
 3. REMOVE ALL BURRS AND SHARP EDGES



30 Pine Street, Pittsburgh, PA 15223
 Tel (412) 781-9003 Fax (412) 781-7840

THIRD ANGLE PROJECTION
 MATERIAL: SEE DATA SHEET
 FINISH: SEE DATA SHEET
 WEIGHT: SEE DATA SHEET
 SCALE: NOT TO SCALE

NAME	DATE
DWN DEF	3/26/2020
CHK	

DO NOT SCALE DRAWING
PROPRIETARY AND CONFIDENTIAL
 THE INFORMATION CONTAINED IN THIS DRAWING IS THE SOLE PROPERTY OF FORMS + SURFACES. ANY REPRODUCTION IN PART OR AS A WHOLE WITHOUT WRITTEN PERMISSION IS PROHIBITED.

DESCRIPTION:			
FACTOR TABLE, 42" X 42", FSC® 100% TEAK SLATS			
SIZE	DWG. NO.	REV	SHEET
B	STFAC-C4242T-CS	0	1 OF 1

8 7 6 5 4 3 2 1