
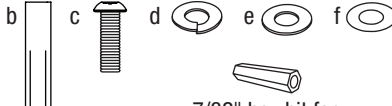
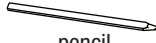


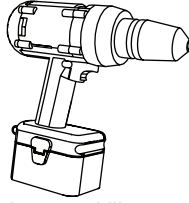


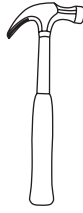
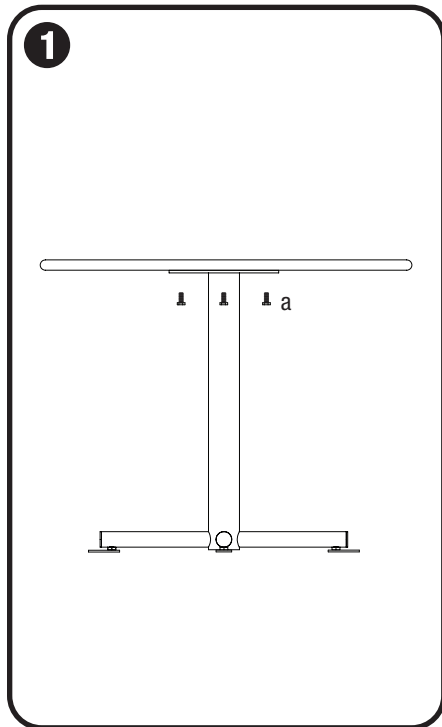


CROSS TABLE

SURFACE MOUNT INSTALLATION INSTRUCTIONS

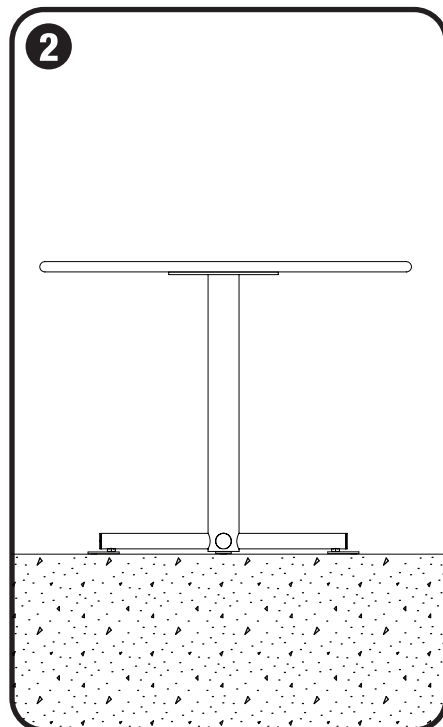
INCLUDED	MOUNTING KIT (SOLD SEPARATELY)	TOOLS NEEDED		
 <p>a</p>	 <p>b c d e f</p> <p>7/32" hex bit for tamper-resistant bolts</p>	 <p>pencil</p>  <p>1/2" nut driver</p>  <p>3/16", 3/8" & 1/2" drill bits for concrete</p>	 <p>hammer drill</p>	 <p>steel wire brush</p>  <p>1/4" punch</p>  <p>hammer</p>

STEP BY STEP FOR ALL SURFACE MOUNTED CROSS TABLES



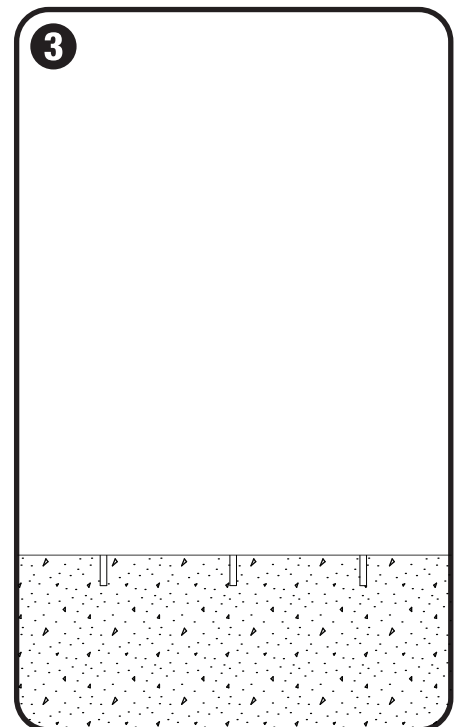
1 Attach table top to column

- Use drill with 1/2" nut driver (or socket wrench with 1/2" socket) to attach table top to column with 5/16"-18 x 3/4" hex head bolts (a).



2 Mark hole locations

- Place table in desired location. Mark center of each hole location with a pencil.



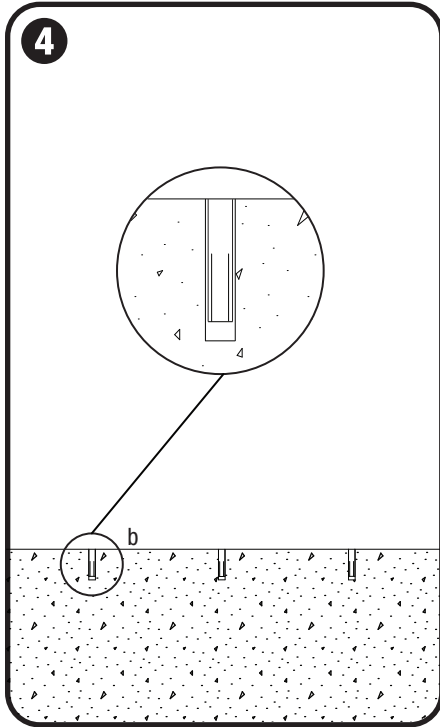
3 Drill holes

- Use hammer drill to drill 1-7/8" deep x 1/2" diameter anchor hole at each marked location using a 1/2" drill bit suitable for concrete drilling.

NOTE: Forms+Surfaces recommends starting holes with 3/16" diameter drill bit followed by 3/8" and finally 1/2" for maximum accuracy.

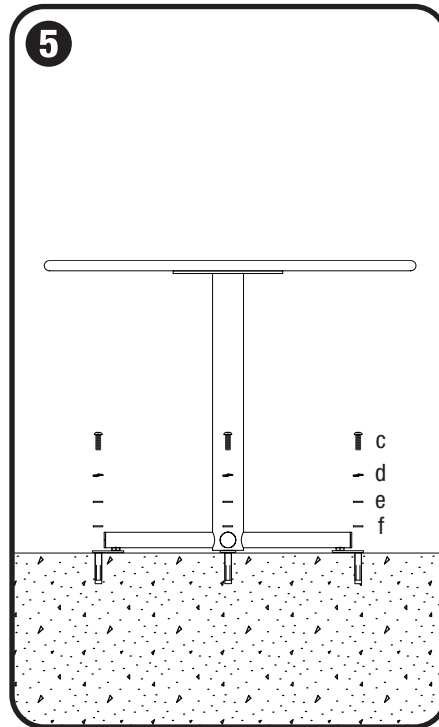
CROSS TABLE

STEP BY STEP FOR ALL SURFACE MOUNTED CROSS TABLES



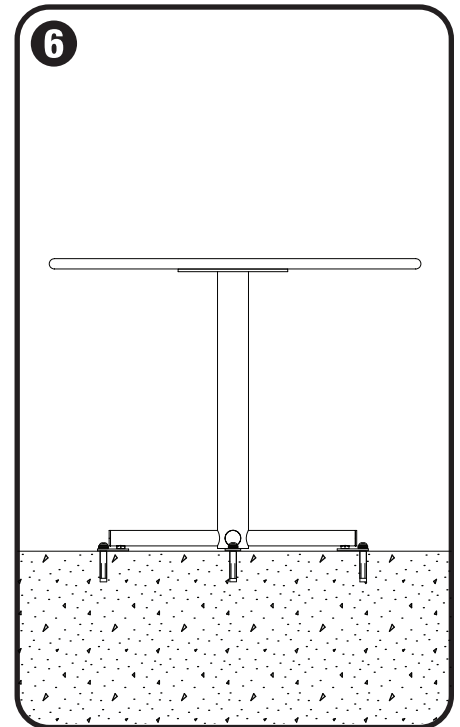
Insert & set anchors

- Use compressed air and steel wire brush to clean each anchor hole.
- Insert 3/8"-16 x 1-1/2" anchor (b) into each anchor hole and use hammer to tap anchor tops flush with ground level.
- Use 1/4" punch and hammer to set anchors by driving down the center of each anchor until it stops.



Position & attach table

- Position table so that mounting holes line up with anchors.
- Slide 3/8" stainless steel lock washer (d), then 3/8" stainless steel flat washer (e) and 3/8" nylon flat washer (f) onto each 3/8"-16 x 1" tamper-resistant button head cap bolt (c).
- Insert bolts into mounting holes in table and thread into anchors using 7/32" hex bit for tamper-resistant bolts.



Tighten bolts

- Tighten bolts until snug.