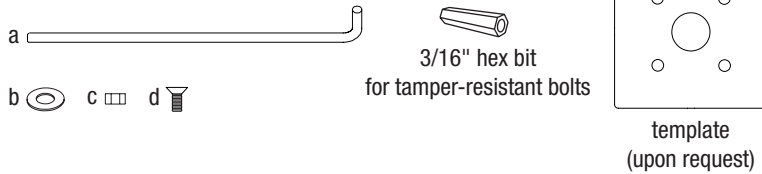


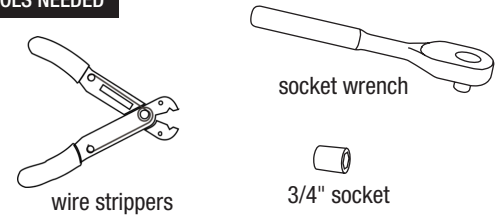
# KNIGHT™ PEDESTRIAN

## SURFACE MOUNT INSTALLATION INSTRUCTIONS

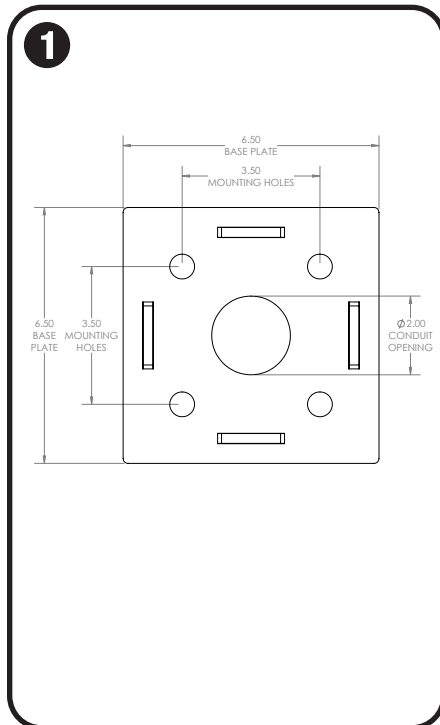
### MOUNTING KIT (SOLD SEPARATELY)



### TOOLS NEEDED



### STEP BY STEP FOR ALL KNIGHT PEDESTRIAN LIGHTING

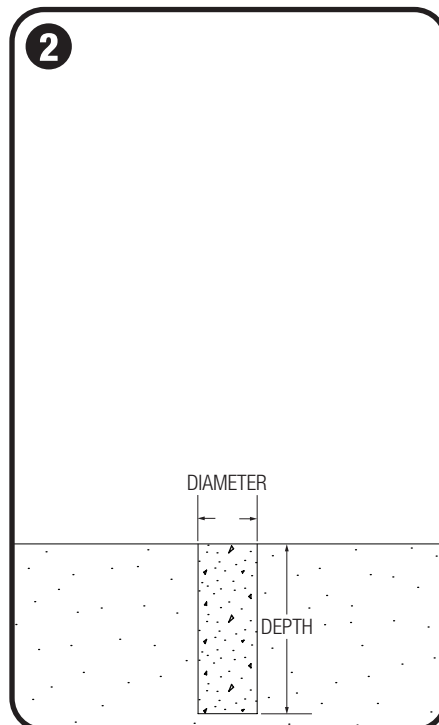


#### Prepare incoming power

- Before pouring concrete footer, run properly sized conduit and cabling to each luminary location according to local code requirements. Refer to figure above for dimensions for conduit entry envelope size and location on luminary.

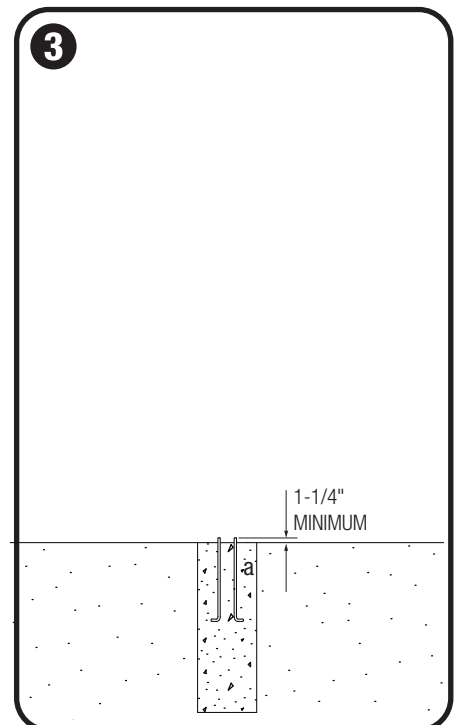
#### Forms+Surfaces is not responsible for site preparation and footings.

Note: Conduit should not protrude more than 2" above mounting surface.



#### Pour concrete footer

- Mix and pour concrete footer according to concrete manufacturer's instructions.
- A sufficient footer size depends on frost and other conditions to be determined by the installer. A minimum of a 13" diameter x 36" deep footer is recommended.



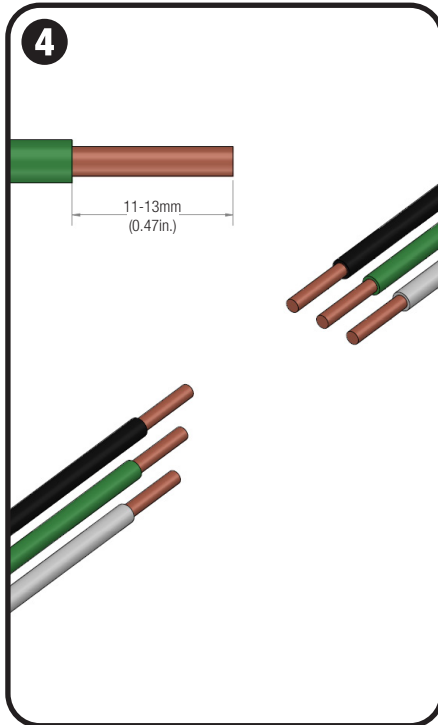
#### Insert J-bolt anchors

- Insert 1/2"-13 x 18" galvanized steel J-bolt anchors (a) into concrete.
- Use template (included upon request) to position J-bolt anchors in proper locations. Tops of J-bolt anchors must be a minimum of 1-1/4" above concrete surface.
- Allow concrete to set completely, in accordance with concrete manufacturer's instructions, before moving to step 4.

# KNIGHT™ PEDESTRIAN

## SURFACE MOUNT INSTALLATION INSTRUCTIONS

### STEP BY STEP FOR ALL KNIGHT PEDESTRIAN LIGHTING



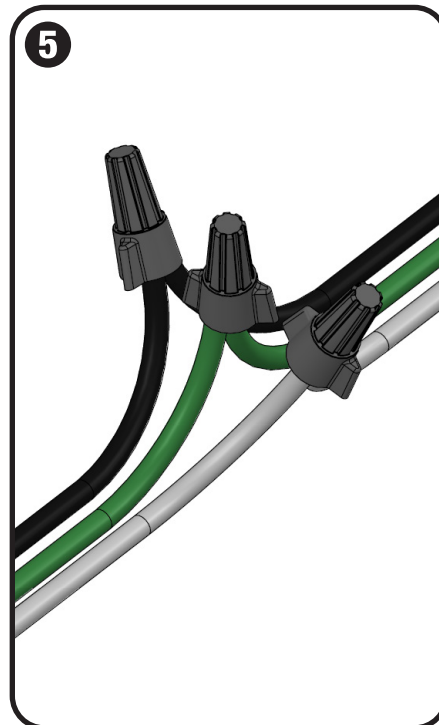
#### Locate & prepare wires

Note: Installation should be performed only by qualified individuals.

- Before proceeding with wiring of fixture, check to ensure that all applicable site wiring and safety codes have been followed.
- Locate wires at base of light fixture. Ensure power supply is shut off and circuit being used is isolated.
- Prepare wiring from site conduit and bollard by stripping and removing 11-13mm (.47") of insulation.

Note: Wire used should be 22-14 AWG copper conductors.

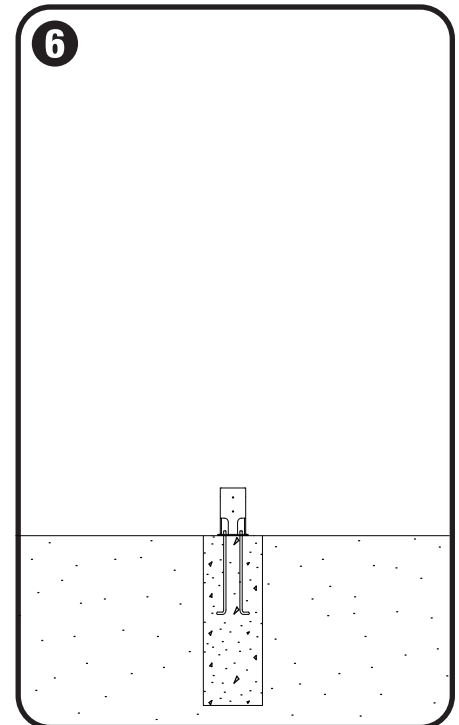
**Caution: Installation of a surge protector as part of each unit's wiring is recommended.**



#### Connect wires

- Insert ground (green), neutral (white), and positive (black) wires into wire nuts, being sure to match wire color codes from conduit to fixture.
- Tighten wire nuts until exposed wire ends are below bottom of wire nut.
- Inspect all wiring and connections before turning power supply on.

**Caution: Light fixture rated for 120-277 VAC power.**



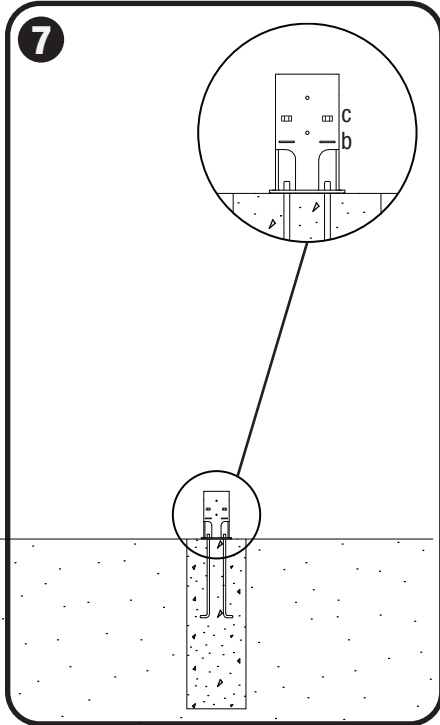
#### Slide base plate onto J-bolt anchors

- Slide base plate over J-bolt anchors and lower to concrete level.

# KNIGHT™ PEDESTRIAN

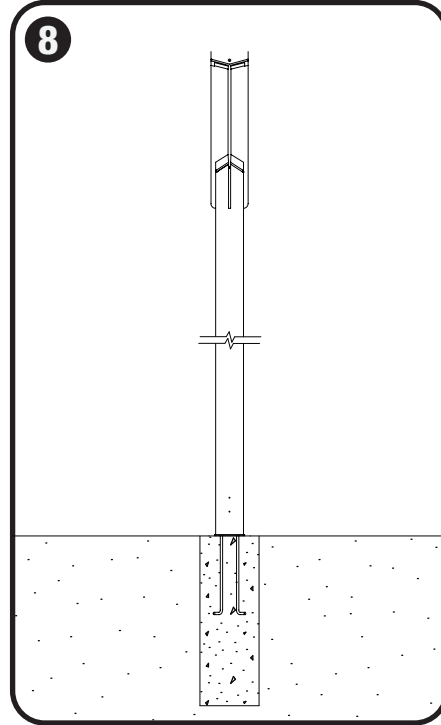
## SURFACE MOUNT INSTALLATION INSTRUCTIONS

### STEP BY STEP FOR ALL KNIGHT PEDESTRIAN LIGHTING



#### Attach base plate & tighten

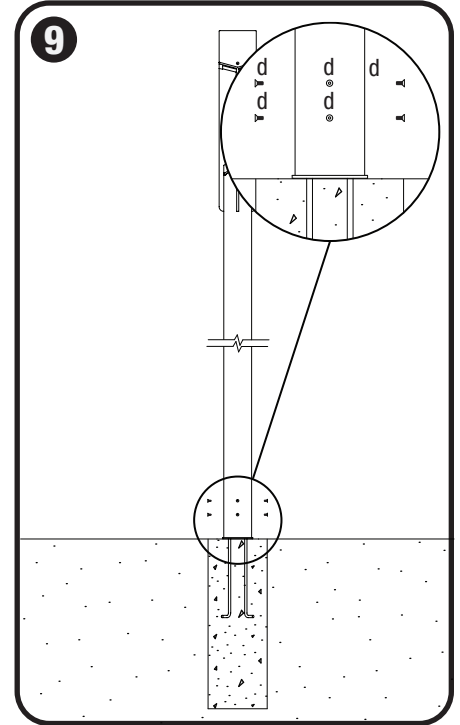
- Slide 1/2" washer (b), then thread 1/2"-13 nut (c) onto each J-bolt anchor.
- Use socket wrench and 3/4" socket to tighten all nuts until snug.



#### Slide pedestrian fixture onto base plate

- Slide fixture over base plate and lower.

NOTE: Fixture must be supported until bolts are attached and tightened in step 9.



#### Attach pedestrian fixture to base plate

- Thread 5/16"-18 x 3/4" tamper-resistant flat head cap bolt (d) into each hole.
- Use 3/16" hex bit for tamper-resistant bolts to tighten all bolts until snug.