



**APTOS™** BOLLARD

PRODUCT DATA





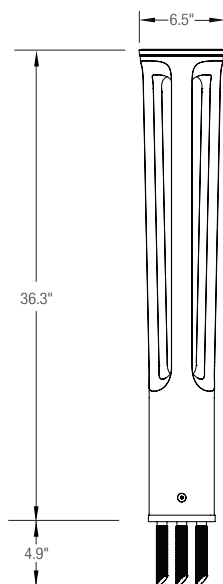
**Aptos Bollards** unite the best of two worlds with solar-powered and hardwired designs that make it easy to carry high-performance LED illumination across a property. Self-contained solar-powered bollards are sleek in appearance and predictively adapt to their surroundings: featuring a self-learning solar lighting controller with intelligent day/night detection, fixtures go on at dusk, off at dawn, for reliable light output when it's needed, without manual reprogramming. Hardwired bollards have the same elegant profile and are ideal for settings where access to wired power already exists or site conditions don't allow for a solar-powered bollard—for example, under dense tree cover or on the shady side of a building. Aptos Bollards and coordinating Aptos Pedestrian Lighting with 3000K LEDs are approved by the International DarkSky Association to minimize light pollution.

**MATERIAL & CONSTRUCTION DETAILS**

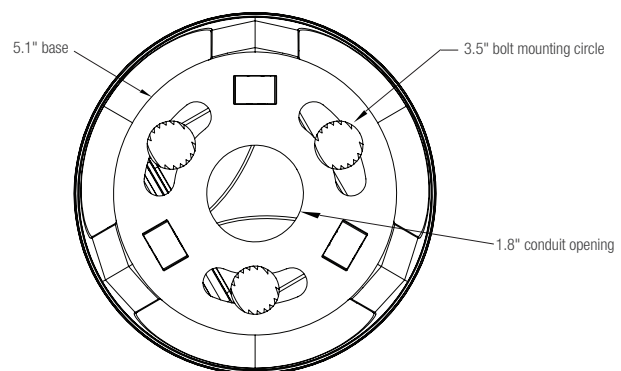
**INSTALLATION & MAINTENANCE**

CONFIGURATIONS	SOLAR BOLLARD COMPONENTS	INSTALLATION
<ul style="list-style-type: none"> <li>Bollards are available in solar-powered or hardwired configurations.</li> <li>Dimensions are 36.5" high x 6.4" diameter.</li> <li>120° or 360° light distribution options are available for both configurations.</li> <li>Weight: solar-powered bollard is 22 lbs.; hardwired bollard is 21.3 lbs.</li> </ul>	<ul style="list-style-type: none"> <li>Cree® LEDs in 3000K warm white and 4000K neutral white color temperatures.</li> <li>Integrated high-efficiency LED driver.</li> <li>High-efficiency monocrystalline cells encapsulated in high-impact, UV resistant polyurethane.</li> <li>High-performance lithium ion phosphate battery with over-discharge and over-current protection.</li> <li>High-efficiency Maximum Power Point Tracking (MPPT) charge controller.</li> <li>Solar Lighting Controller (SLC) is self-learning with intelligent day/night detection.</li> </ul>	<ul style="list-style-type: none"> <li>Bollards must be surface mounted using three tamper-resistant bolts.</li> <li>For hardwired bollards, installation of a surge protector as part of each unit's wiring is recommended.</li> <li>Stainless steel mounting hardware sold separately. Templates available upon request.</li> </ul>
MATERIALS & FINISHES	HARDWIRED BOLLARD LED LAMPS & DRIVER	MAINTENANCE
<ul style="list-style-type: none"> <li>Body is corrosion-resistant cast aluminum with a powdercoat finish.</li> <li>See the Forms+Surfaces Powdercoat Chart for details. Custom RAL colors are available for an upcharge.</li> <li>Due to the inherent nature of metal castings, gloss powdercoats are not offered for cast components.</li> <li>Lens is frosted acrylic.</li> </ul>	<ul style="list-style-type: none"> <li>Cree® LEDs in 3000K warm white and 4000K neutral white color temperatures.</li> <li>9W LED driver is IP64-rated.</li> <li>LED driver input power is 120-277 VAC.</li> <li>Driver has forward phase, reverse phase, and 0-10V dimming capabilities.</li> </ul>	<ul style="list-style-type: none"> <li>Metal surfaces can be cleaned as needed using a soft cloth or brush with warm water and a mild detergent. Avoid abrasive cleaners.</li> </ul>

**NOMINAL DIMENSIONS - SOLAR BOLLARD**

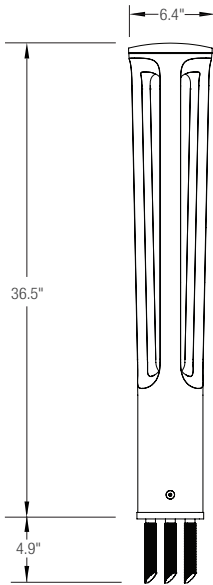


**BASE PLATE MOUNTING DETAIL**

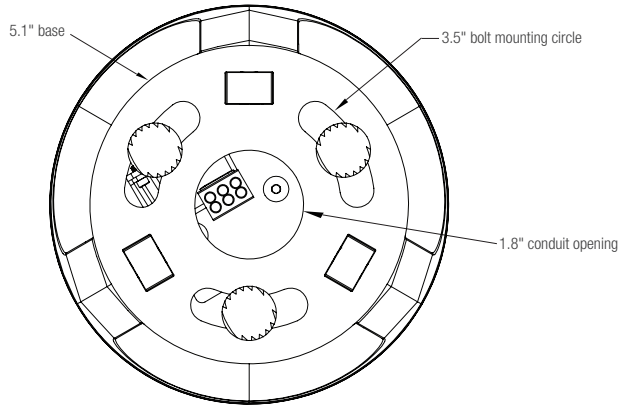




**NOMINAL DIMENSIONS - HARDWIRED BOLLARD**



**BASE PLATE MOUNTING DETAIL**



**LIGHT ENGINE DESCRIPTION - HARDWIRED BOLLARD**

LAMPS	DESCRIPTION	LUMINAIRE LUMENS*	B.U.G. RATINGS
3000K LED	9W custom LED light engine	205	B0-U1-G0
4000K LED	9W custom LED light engine	220	B0-U1-G0

**LIGHT ENGINE DESCRIPTION - SOLAR BOLLARD**

LAMPS	DESCRIPTION	LUMINAIRE LUMENS*	B.U.G. RATINGS
3000K LED	Custom LED light engine	49	B0-U1-G0
4000K LED	Custom LED light engine	53	B0-U1-G0

\*Luminaire lumens represents the absolute photometry for the luminaire, and indicates the lumens out of the entire fixture.

**NOTE:** Polar candela and isofootcandle plots can be found on the Aptos Bollard product page on our website.

**CERTIFICATION**

- ETL and C-ETL listed for wet locations.
- Aptos Bollard 3000K is International DarkSky Approved



**DARKSKY  
APPROVED**  
Reduces light pollution  
Certified by DarkSky.org



**ENVIRONMENTAL CONSIDERATIONS**

- Please refer to the Aptos Bollard Environmental Data Sheets for detailed environmental impact information.
- Metal components have a long life cycle and are 100% recyclable.
- Standard powdercoat finishes are no-VOC; non-standard powdercoat finishes are no- or low-VOC, depending on color.
- Low maintenance; easy to disassemble.
- The low power consumption of LEDs reduces energy consumption.

**MODEL NUMBERS AND DESCRIPTIONS**

MODEL	DESCRIPTION
LBAPT-AC	Aptos Bollard, hardwired
LBAPT-S	Aptos Bollard, solar

**PRODUCT OPTIONS**

The following options are available for an upcharge

Custom RAL powdercoat color	Add stainless steel mounting hardware
-----------------------------	---------------------------------------

**LEAD TIME:** 6 to 8 weeks. Shorter lead times may be available upon request. Please contact us to discuss your specific timing requirements.

**PRICING:** Please contact us at **800.451.0410** or **sales@forms-surfaces.com**. At Forms+Surfaces, we design, manufacture and sell our products directly to you. Our sales team is available to assist you with questions about our products, requests for quotes, and orders. Territory Managers are located worldwide to assist with the front-end specification and quoting process, and our in-house Project Sales Coordinators follow your project through from the time you place an order to shipment.

**TO ORDER SPECIFY:** Quantity, powdercoat color, light distribution, and color temperature. Quote/Order Forms are available on our website to lead you through the specification process in a simple checkbox format.