



ELEVEN™ BIKE RACK

PRODUCT DATA





ELEVEN™ BIKE RACK

PRODUCT DATA

Eleven Bike Racks pair the exceptional performance of stainless steel with colorful design options. Bike racks consist of two tubular elements, a top plate and a base plate (surface-mount models)—all in stainless steel. Each can be specified in a powdercoat color or Satin finish, with the ability to mix and match finishes/colors on individual bike racks. Eleven allows cyclists to lock one or both wheels and accommodates standard U-locks.

MATERIALS & FINISHES

INSTALLATION & MAINTENANCE

MATERIALS	FINISHES	GUIDELINES & SECURITY	INSTALLATION	MAINTENANCE
<ul style="list-style-type: none"> Eleven Bike racks are stainless steel and consist of tubular elements in two heights, a top plate, and a base plate (surface-mount model only). 	<ul style="list-style-type: none"> Eleven Bike Racks allow you to mix and match finishes on a single bike rack. Finish options for each stainless steel element include Satin finish with Ceramiloc treatment (tubular elements have a radial Satin finish; top and base plate edges have a polished finish) or powdercoat colors. See below for finish configuration details. See the Forms+Surfaces Powdercoat Chart for details. Custom RAL colors are available for an upcharge. 	<ul style="list-style-type: none"> Meets Association of Pedestrian and Bicycle Professionals (APBP) guidelines. A locking point detail and mounting configurations that meet APBP guidelines can be found on page 3. 	<ul style="list-style-type: none"> Eleven Bike Racks can be cast-in-place or surface mounted with embedded anchors. Mounting hardware is sold separately. 	<ul style="list-style-type: none"> Metal surfaces can be cleaned as needed using a soft cloth or brush with warm water and a mild detergent. Avoid abrasive cleaners.

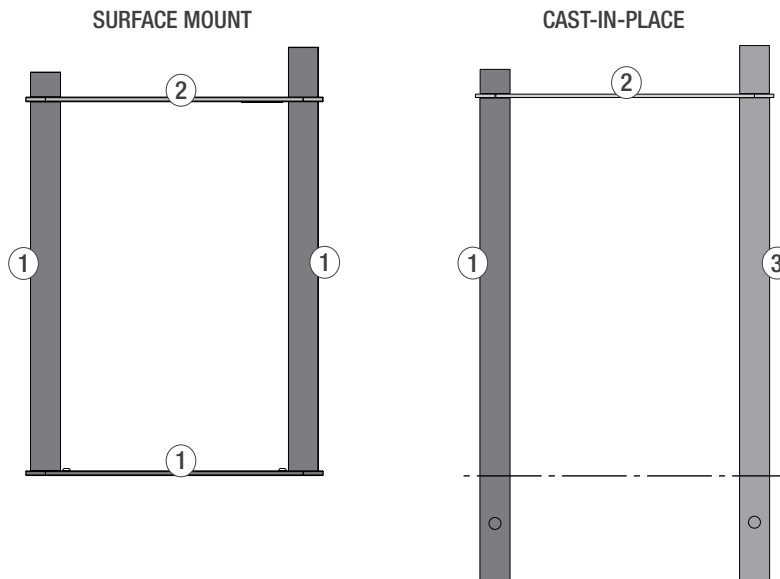
CERAMILOC TREATMENT

Ceramiloc is an invisible surface treatment that offers significantly enhanced protection from weather and graffiti and increases the maintenance ease of stainless steel. Ceramiloc combines ceramic durability with an unparalleled ability to lock out water spots, fingerprints, graffiti and more. Patented technology bonds nano-silica particles to the surface of the stainless steel. The treatment minimally alters the surface appearance of the stainless and offers numerous benefits:

- Easily Cleaned:** The Ceramiloc treatment creates a surface that simultaneously resists fingerprints and is easy to clean. Water spots, grease marks and more can be quickly wiped away. It also creates an “anti-graffiti” surface – even permanent marker is easily removed with a clean microfiber towel and water.
- Durable:** Ceramiloc-treated materials are abrasion- and scratch-resistant. The treatment is permanent, UV stable, and will not degrade or discolor over time.
- Environmentally Sound:** The Ceramiloc treatment is a no-VOC, water-based process. Because Ceramiloc surfaces are so easily maintained, cleaning solutions and maintenance are kept to a minimum.

FINISH CONFIGURATIONS

Eleven Bike Rack elements are available in either a powdercoat finish or Satin finish with Ceramiloc treatment. Finish configuration options vary per bike rack model. Two finishes/colors can be selected for surface-mount models, while three finishes/colors can be selected for cast-in-place models. Numbers below represent finish placement. For both models, all elements can be specified in a single finish/color.



T 800.451.0410 | www.forms-surfaces.com

FORMS+SURFACES®

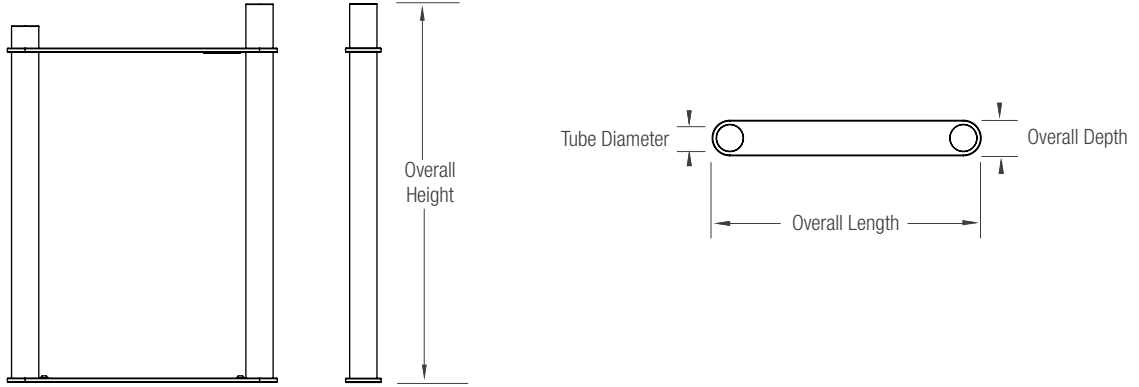
© 2022 Forms+Surfaces® | All dimensions are nominal. Specifications and pricing subject to change without notice. For the most current version of this document, please refer to our website at www.forms-surfaces.com



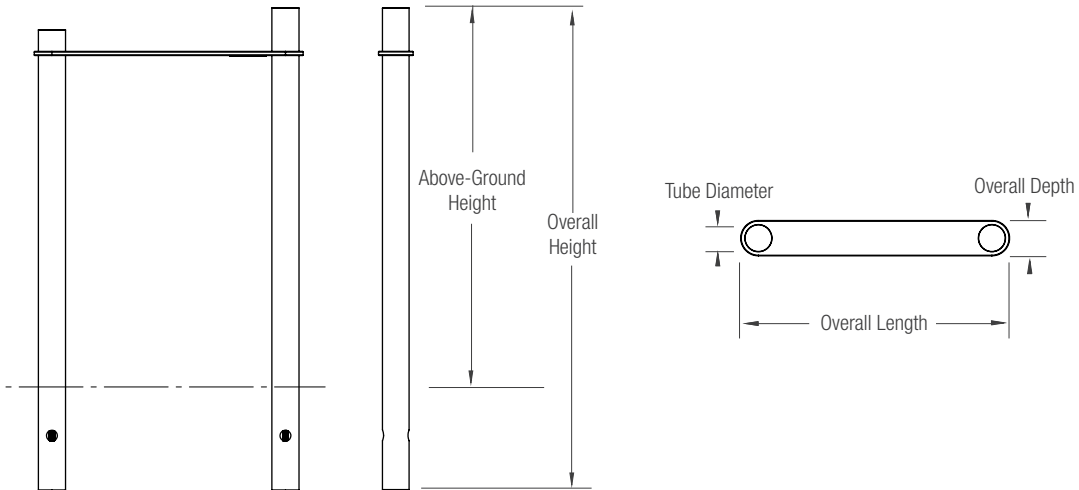
ELEVEN™ BIKE RACK

PRODUCT DATA

NOMINAL DIMENSIONS



MODEL	OVERALL HEIGHT	OVERALL LENGTH	OVERALL DEPTH	POLE DIAMETER	WEIGHT
SKELE-SM	34.4" (873.8 mm)	24.8" (629.9 mm)	3.3" (83.8 mm)	2.5" (63.5 mm)	39 lbs (17.7 kg)



MODEL	ABOVE-GROUND HEIGHT	OVERALL HEIGHT	OVERALL LENGTH	OVERALL DEPTH	DIAMETER	WEIGHT
SKELE-CIP	34.4" (873.8 mm)	44.4" (1127.8 mm)	24.8" (629 mm)	3.3" (83.8 mm)	2.5" (63.5 mm)	36.4 lbs (6.7 kg)

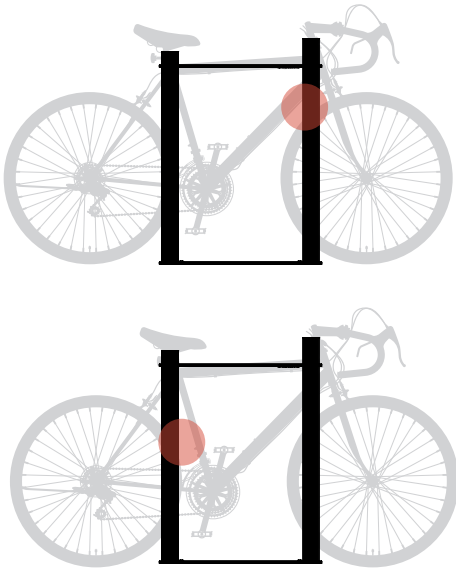



ELEVEN™ BIKE RACK

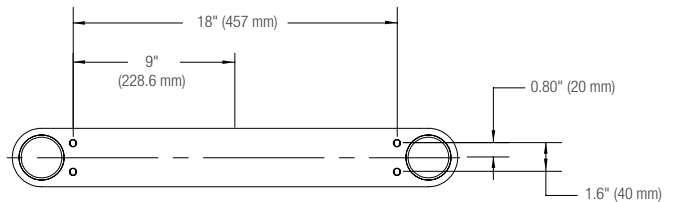
PRODUCT DATA

LOCKING POINT AND CONFIGURATION EXAMPLES

The Eleven Bike Rack was designed to allow for a multitude of locking point and configuration options to meet your individual needs. Please note that for optimal performance, Forms+Surfaces recommends a 48" center-to-center placement. See diagrams below and the separate installation instructions document for more details.

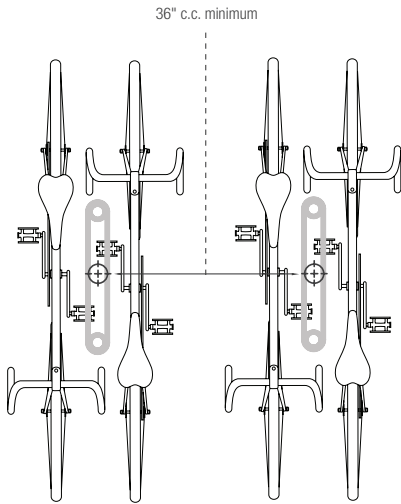


 A standard U-lock can be locked at this location to meet APBP guidelines for security and functionality.

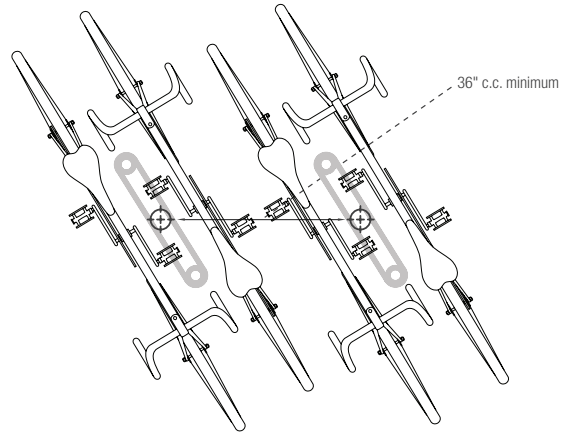


LOCKING POINT EXAMPLE

MOUNTING / HARDWARE DETAIL



CONFIGURATION EXAMPLE A



CONFIGURATION EXAMPLE B

T 800.451.0410 | www.forms-surfaces.com

FORMS+SURFACES®

© 2022 Forms+Surfaces® | All dimensions are nominal. Specifications and pricing subject to change without notice. For the most current version of this document, please refer to our website at www.forms-surfaces.com



ELEVEN™ BIKE RACK

PRODUCT DATA

ENVIRONMENTAL CONSIDERATIONS

- Please refer to the Eleven Bike Rack Environmental Data Sheet for detailed environmental impact information.
- Eleven Bike Rack has 66% recycled content and is fully recyclable.
- Standard powdercoat finishes are no-VOC; non-standard powdercoat finishes are no- or low-VOC, depending on color.
- Low maintenance.

MODEL NUMBERS AND DESCRIPTIONS

MODEL	DESCRIPTION
SKELE-SM	Eleven Bike Rack, surface mount
SKELE-CIP	Eleven Bike Rack, cast-in-place

PRODUCT OPTIONS

The following options are available for an upcharge

Stainless steel anchors and tamper-resistant stainless steel bolts	Custom RAL powdercoat color
Add powdercoat color from F+S Powdercoat Chart	

LEAD TIME: 6 to 8 weeks. Shorter lead times may be available upon request. Please contact us to discuss your specific timing requirements.

PRICING: Please contact us at **800.451.0410** or **sales@forms-surfaces.com**. At Forms+Surfaces, we design, manufacture and sell our products directly to you. Our sales team is available to assist you with questions about our products, requests for quotes, and orders. Territory Managers are located worldwide to assist with the front-end specification and quoting process, and our in-house Project Sales Coordinators follow your project through from the time you place an order to shipment.

TO ORDER SPECIFY: Quantity, model, and powdercoat color for base castings. Quote/Order Forms are available on our website to lead you through the specification process in a simple checkbox format.