



LEVELc™ COLUMN SYSTEM

PRODUCT DATA





LEVELc™ COLUMN SYSTEM

PRODUCT DATA

The **LEVELc Column System** is a durable, versatile solution for cladding existing structural columns. Offering impressive design flexibility, the system consists of column covers in stainless steel and Fused Metal. Coordinating bases and other trim elements round out the options. The LEVELc Column System is expertly engineered and tailored per project to suit real-world field conditions. It can be adapted for a wide range of performance and site-specific criteria, used with round, square, elliptical, or irregularly shaped columns, and is a great way to complement other architectural elements within a space.

SYSTEM COMPONENTS

Standard: Facing Material, Hat Channel

Optional: Trim Ring, Base Facing, Reveal Fin

STANDARD MATERIAL OPTIONS

| STAINLESS STEEL | FUSED METAL |
|---|---|
| Stainless Steel in all of our standard finishes can be specified for column covers. A variety of optional patterns, applied to the stainless steel/finish combination, can also be specified for added visual interest and enhanced functionality. Impression patterns bring dimension to the surface; eco-friendly Eco-Etch patterns offer a wide array of standard designs and vast customization potential. Please refer to the Stainless Steel Product Data Sheet for finish and pattern swatches and additional information. | Fused Metal is Forms+Surfaces' exclusive line of colored stainless steel. Created by fusing titanium alloys to the stainless substrate at the molecular level, Fused Metal provides the durability and low maintenance of stainless steel in a rich range of colors. Please refer to the Fused Metal Product Data Sheet for color, finish, and pattern swatches and additional information. |

COLUMN COVER DETAILS

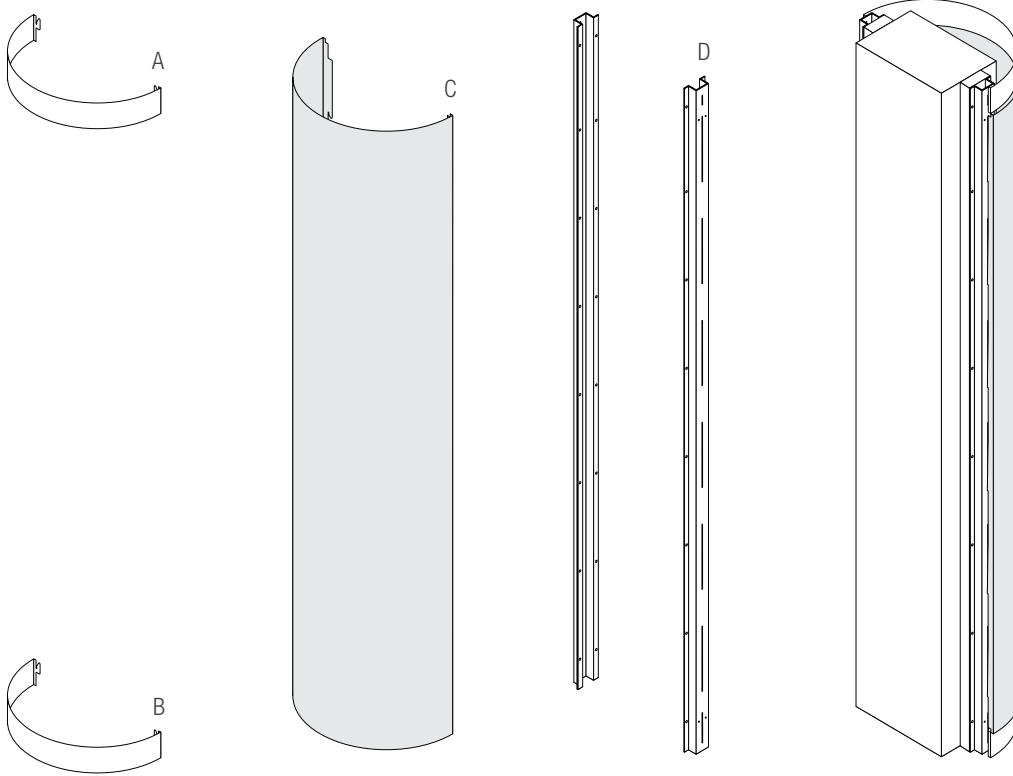
| WIDTH & DIAMETERS | HEIGHT |
|--|--|
| Standard installation (refer to page 6) applies to column covers with a width less than or equal to 20" or a diameter less than or equal to 28". Widths and diameters that exceed these dimensions can be accommodated by using additional facing material, but those column covers will have additional vertical seams. The existing structural column, to which the column cover will be mounted, may need additional blocking to achieve desired width. | The maximum height for column covers is 119.5". Column covers can be stacked for heights greater than 119.5". A hairline seam or reveal is required when column covers are stacked. |
| TRIM | REVEALS |
| The trim ring, used to conceal the engagement area, is optional. The trim ring has a minimum height of 2.5" to cover the area completely. Base facing is also optional, with dimensions specified by the customer. Trim can be specified in the same material or a different material and finish than the column cover. | Column covers are available with or without recessed reveals. Reveal fins have a thickness of .125" or .25" and will be a polished finished in the same material as column cover body. |



LEVELc™ COLUMN SYSTEM

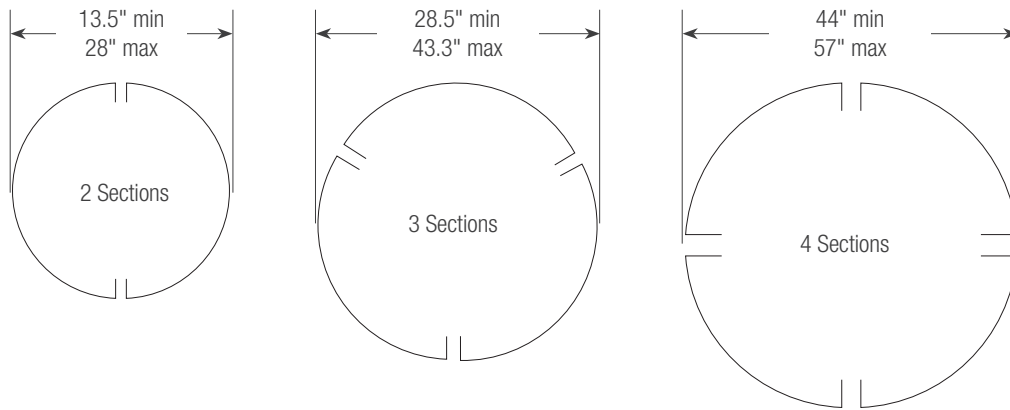
PRODUCT DATA

ROUND COLUMN COVERS



- A. Trim Ring
- B. Base Facing
- C. Facing Material
- D. Hat Channel

ROUND COLUMN COVER DIAMETERS



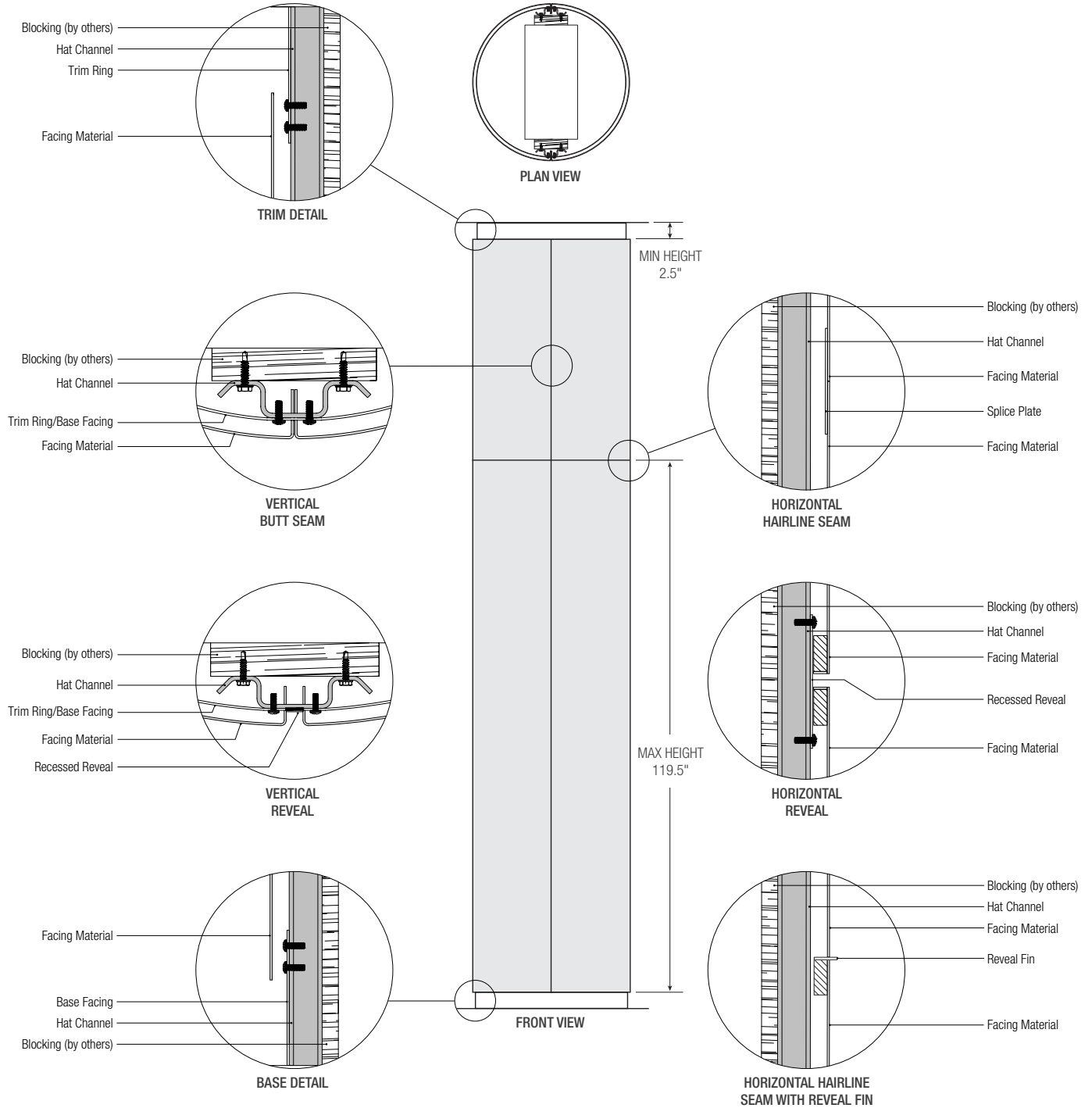


LEVELc™ COLUMN SYSTEM

PRODUCT DATA

ROUND COLUMN COVER DETAILS

Column Covers can be stacked as high as needed. F+S requires a 2.5" minimum clearance for installation of top panel unless ceiling will be installed afterward.

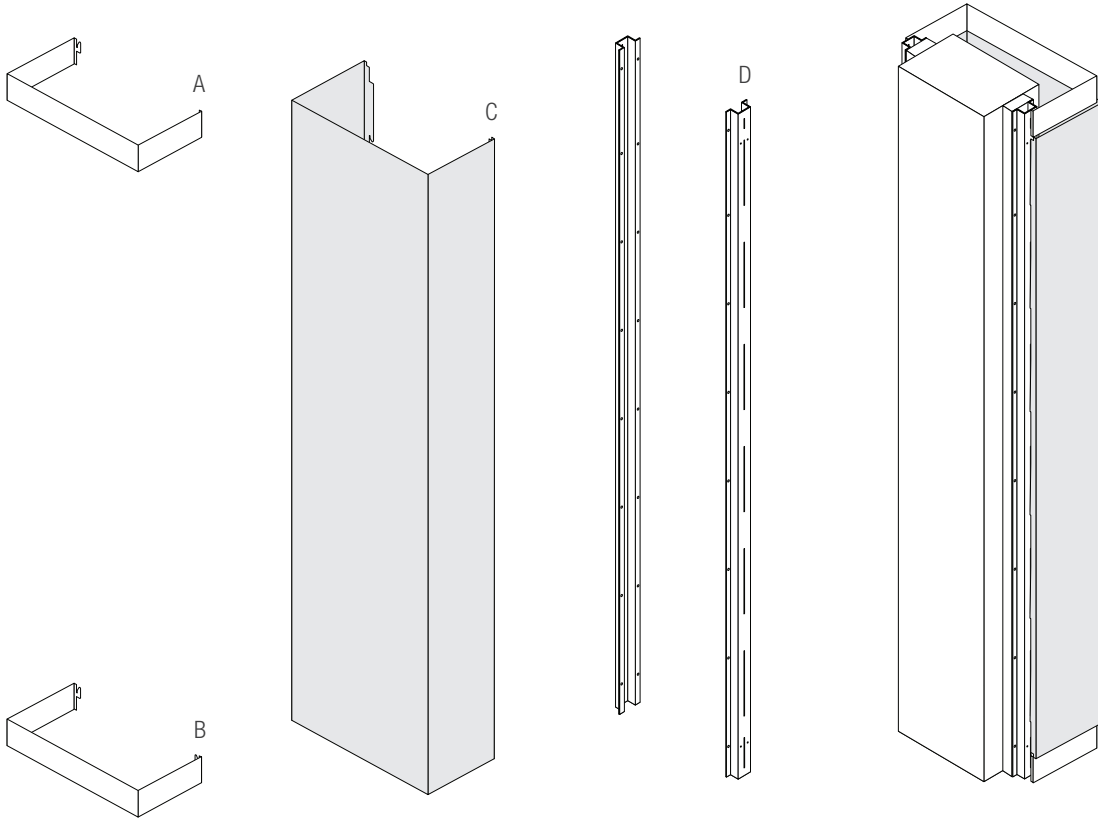




LEVELc™ COLUMN SYSTEM

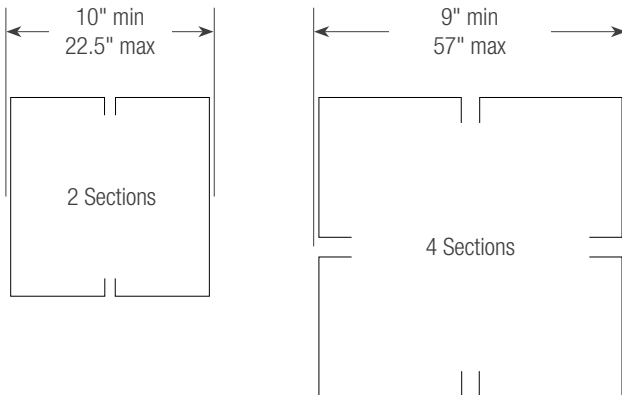
PRODUCT DATA

SQUARE COLUMN COVERS



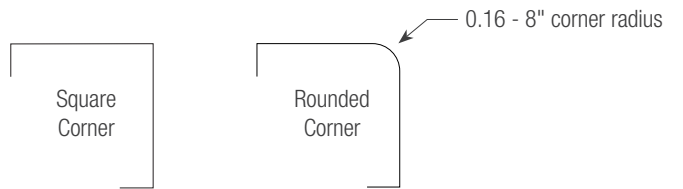
- A. Trim Ring
- B. Base Facing
- C. Facing Material
- D. Hat Channel

SQUARE COLUMN COVER DIMENSIONS



CORNER OPTIONS

Square column covers can have either a square or rounded corner.



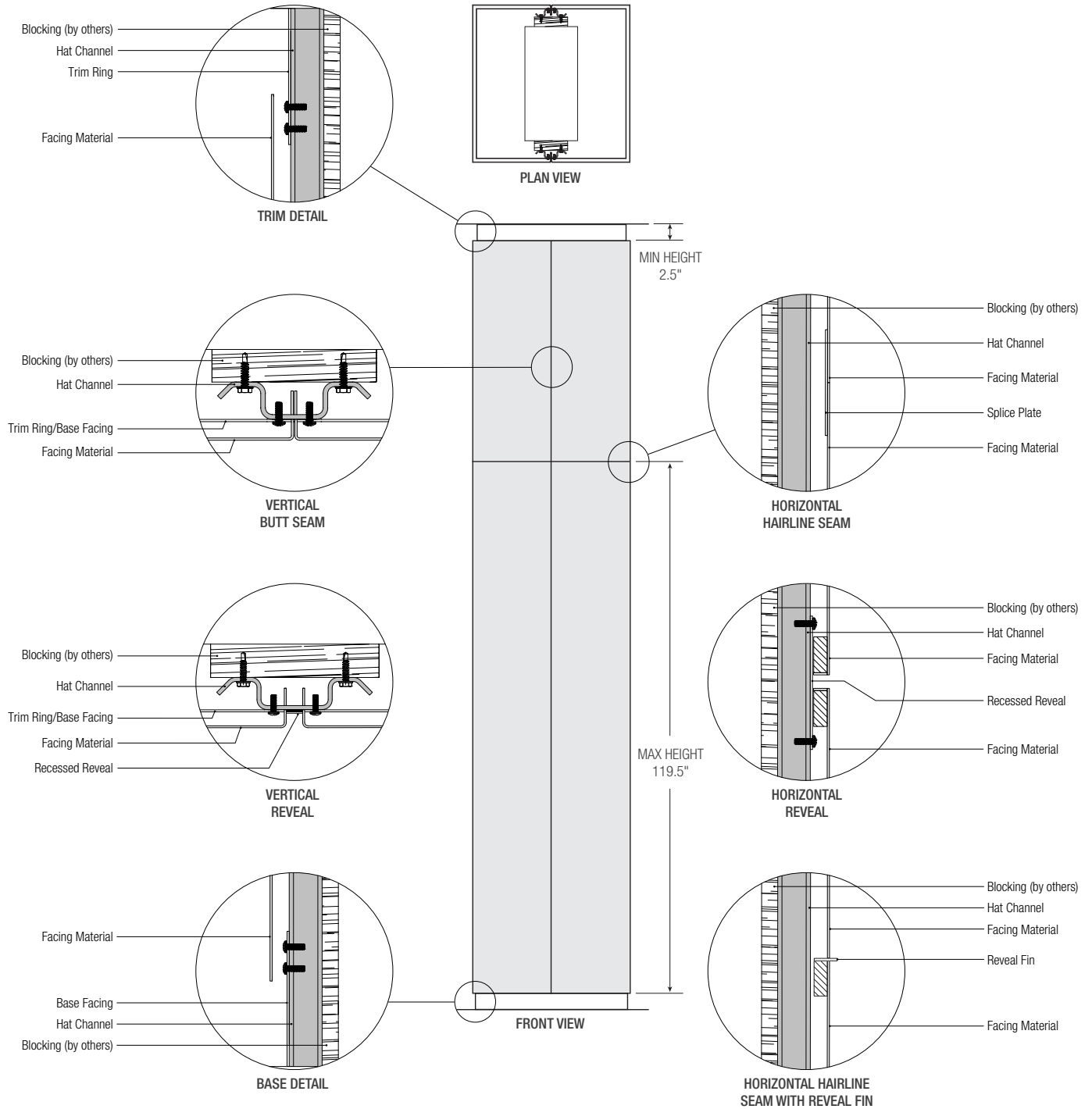


LEVELc™ COLUMN SYSTEM

PRODUCT DATA

SQUARE COLUMN COVER DETAILS

Column Covers can be stacked as high as needed. F+S requires a 2.5" minimum clearance for installation of top panel unless ceiling will be installed afterward.





LEVELc™ COLUMN SYSTEM

PRODUCT DATA

CONSTRUCTION DETAILS

| CONSTRUCTION | TECHNICAL SUPPORT & PROJECT MANAGEMENT |
|--|---|
| The construction and appearance of column covers differ depending on the specific project needs. Please see pages 2-5 for standard details of round and square column covers. For additional details regarding your project, refer to the drawings provided by your project manager. | Because each project is unique, our knowledgeable support team is ready to help. Our technical sales, engineering, sustainability, and project management professionals regularly assist our clients worldwide. |

RELATED PRODUCTS

| ELEVATOR DOOR SKINS | DOORS |
|---|---|
| Forms+Surfaces Elevator Door Skins are available in many of the same materials and finishes as those offered for LEVELc Columns, and Elevator Interiors. Please refer to our Elevator Doors Product Data Sheets for additional information. | Forms+Surfaces manufactures a full range of doors and door pulls in materials and finishes that complement those offered for the LEVELc Column System. Please refer to individual Door and Door Pull Product Data Sheets for additional information. |
| LEVELe WALL CLADDING, COLUMNS AND ELEVATOR INTERIORS | LEVELr WALL CLADDING AND COLUMN SYSTEMS |
| LEVELe Wall Cladding, Columns and Elevator Interiors incorporate the same materials and finishes as those offered for the LEVELc Column System. Please refer to the individual LEVELe Wall Cladding, Columns and Elevator Interiors Product Data Sheets for additional information. | LEVELr Wall Cladding and Column Systems incorporate the same materials and finishes as those offered for LEVELc Column System. Please refer to the individual LEVELr Wall Cladding and Column Systems Product Data Sheets for additional information. |
| ARCHITECTURAL ACCENTS | |
| Coordinating sheet goods are available for headers, jams, returns, transoms and other architectural features. Our litter & recycling receptacles, site furnishings and other amenities are all available in materials and finishes that complement those offered in the LEVELc Column System. | |

INSTALLATION & MAINTENANCE

| STANDARD INSTALLATION | MAINTENANCE |
|--|---|
| LEVELc Column Systems are easy to install and arrive measured to specified conditions. Column covers are affixed to existing structural columns with a blocking element, mounting channel and the included hardware. This allows for our materials to be incorporated into an existing building or added to a new project. Refer to Column Installation Instructions located on the product page on our website. | Fingerprints and smudges can be removed using a non-chlorinated spray cleaner/ degreaser such as Simple Green® and a microfiber cloth. Do not use harsh abrasives, acids or chlorine-based cleaners or cleaning tools containing carbon steel, such as steel wool or wire brushes. Stainless Steel and Fused Metal are non-porous surfaces that have been tested and can be successfully disinfected with Simple Green d Pro 3 Plus, a disinfectant, fungicide, virucide, mildewstat, and sanitizer that kills 99.9% of germs. |

HOW TO SPECIFY

A Design Guide is available to lead you through the specification process in a simple, checkbox format. The Design Guide captures all the information needed to generate a quote: configuration, dimensions, finishes, patterns and other options. To get started, just give us a call or visit us at www.forms-surfaces.com.