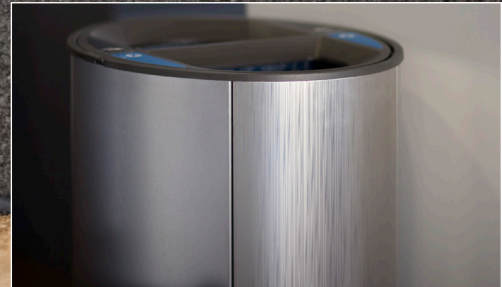




**ORBIT™** LITTER & RECYCLING RECEPTACLE

PRODUCT DATA







# ORBIT™ LITTER & RECYCLING RECEPTACLE

PRODUCT DATA

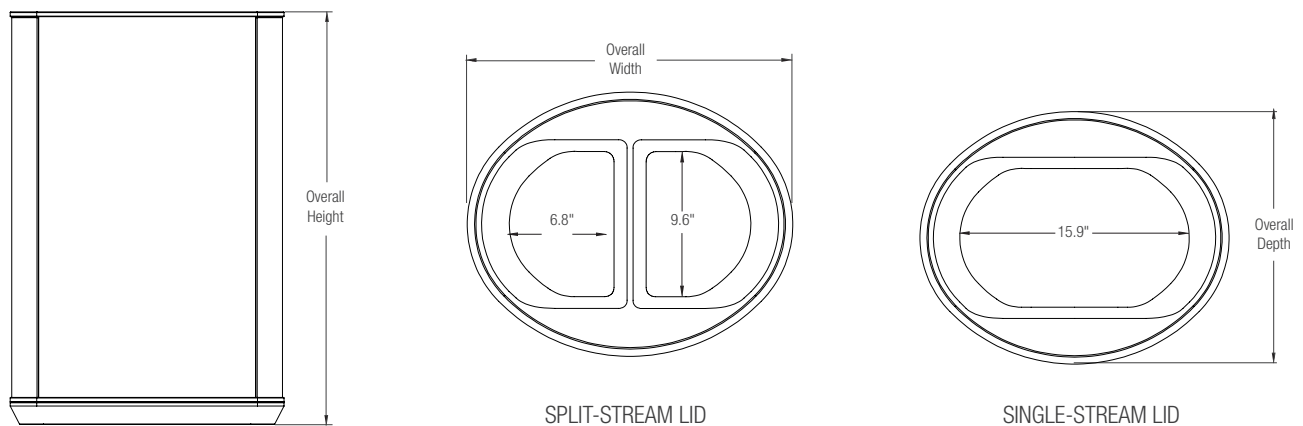
**Orbit Litter & Recycling Receptacles** are an attractive, versatile solution with a sleek elliptical shape and space-saving footprint. Durable stainless steel bodies feature four-panel construction that offers impressive design flexibility. Single- and split-stream options address a wide range of waste collection needs. Sturdy enough for outdoor use and beautiful indoors as well, Orbit maintains a clean aesthetic while offering a way to keep waste in its place.

## MATERIAL & CONSTRUCTION DETAILS

## INSTALLATION & MAINTENANCE

BODY MATERIALS, FINISHES & PATTERNS	FRAME	LID & GRAPHICS	INSTALLATION
<ul style="list-style-type: none"> <li>Receptacle bodies consist of two panel types: main panels and accent panels. Main panels cover the wide sides of the receptacle; accent panels cover the narrow sides.</li> <li>All body panels are stainless steel and are available with a choice of finishes: Sandstone, Seastone, Linen, Diamond and Satin.</li> <li>Main and accent panels can be specified in the same or different finishes.</li> <li>Accent panels are also available with decorative patterns. Patterns are not applicable for main panels.</li> <li>Refer to page 2 for Finish and Pattern options.</li> </ul>	<ul style="list-style-type: none"> <li>Top and bottom rings are corrosion-resistant solid cast aluminum with powdercoat finish. Vertical frame supports are stainless steel.</li> <li>See the Forms+Surfaces Powdercoat Chart for details. Custom RAL colors are available for an upcharge.</li> <li>Due to the inherent nature of metal castings, gloss powdercoats are not offered for cast components.</li> </ul>	<ul style="list-style-type: none"> <li>The top-opening, hinged lid is made of corrosion-resistant cast aluminum with powdercoat finish.</li> <li>See the Forms+Surfaces Powdercoat Chart for details. Custom RAL colors are available for an upcharge.</li> <li>Both single-stream and split-stream lids include instructional graphics with black, blue, or green backgrounds and white messages and symbols, clearly indicating the use for each opening.</li> <li>Graphics are printed on the back of clear, lightly textured polycarbonate, protecting them from wear over time.</li> </ul>	<ul style="list-style-type: none"> <li>Orbit may be used freestanding or surface mounted.</li> <li>Levelers are supplied for all units.</li> <li>For surface mounting, stainless steel anchors and mounting bolts sold separately.</li> </ul>
	BASE	LINERS	
	<ul style="list-style-type: none"> <li>Receptacle base is made of heavy black recycled rubber. Slight variation in color can occur due to the material's recycled nature.</li> <li>The base has a UL94HB fire rating.</li> </ul>	<ul style="list-style-type: none"> <li>Orbit uses replaceable internal liners designed to be used with or without plastic litter bags.</li> <li>Liners are molded from durable black polyethylene with a UL94HB fire rating.</li> </ul>	<ul style="list-style-type: none"> <li>Metal surfaces can be cleaned as needed using a soft cloth or brush with warm water and a mild detergent. Avoid abrasive cleaners.</li> </ul>

## NOMINAL DIMENSIONS



MODEL	OVERALL HEIGHT	OVERALL WIDTH	OVERALL DEPTH	OVERALL WEIGHT	CAPACITY
SLORB-130	32.1" (815 mm)	21.6" (549 mm)	17.6" (447 mm)	77 lbs (35 kg)	30 gallons (114 liters)
SLORB-213	32.1" (815 mm)	21.6" (549 mm)	17.6" (447 mm)	77 lbs (35 kg)	26 (2x13) gallons (98 liters)

T 800.451.0410 | [www.forms-surfaces.com](http://www.forms-surfaces.com)

**FORMS+SURFACES®**

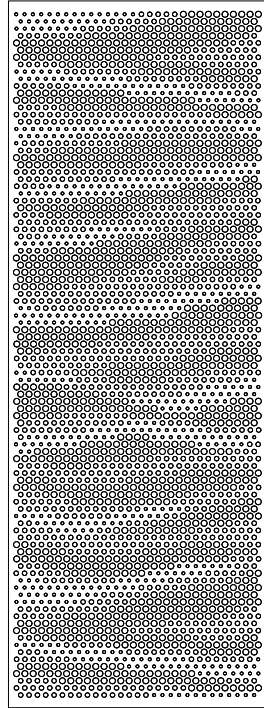
© 2021 Forms+Surfaces® | All dimensions are nominal. Specifications and pricing subject to change without notice. For the most current version of this document, please refer to our website at [www.forms-surfaces.com](http://www.forms-surfaces.com).



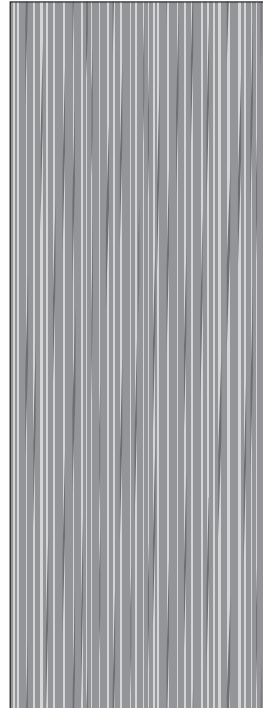
# ORBIT™ LITTER & RECYCLING RECEPTACLE

PRODUCT DATA

## ACCENT PANEL PATTERN OPTIONS



SCAPE PERFORATION



SEAGRASS ECO-ETCH

(not applicable with Sandstone, Linen or Diamond finishes)

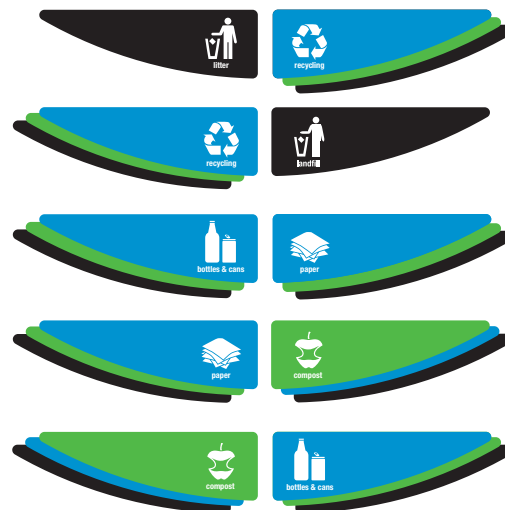
## STANDARD GRAPHICS

Instructional graphics for Orbit lids are available with a variety of messages and colors. All graphics are available with black backgrounds. Recycling, bottles & cans, paper, and compost graphics are also available with blue or green backgrounds to clearly indicate recycling streams. All letters and symbols are white.

### SINGLE-STREAM



### SPLIT-STREAM



T 800.451.0410 | [www.forms-surfaces.com](http://www.forms-surfaces.com)

**FORMS+SURFACES®**

© 2021 Forms+Surfaces® | All dimensions are nominal. Specifications and pricing subject to change without notice. For the most current version of this document, please refer to our website at [www.forms-surfaces.com](http://www.forms-surfaces.com).



## ORBIT™ LITTER & RECYCLING RECEPTACLE

PRODUCT DATA

### ENVIRONMENTAL CONSIDERATIONS

- Please refer to the Orbit Litter & Recycling Receptacle Environmental Data Sheet for detailed environmental impact information.
- Orbit has a high recycled content.
- All components are fully recyclable.
- Powdercoat finishes are no- or low-VOC, depending on color.
- Low maintenance.

### MODEL NUMBERS AND DESCRIPTIONS

MODEL	DESCRIPTION
SLOB-130S	Orbit Receptacle, Stainless Steel, single-stream, (1) 30-gallon liner
SLOB-213S	Orbit Receptacle, Stainless Steel, split-stream, (2) 13-gallon liners

### PRODUCT OPTIONS

The following options are available for an upcharge

Add standard perforation or Eco-Etch pattern to accent panels	Add stainless steel mounting hardware
---------------------------------------------------------------	---------------------------------------

**LEAD TIME:** 6 to 8 weeks. Shorter lead times may be available upon request. Please contact us to discuss your specific timing requirements.

**PRICING:** Please contact us at **800.451.0410** or **sales@forms-surfaces.com**. At Forms+Surfaces, we design, manufacture and sell our products directly to you. Our sales team is available to assist you with questions about our products, requests for quotes, and orders. Territory Managers are located worldwide to assist with the front-end specification and quoting process, and our in-house Project Sales Coordinators follow your project through from the time you place an order to shipment.

**TO ORDER SPECIFY:** Quantity, model, main panel, accent panel, lid graphics, freestanding or surface mount. Quote/Order Forms are available on our website to lead you through the specification process in a simple checkbox format.

**NOTE:** Because different computers will render colors and textures differently, actual colors and finishes may vary from those shown here.