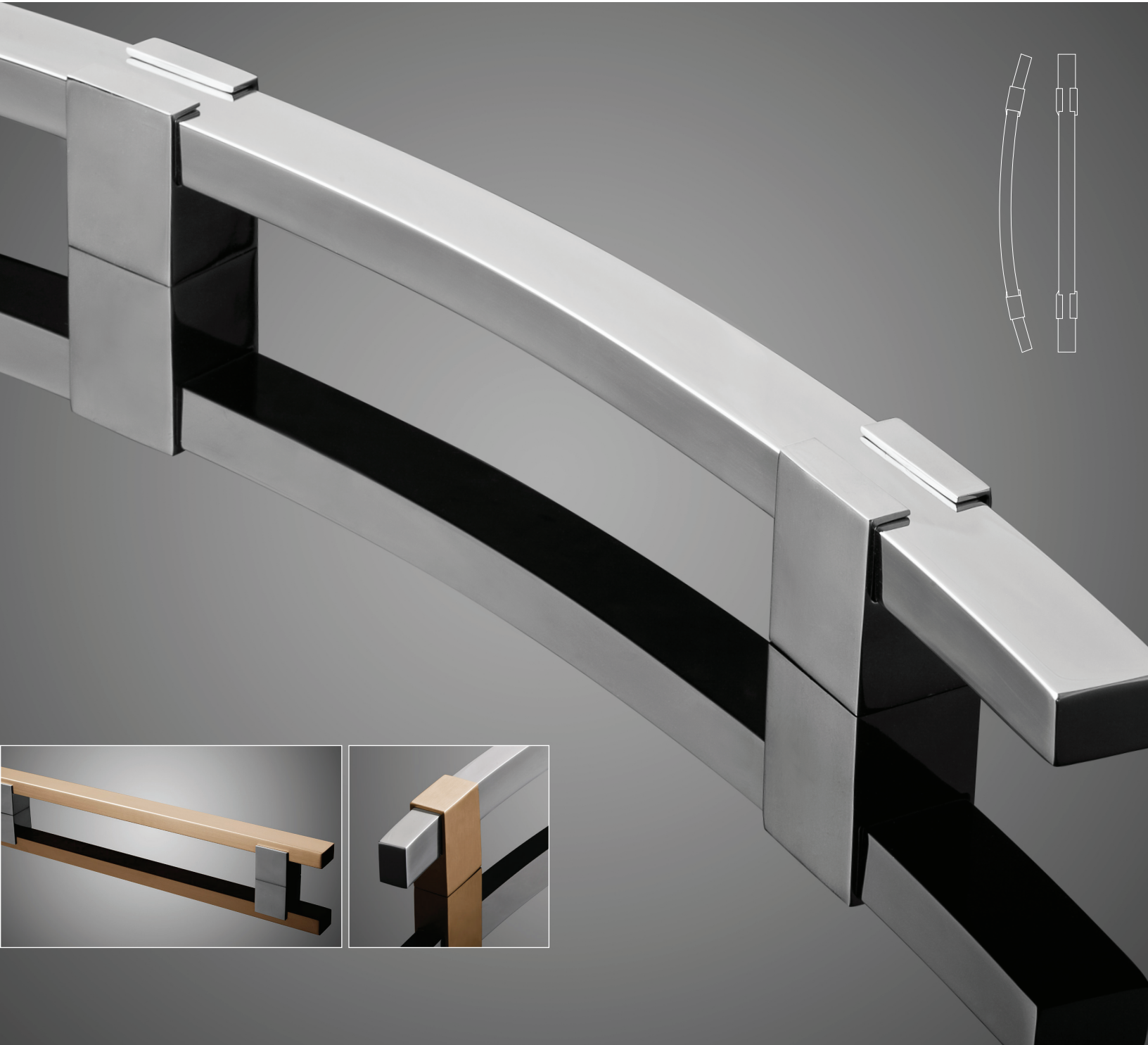




**QUADRANT™** DOOR PULLS / HDQUA SERIES

PRODUCT DATA





## QUADRANT™ DOOR PULLS / HDQUA SERIES

PRODUCT DATA

The Quadrant Collection combines the bold look and superb craftsmanship of custom pulls with the versatility and cost-effectiveness of a standardized system. Choose from multiple grip and standoff designs, mix metals and finishes, and combine grips with standoffs in almost limitless variations. All Quadrant Door Pulls use the same 1" x 1.5" (25mm x 38mm) grips; it is the standoff selection that determines the door pull profile. Quadrant Door Pulls are grouped by grip orientation into two distinct series: Series 1000 and Series 1500. Based on the collection's unique "kit of parts" format, both give specifiers countless ways to get creative with their door pull solutions.

### SERIES DETAILS

Sizing of Quadrant Door Pulls is largely defined by the customer, not by pre-set options. In most cases, overall lengths and/or center-to-center dimensions are variable and allow customers to specify grip lengths and/or standoff spacing to meet project-specific requirements.

DESIGN ELEMENTS	SERIES 1000	SERIES 1500
Individual Quadrant Door Pulls consist of two basic elements that must be specified separately: Grips and Standoffs.	Series 1000 uses a 1" x 1.5" (25mm x 38mm) grip oriented with the narrower 1" (25mm) side of the rectangular grip facing outwards with correspondingly narrow standoffs. Series 1000 is ideal for any application where a slimmer, more understated door pull profile is desired.	Series 1500 uses a 1" x 1.5" (25mm x 38mm) grip oriented with the wider 1.5" (38mm) side of the rectangular grip facing outwards with correspondingly wide standoffs. Series 1500 is ideal for any application where a bolder, more substantial door pull profile is desired.
<b>GRIPS:</b> The "graspable" part of the pull. Design options include straight or curved versions.	Straight Series 1000 grips are available in any length up to 100" (2540mm). Arc grips are available 24" (610mm) oal. Center-to-center spacing of standoffs on straight and arc grips is defined by the customer. Standoffs are attached to grips at F+S factory.	Straight Series 1500 grips are available in any length up to 100" (2540mm). Arc grips are available 24" (610mm) oal. Center-to-center spacing of standoffs on straight and arc grips is defined by the customer. Standoffs are attached to grips at F+S factory.
<b>STANDOFFS:</b> The two (or more) elements that support the grip. Design options vary.	In addition to door pull applications, Quadrant Series 1000 is also offered as an ADA compliant handrail in our Elevator Interiors (excluding HDQUA007). Please call or visit our website for more information.	In addition to door pull applications, Quadrant Series 1500 is also offered as an ADA compliant handrail in our Elevator Interiors (excluding HDQUA007). Please call or visit our website for more information.

### PRODUCT DETAILS

The following applies to all Quadrant Door Pull designs shown on pages 3-4.

MATERIAL & FINISH			GRIPS		STANDOFFS		MAINTENANCE
			1000	1500	1000	1500	
Stainless Steel	US32	Polished Stainless Steel	•	•	•	•	Quadrant Door Pulls are well-suited for interior or exterior use. Regular maintenance will help ensure the lasting beauty of each pull.  For more information, please refer to the Door Hardware Care & Maintenance document found on our website.
	US32D	Satin Stainless Steel	•	•	•	•	
	SSS	Stippled Stainless Steel	•	•	•	•	
Bronze	US9	Polished Bronze	•	•	•	•	
	US10	Satin Bronze	•	•	•	•	
	US10B	Oil-Rubbed Bronze	•	•	•	•	
	SBR	Stippled Bronze	•	•	•	•	
	S10	Stippled Oil-Rubbed Bronze	•	•	•	•	
Santoprene	*BLACK	Santoprene Elastomer	•	•			
*Black Santoprene elastomer grips are supplied with stainless steel or bronze end caps finished to match the standoffs selected for your door pulls.							



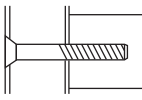
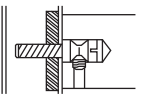
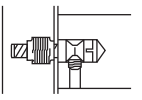
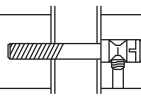
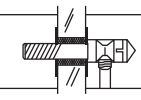
## QUADRANT™ DOOR PULLS / HDQUA SERIES

PRODUCT DATA

### MOUNTING OPTIONS

Quadrant Door Pulls are installed using Mounting System “C” as shown below. To ensure a secure installation, a thread-locking adhesive such as Loctite® is recommended. For more information, refer to the Door Pull Installation Manual on our website.

### MOUNTING SYSTEM "C"

				
<b>C1</b>	<b>C2</b>	<b>C3*</b>	<b>C4</b>	<b>C5</b>
Single mount	Concealed single mount	Concealed single mount	Back-to-back mount	Back-to-back mount
Solid wood core or hollow metal door with through bolt.	Hollow metal door with shoulder bolt and customer's reinforcement.	Solid wood core door with shoulder bolt and threaded insert.	Solid wood core or hollow metal door with shoulder bolt.	Tempered glass door with shoulder bolt.

\*Forms+Surfaces offers but does not recommend concealed mounting on wood doors. Frequent or heavy use can compromise the integrity of this mounting.

### HOW TO SPECIFY



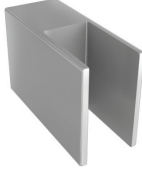
Provide model numbers, grip length, quantity, metal and finish, mounting option, and door material and thickness. Refer to the standalone Door Hardware Price List on our website for list pricing.

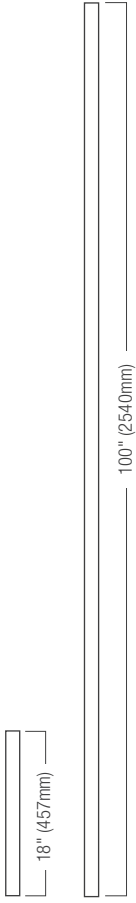



**QUADRANT™** DOOR PULLS / HDQUA SERIES

PRODUCT DATA

DESIGN OPTIONS - SERIES 1000

STANDOFFS								
 <table border="1"> <tr> <td>projection</td> <td>3.14" (80mm)</td> </tr> </table>	projection	3.14" (80mm)	 <table border="1"> <tr> <td>projection</td> <td>3.14" (80mm)</td> </tr> </table>	projection	3.14" (80mm)	 <table border="1"> <tr> <td>projection</td> <td>3.14" (80mm)</td> </tr> </table>	projection	3.14" (80mm)
projection	3.14" (80mm)							
projection	3.14" (80mm)							
projection	3.14" (80mm)							
<b>HDQUA008 - BLOCK</b>	<b>HDQUA009 - CLAMP</b>	<b>HDQUA010 - VISE</b>						

GRIPS - 1" x 1.5" (25mm x 38mm)															
	<table border="1"> <thead> <tr> <th>model #</th> <th>oal</th> </tr> </thead> <tbody> <tr> <td>HDQUA001</td> <td>straight up to 18" (457mm)</td> </tr> <tr> <td>HDQUA002</td> <td>straight 18.25" to 24" (464mm to 610mm)</td> </tr> <tr> <td>HDQUA003</td> <td>straight 24.25" to 48" (616mm to 1219mm)</td> </tr> <tr> <td>HDQUA004</td> <td>straight 48.25" to 72" (1226mm to 1829mm)</td> </tr> <tr> <td>HDQUA005</td> <td>straight 72.25" to 92" (1835mm to 2337mm)</td> </tr> <tr> <td>HDQUA006</td> <td>straight 92.25" to 100" (2343mm to 2540mm)</td> </tr> </tbody> </table> 	model #	oal	HDQUA001	straight up to 18" (457mm)	HDQUA002	straight 18.25" to 24" (464mm to 610mm)	HDQUA003	straight 24.25" to 48" (616mm to 1219mm)	HDQUA004	straight 48.25" to 72" (1226mm to 1829mm)	HDQUA005	straight 72.25" to 92" (1835mm to 2337mm)	HDQUA006	straight 92.25" to 100" (2343mm to 2540mm)
model #	oal														
HDQUA001	straight up to 18" (457mm)														
HDQUA002	straight 18.25" to 24" (464mm to 610mm)														
HDQUA003	straight 24.25" to 48" (616mm to 1219mm)														
HDQUA004	straight 48.25" to 72" (1226mm to 1829mm)														
HDQUA005	straight 72.25" to 92" (1835mm to 2337mm)														
HDQUA006	straight 92.25" to 100" (2343mm to 2540mm)														
<b>HDQUA001, 02, 03, 04, 05, 06</b>	<b>HDQUA007</b>														




\*Note: Quadrant series 1000 & 1500 pulls use the same grips. Grip orientation and standoff series determine door pull profile. To avoid flexing, standoffs should be spaced no more than 87" (2210mm) c.c. on straight Stainless Steel grips or 75" (1905mm) c.c. on straight Bronze grips. Longer lengths will require intermediate standoffs.



**QUADRANT™ DOOR PULLS / HDQUA SERIES**

PRODUCT DATA

DESIGN OPTIONS - SERIES 1500

STANDOFFS								
								
<table border="1"> <tr> <td>projection</td> <td>2.64" (67mm)</td> </tr> </table>	projection	2.64" (67mm)	<table border="1"> <tr> <td>projection</td> <td>2.64" (67mm)</td> </tr> </table>	projection	2.64" (67mm)	<table border="1"> <tr> <td>projection</td> <td>2.64" (67mm)</td> </tr> </table>	projection	2.64" (67mm)
projection	2.64" (67mm)							
projection	2.64" (67mm)							
projection	2.64" (67mm)							
<b>HDQUA011 - BLOCK</b>	<b>HDQUA012 - CLAMP</b>	<b>HDQUA013 - VISE</b>						

GRIPS - 1" x 1.5" (25mm x 38mm)															
	<table border="1"> <thead> <tr> <th>model #</th> <th>oal</th> </tr> </thead> <tbody> <tr> <td>HDQUA001</td> <td>straight up to 18" (457mm)</td> </tr> <tr> <td>HDQUA002</td> <td>straight 18.25" to 24" (464mm to 610mm)</td> </tr> <tr> <td>HDQUA003</td> <td>straight 24.25" to 48" (616mm to 1219mm)</td> </tr> <tr> <td>HDQUA004</td> <td>straight 48.25" to 72" (1226mm to 1829mm)</td> </tr> <tr> <td>HDQUA005</td> <td>straight 72.25" to 92" (1835mm to 2337mm)</td> </tr> <tr> <td>HDQUA006</td> <td>straight 92.25" to 100" (2343mm to 2540mm)</td> </tr> </tbody> </table>	model #	oal	HDQUA001	straight up to 18" (457mm)	HDQUA002	straight 18.25" to 24" (464mm to 610mm)	HDQUA003	straight 24.25" to 48" (616mm to 1219mm)	HDQUA004	straight 48.25" to 72" (1226mm to 1829mm)	HDQUA005	straight 72.25" to 92" (1835mm to 2337mm)	HDQUA006	straight 92.25" to 100" (2343mm to 2540mm)
model #	oal														
HDQUA001	straight up to 18" (457mm)														
HDQUA002	straight 18.25" to 24" (464mm to 610mm)														
HDQUA003	straight 24.25" to 48" (616mm to 1219mm)														
HDQUA004	straight 48.25" to 72" (1226mm to 1829mm)														
HDQUA005	straight 72.25" to 92" (1835mm to 2337mm)														
HDQUA006	straight 92.25" to 100" (2343mm to 2540mm)														
<b>HDQUA001, 02, 03, 04, 05, 06</b>	 <b>HDQUA007</b>														

\*Note: Quadrant series 1500 & 1000 pulls use the same grips. grip orientation and standoff series determine door pull profile. To avoid flexing, Standoffs should be spaced no more than 87" (2210mm) c.c. on straight Stainless Steel grips or 75" (1905mm) c.c. on straight Bronze grips. Longer lengths will require intermediate standoffs.