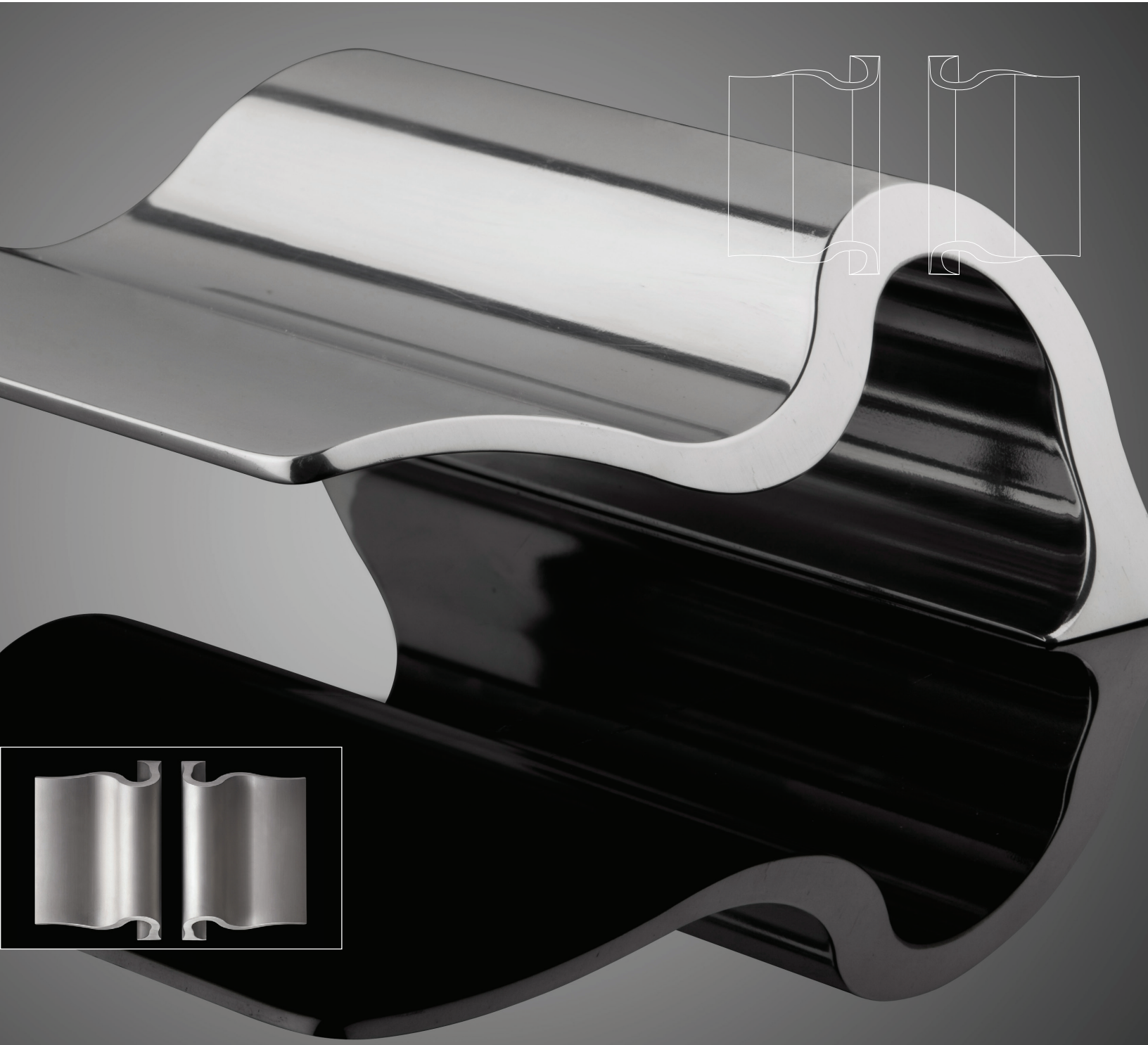




WAVE™ DOOR PULLS / WAD SERIES

PRODUCT DATA





WAVE™ DOOR PULLS / WAD SERIES

PRODUCT DATA

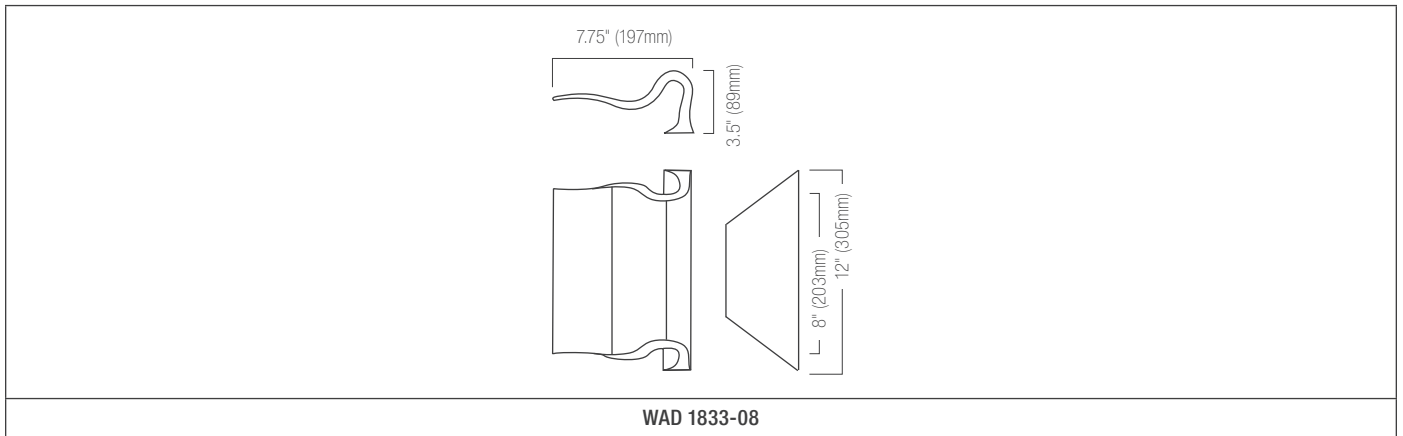
Pairing fluid lines with rhythmic curves, Wave Door Pulls are solid aluminum in a versatile array of finishes.

PRODUCT DETAILS

The following applies to all Wave Door Pull designs shown below.

MATERIAL & FINISH			MAINTENANCE
Aluminum	301	Clear Polished Aluminum	Wave Door Pulls are well-suited for interior or exterior use. Regular maintenance will help ensure the lasting beauty of each pull.
	302	Clear Matte Aluminum	
	305	Black Matte Aluminum	For more information, please refer to Door Hardware Care & Maintenance found on our website.

DESIGN OPTIONS



MOUNTING OPTIONS

Wave Door Pulls are installed using Mounting System “C” as shown below. To ensure a secure installation, a thread-locking adhesive such as Loctite® is recommended. For more information, refer to the Door Pull Installation Manual on our website.

MOUNTING SYSTEM "C"

C1	C2	C3*	C4	C5
Single mount	Concealed single mount	Concealed single mount	Back-to-back mount	Back-to-back mount
Solid wood core or hollow metal door with through bolt.	Hollow metal door with shoulder bolt and customer's reinforcement.	Solid wood core door with shoulder bolt and threaded insert.	Solid wood core or hollow metal door with shoulder bolt.	Tempered glass door with shoulder bolt.

*Forms+Surfaces offers but does not recommend concealed mounting on wood doors. Frequent or heavy use can compromise the integrity of this mounting.

HOW TO SPECIFY

Provide model number, quantity, metal and finish, mounting option, and door material and thickness. Refer to the standalone Door Hardware Price List on our website for list pricing.