

PROJECT NAME: _____

DATE: _____

JOB LOCATION: _____

COMPANY: _____

SPECIFIER: _____

PLEASE USE ADOBE READER OR ADOBE ACROBAT TO FILL OUT AND SAVE FORM. USING OTHER PROGRAMS COULD RESULT IN UNSAVED DATA.

MODEL

QUANTITY

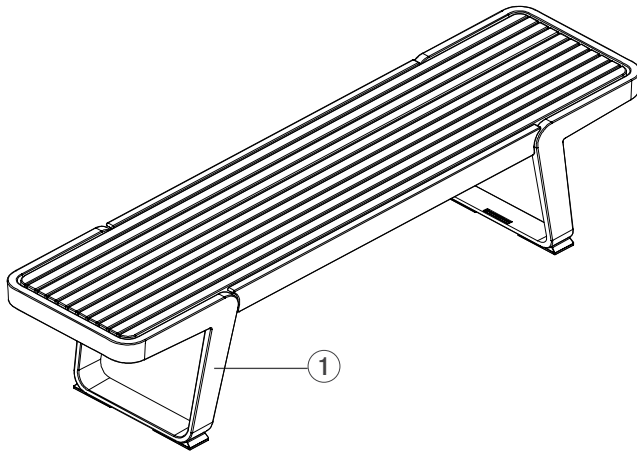
MODEL

_____ SBCIR-72T Circuit Bench, FSC® Recycled 100% Teak hardwood slats

FSC License Code: FSC-C004453

OPTIONS

CIRCUIT BENCH, FSC RECYCLED 100% TEAK HARDWOOD SLATS



1 Frame Powdercoat Color Options

Please select **one** option below and write in specified color.

Standard Texture from F+S Powdercoat Color Chart

Custom RAL Powdercoat Color (subject to upcharge)

Mounting Options

Freestanding

Surface Mount*

Add F+S stainless steel mounting hardware kit*

Do not include F+S mounting kit

*Hardware is required for surface mount benches. Mounting kits can be purchased from F+S for an additional charge.

NOTES _____

Please send completed forms to sales@forms-surfaces.com or contact us at 800.451.0410 with any questions.