

PROJECT NAME: _____

DATE: _____

JOB LOCATION: _____

COMPANY: _____

SPECIFIER: _____

PLEASE USE ADOBE READER OR ADOBE ACROBAT TO FILL OUT AND SAVE FORM. USING OTHER PROGRAMS COULD RESULT IN UNSAVED DATA.

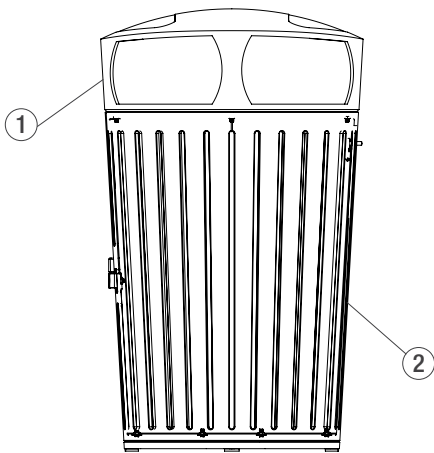
MODEL

QUANTITY MODEL

_____	SLDIS-136	Dispatch Receptacle, 36 gallon, single-stream, one 36-gallon liner
_____	SLDIS-216	Dispatch Receptacle, 36 gallon, split-stream, two 16-gallon liners
_____	SLDIS-145	Dispatch Receptacle, 45 gallon, single-stream, one 45-gallon liner
_____	SLDIS-220	Dispatch Receptacle, 45 gallon, split-stream, two 20-gallon liners

OPTIONS

DISPATCH RECEPTACLE
45 GALLON, SINGLE-STREAM



Powdercoat Color Options

Please select **one** option for each component below and write in specified color.

1 Lid

Standard Texture from F+S Powdercoat Chart

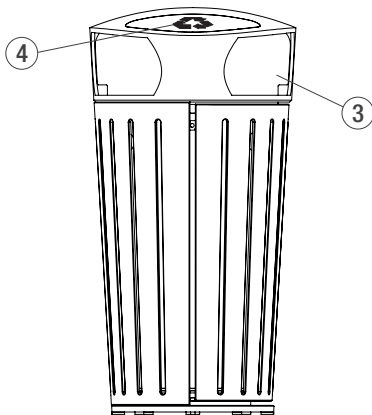
Custom RAL Powdercoat Color (subject to upcharge)

2 Body

Standard Texture from F+S Powdercoat Chart

Custom RAL Powdercoat Color (subject to upcharge)

DISPATCH RECEPTACLE
36 GALLON, SPLIT-STREAM, BOTTLES & CANS RECYCLING OPENING



3 Lid Openings

For split-stream models, please select **one** option below for **each** side of the receptacle. For single-stream models, select **one** option below for **both** sides of the receptacle.

Latch Side

- Standard Opening
- Bottle & Can opening
- Paper opening

Hinge Side

- Standard Opening
- Bottle & Can opening
- Paper opening

④ Graphics Options

For split-stream models, please select **one** option below for **each** side of the receptacle. For single-stream models, select **one** option below for **both** sides of the receptacle.

Latch Side	Hinge Side
Litter	Litter
Recycling	Recycling
Bottles & Cans	Bottles & Cans
Paper	Paper

Latch Options

Please select **one** option below.

Lift lever	Recessed access (screwdriver-operated)
------------	--

Surface Mount*

- Add F+S stainless steel mounting hardware kit*
- Do not include F+S mounting hardware kit

**Hardware is required for surface mount litter receptacles. Mounting kits can be purchased from F+S for an additional charge.*

NOTES

Please send completed forms to sales@forms-surfaces.com or contact us at **800.451.0410** with any questions.