

PROJECT NAME: \_\_\_\_\_

DATE: \_\_\_\_\_

JOB LOCATION: \_\_\_\_\_

COMPANY: \_\_\_\_\_

SPECIFIER: \_\_\_\_\_

PLEASE USE ADOBE READER OR ADOBE ACROBAT TO FILL OUT AND SAVE FORM. USING OTHER PROGRAMS COULD RESULT IN UNSAVED DATA.

**MODEL**

**QUANTITY**

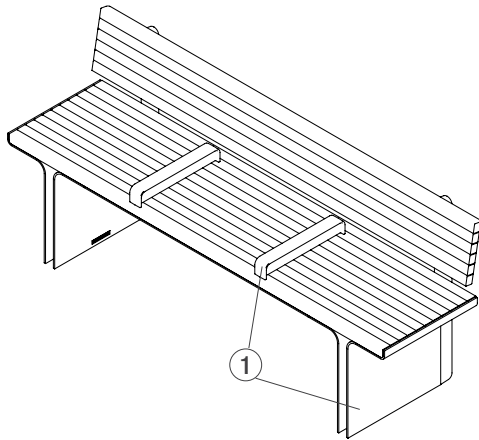
**MODEL**

_____	SBFLT-72BA	Flight Bench, extruded aluminum slats, 6 foot, backed
_____	SBFLT-72BC	Flight Bench, FSC® 100% Cumaru hardwood slats, 6 foot, backed
_____	SBFLT-72NA	Flight Bench, extruded aluminum slats, 6 foot, backless
_____	SBFLT-72NC	Flight Bench, FSC® 100% Cumaru hardwood slats, 6 foot, backless
_____	SBFLT-96BA	Flight Bench, extruded aluminum slats, 8 foot, backed
_____	SBFLT-96BC	Flight Bench, FSC® 100% Cumaru hardwood slats, 8 foot, backed
_____	SBFLT-96NA	Flight Bench, extruded aluminum slats, 8 foot, backless
_____	SBFLT-96NC	Flight Bench, FSC® 100% Cumaru hardwood slats, 8 foot, backless

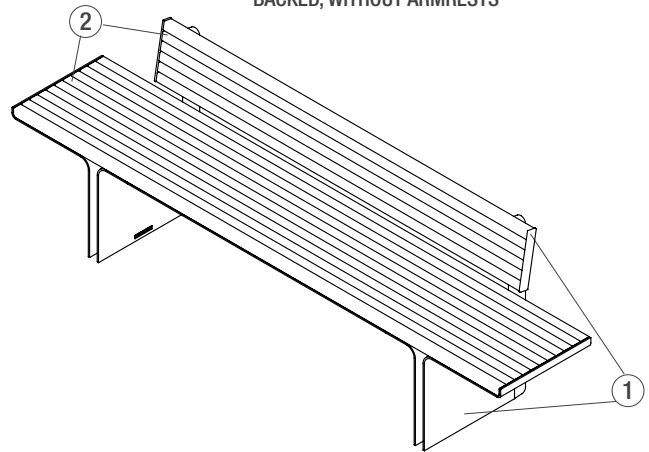
FSC License Code: FSC-C004453

**OPTIONS**

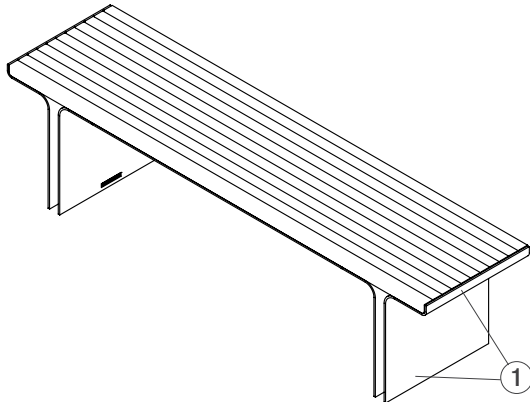
FLIGHT BENCH, FSC® 100% CUMARU HARDWOOD SLATS, 6 FOOT, BACKED, WITH ARMRESTS



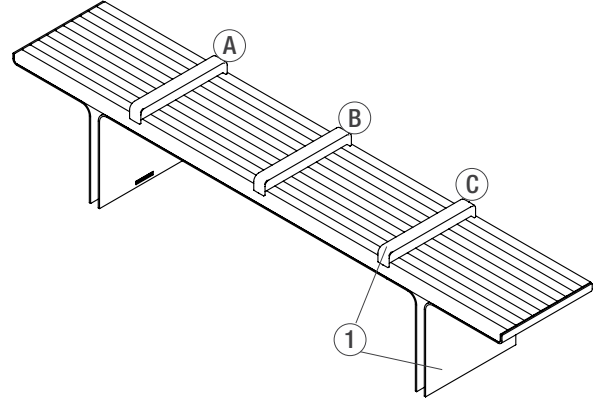
FLIGHT BENCH, EXTRUDED ALUMINUM SLATS, 8 FOOT, BACKED, WITHOUT ARMRESTS



FLIGHT BENCH, FSC® 100% CUMARU HARDWOOD SLATS, 6 FOOT, BACKLESS, WITHOUT ARMRESTS



FLIGHT BENCH, FSC® 100% CUMARU HARDWOOD SLATS, 8 FOOT, BACKLESS, WITH ARMRESTS



**OPTIONS**

**Powdercoat Color Options**

Please select **one** option below and write in specified color.

**① Frame/Armrest**

Standard Texture from F+S Powdercoat Color Chart

\_\_\_\_\_

Custom RAL Powdercoat Color (subject to upcharge)

\_\_\_\_\_

**② Aluminum Slat**

Standard Texture from F+S Powdercoat Color Chart

\_\_\_\_\_

Custom RAL Powdercoat Color (subject to upcharge)

\_\_\_\_\_

<b>Armrest Options</b>	<b>Surface Mount Hardware Options</b>												
<table style="width: 100%; border-collapse: collapse;"> <tr> <td style="width: 20%;"><b>Armrests</b></td> <td style="width: 30%;">Yes</td> <td style="width: 50%;">No</td> </tr> <tr> <td colspan="3"><i>If "Yes," please specify locations below</i></td> </tr> <tr> <td><b>Location(s)*:</b></td> <td>A &amp; C</td> <td>B</td> </tr> <tr> <td colspan="3"><i>*See example on Page 1</i></td> </tr> </table>	<b>Armrests</b>	Yes	No	<i>If "Yes," please specify locations below</i>			<b>Location(s)*:</b>	A & C	B	<i>*See example on Page 1</i>			<p>Add F+S stainless steel mounting hardware kit</p> <p>Do not include F+S mounting hardware kit</p> <p><i>*Hardware is required for surface mount benches. Mounting kits can be purchased from F+S for an additional charge.</i></p>
<b>Armrests</b>	Yes	No											
<i>If "Yes," please specify locations below</i>													
<b>Location(s)*:</b>	A & C	B											
<i>*See example on Page 1</i>													

**NOTES** \_\_\_\_\_

\_\_\_\_\_

\_\_\_\_\_

Please send completed forms to [sales@forms-surfaces.com](mailto:sales@forms-surfaces.com) or contact us at **800.451.0410** with any questions.