

PROJECT NAME: \_\_\_\_\_

DATE: \_\_\_\_\_

JOB LOCATION: \_\_\_\_\_

COMPANY: \_\_\_\_\_

SPECIFIER: \_\_\_\_\_

PLEASE USE ADOBE READER OR ADOBE ACROBAT TO FILL OUT AND SAVE FORM. USING OTHER PROGRAMS COULD RESULT IN UNSAVED DATA.

**MODEL**

**QUANTITY**

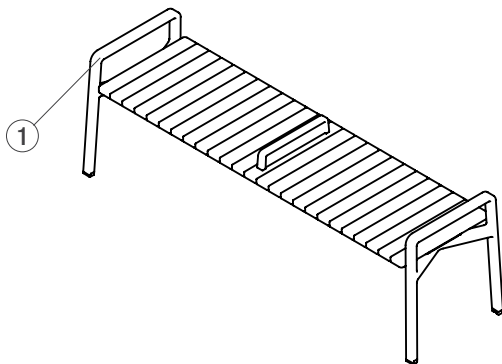
**MODEL**

_____	SBFLO-72BC	Float Bench, FSC® 100% Cumaru hardwood slats, 6 foot, backed
_____	SBFLO-72NC	Float Bench, FSC® 100% Cumaru hardwood slats, 6 foot, backless
_____	SBFLO-72BO	Float Bench, FSC® Mix Credit Thermally Modified Red Oak slats, 6 foot, backed
_____	SBFLO-72NO	Float Bench, FSC® Mix Credit Thermally Modified Red Oak slats, 6 foot, backless

FSC License Code: FSC-C004453

**OPTIONS**

FLOAT BENCH, 6 FOOT, BACKLESS, WITH SEAT DIVIDER



**① Frame Powdercoat Color Options**

Please select **one** option below and write in specified color.

Standard Texture from F+S Powdercoat Color Chart

\_\_\_\_\_

Custom RAL Powdercoat Color (subject to upcharge)

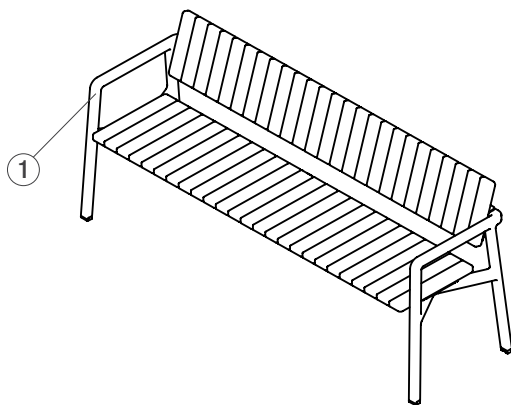
\_\_\_\_\_

**Seat Divider Options**

Yes (subject to upcharge)

No

FLOAT BENCH, 6 FOOT, BACKED



**Mounting Options**

Freestanding

Surface Mount\*

Add F+S stainless steel mounting hardware kit\*

Do not include F+S mounting kit

\*Hardware is required for surface mount benches. Mounting kits can be purchased from F+S for an additional charge.

**NOTES**

---

---

---

Please send completed forms to [sales@forms-surfaces.com](mailto:sales@forms-surfaces.com) or contact us at **800.451.0410** with any questions.