

PROJECT NAME: _____

DATE: _____

JOB LOCATION: _____

COMPANY: _____

SPECIFIER: _____

PLEASE USE ADOBE READER OR ADOBE ACROBAT TO FILL OUT AND SAVE FORM. USING OTHER PROGRAMS COULD RESULT IN UNSAVED DATA.

MODEL

QUANTITY

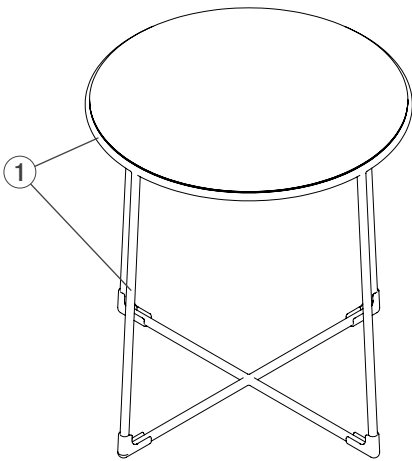
MODEL

STLIN-S

Linia Side Table

OPTIONS

LINIA SIDE TABLE WITH NO TABLE TOP PERFORATION



① Frame Finish Options

Please select **one** option below and write in powdercoat color if applicable.

Stainless Steel Finish

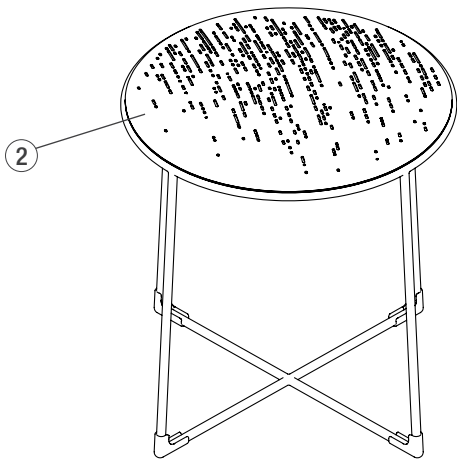
Electropolished

Powdercoat Color Options

Standard Texture from F+S Powdercoat Color Chart

Custom RAL Powdercoat Color (subject to upcharge)

LINIA SIDE TABLE WITH SWEEP TABLE TOP PERFORATION



② Table Top Powdercoat Options

Please select **one** option below and write in specified color.

Standard Texture from F+S Powdercoat Color Chart

Custom RAL Powdercoat Color (subject to upcharge)

Table Top Perforation Options

Please select **one** option below.

Sweep Perforation

No Perforation

NOTES

Please send completed forms to sales@forms-surfaces.com or contact us at **800.451.0410** with any questions.