

PROJECT NAME: \_\_\_\_\_

DATE: \_\_\_\_\_

JOB LOCATION: \_\_\_\_\_

COMPANY: \_\_\_\_\_

SPECIFIER: \_\_\_\_\_

PLEASE USE ADOBE READER OR ADOBE ACROBAT TO FILL OUT AND SAVE FORM. USING OTHER PROGRAMS COULD RESULT IN UNSAVED DATA.

**MODEL**

**QUANTITY**

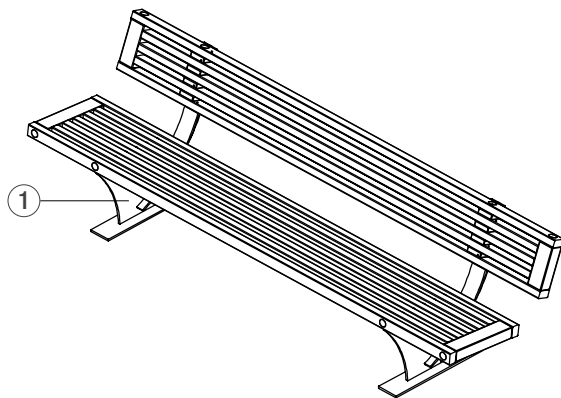
**MODEL**

_____	SBPAC-8SL	Pacifica Bench, 8-foot, full back, surface mount, FSC® 100% Cumaru hardwood slats
_____	SBPAC-8FL	Pacifica Bench, 8-foot, full back, freestanding, FSC® 100% Cumaru hardwood slats
_____	SBPAC-8SS	Pacifica Bench, 8-foot, short back, surface mount, FSC® 100% Cumaru hardwood slats
_____	SBPAC-8FS	Pacifica Bench, 8-foot, short back, freestanding, FSC® 100% Cumaru hardwood slats
_____	SBPAC-8SN	Pacifica Bench, 8-foot, backless, surface mount, FSC® 100% Cumaru hardwood slats
_____	SBPAC-12SL	Pacifica Bench, 12-foot, full back, surface mount, FSC® 100% Cumaru hardwood slats
_____	SBPAC-12FL	Pacifica Bench, 12-foot, full back, freestanding, FSC® 100% Cumaru hardwood slats
_____	SBPAC-12SS	Pacifica Bench, 12-foot, short back, surface mount, FSC® 100% Cumaru hardwood slats
_____	SBPAC-12FS	Pacifica Bench, 12-foot, short back, freestanding, FSC® 100% Cumaru hardwood slats
_____	SBPAC-12SN	Pacifica Bench, 12-foot, backless, surface mount, FSC® 100% Cumaru hardwood slats

FSC License Code: FSC-C004453

**OPTIONS**

PACIFICA BENCH, 8-FOOT, FULL BACK



**① Frame Powdercoat Color Options**

Please select **one** option below and write in specified color.

Standard Texture from F+S Powdercoat Color Chart

Custom RAL Powdercoat Color (subject to upcharge)

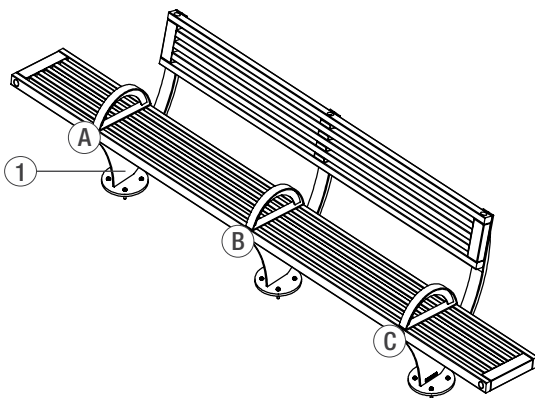
**Armrest Options**

Armrests  Yes  No

If "Yes," please specify locations below

Location(s):  A & C  B

PACIFICA BENCH, ARMREST LOCATIONS, 12-FOOT, SHORT BACK



Mounting Options

- Freestanding
- Surface Mount\*
  - Add F+S stainless steel mounting hardware kit\*
  - Do not include F+S mounting kit

*\*Hardware is required for surface mount benches. Mounting kits can be purchased from F+S for an additional charge.*

NOTES

---



---



---

Please send completed forms to [sales@forms-surfaces.com](mailto:sales@forms-surfaces.com) or contact us at 800.451.0410 with any questions.