

PROJECT NAME: \_\_\_\_\_

DATE: \_\_\_\_\_

JOB LOCATION: \_\_\_\_\_

COMPANY: \_\_\_\_\_

SPECIFIER: \_\_\_\_\_

PLEASE USE ADOBE READER OR ADOBE ACROBAT TO FILL OUT AND SAVE FORM. USING OTHER PROGRAMS COULD RESULT IN UNSAVED DATA.

**MODEL**

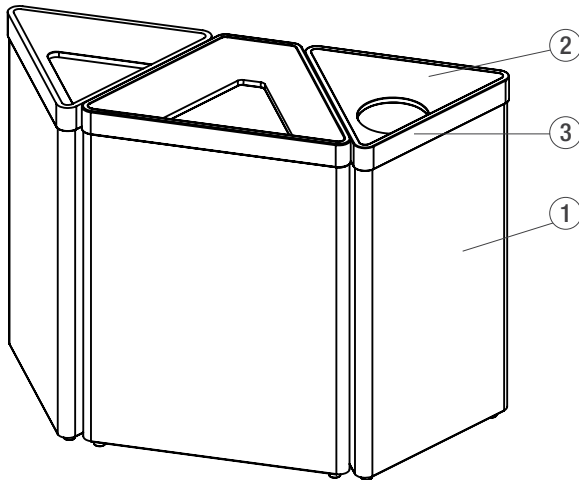
**QUANTITY**

**MODEL**

_____	SLTRD-16B	Triad Receptacle, 16-gallon, 6" diameter opening, triangular body
_____	SLTRD-16L	Triad Receptacle, 16-gallon, 8" diameter opening, triangular body
_____	SLTRD-16P	Triad Receptacle, 16-gallon, triangular opening, triangular body
_____	SLTRD-24B	Triad Receptacle, 24-gallon, 6" diameter opening, trapezoidal body
_____	SLTRD-24L	Triad Receptacle, 24-gallon, trapezoidal opening, trapezoidal body
_____	SLTRD-24P	Triad Receptacle, 24-gallon, paper slot, trapezoidal body

**OPTIONS**

**TRIAD RECEPTACLES**  
LEFT TO RIGHT: SLTRD-16P, SLTRD-24L,  
AND SLTRD-16B



①

**Finish Options**

Please select **one** option below.

**Stainless Steel Finish**

- Sandstone
- Diamond
- Linen
- Satin

②

**Lid Color Options**

Please select **one** option below.

- Black
- Blue
- Green

**Mounting Options**

Please select **one** option below.

- Freestanding with levelers
- Surface Mount\*
  - Add F+S stainless steel mounting hardware kit\*
  - Do not include F+S mounting hardware kit

\*Hardware is required for surface mount litter receptacles. Mounting kits can be purchased from F+S for an additional charge.

3

**Model Graphics Message & Background Color Options**

Please select the model, graphic message, and graphic background color. If "no graphic" is selected, the graphic background color is not applicable.  
 \*Litter and landfill graphics are **only** available in **black** background color. See Page 3 for graphic examples.

**SLTRD-16B**

**Graphic message**

- no graphic
- recycling
- bottles & cans

**Graphic background color**

- black
- blue
- green

**SLTRD-16L**

**Graphic message**

- no graphic
- recycling
- compost
- litter\*
- bottles & cans
- landfill
- paper

**Graphic background color**

- black
- blue
- green

**SLTRD-16P**

**Graphic message**

- no graphic
- recycling
- compost
- litter\*
- bottles & cans
- landfill
- paper

**Graphic background color**

- black
- blue
- green

**SLTRD-24B**

**Graphic message**

- no graphic
- recycling
- bottles & cans

**Graphic background color**

- black
- blue
- green

**SLTRD-24L**

**Graphic message**

- no graphic
- recycling
- compost
- litter\*
- bottles & cans
- landfill
- paper

**Graphic background color**

- black
- blue
- green

**SLTRD-24P**

**Graphic message**

- no graphic
- paper

**Graphic background color**

- black
- blue
- green

GRAPHIC EXAMPLES



NOTES \_\_\_\_\_  
\_\_\_\_\_  
\_\_\_\_\_

Please send completed forms to [sales@forms-surfaces.com](mailto:sales@forms-surfaces.com) or contact us at **800.451.0410** with any questions.