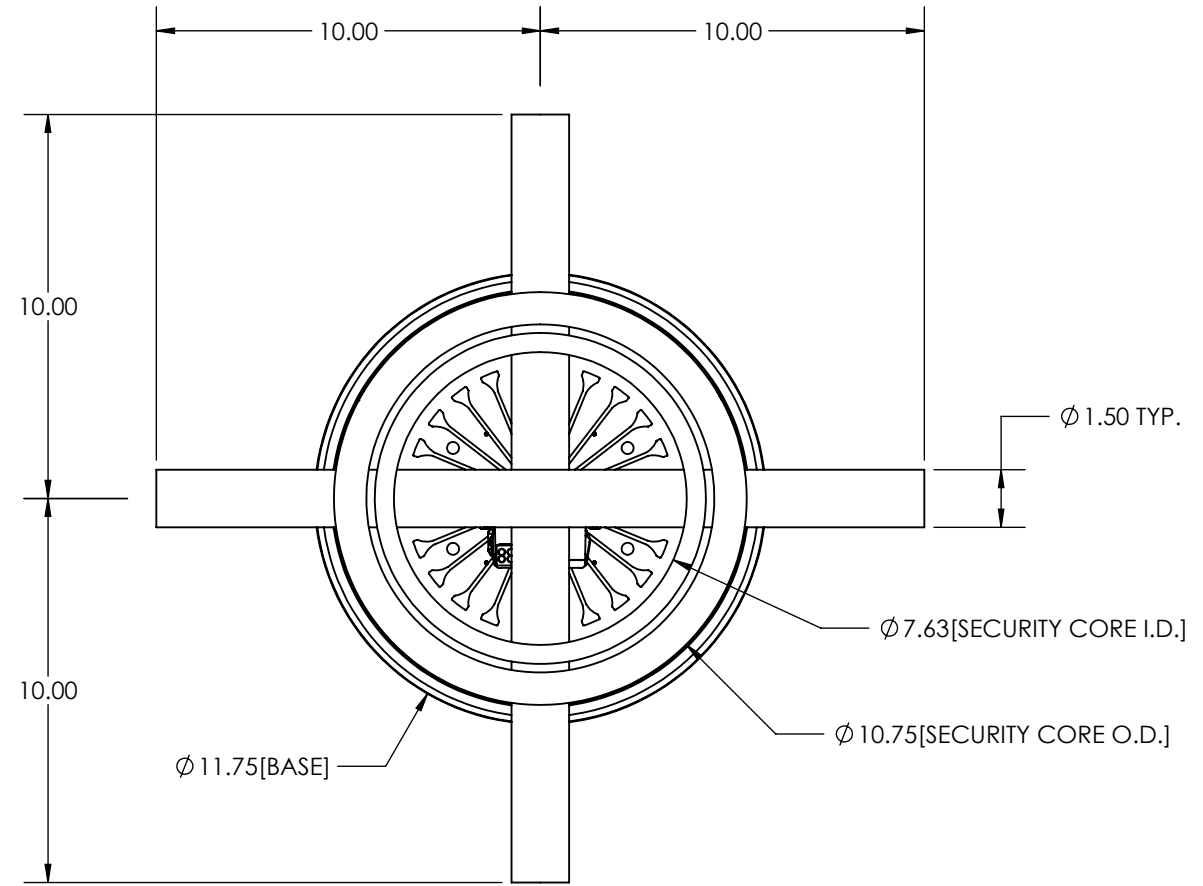


FRONT VIEW



BOTTOM VIEW

CUSTOMER APPROVAL:

X _____

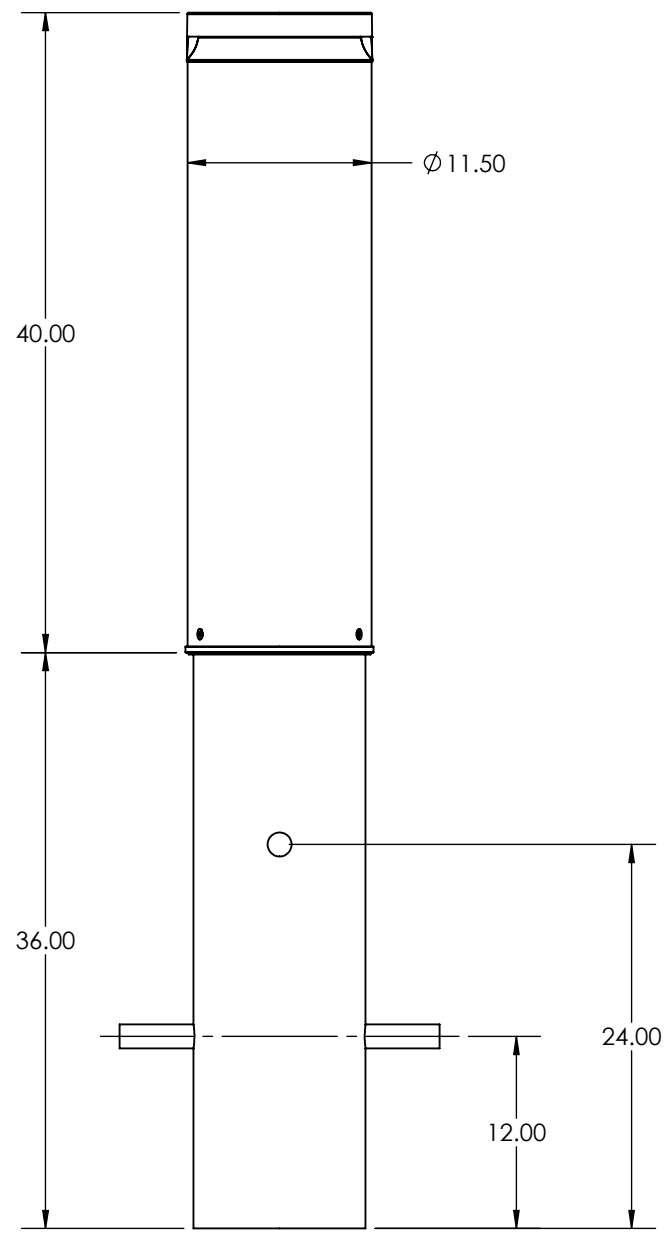
DATE:

X _____

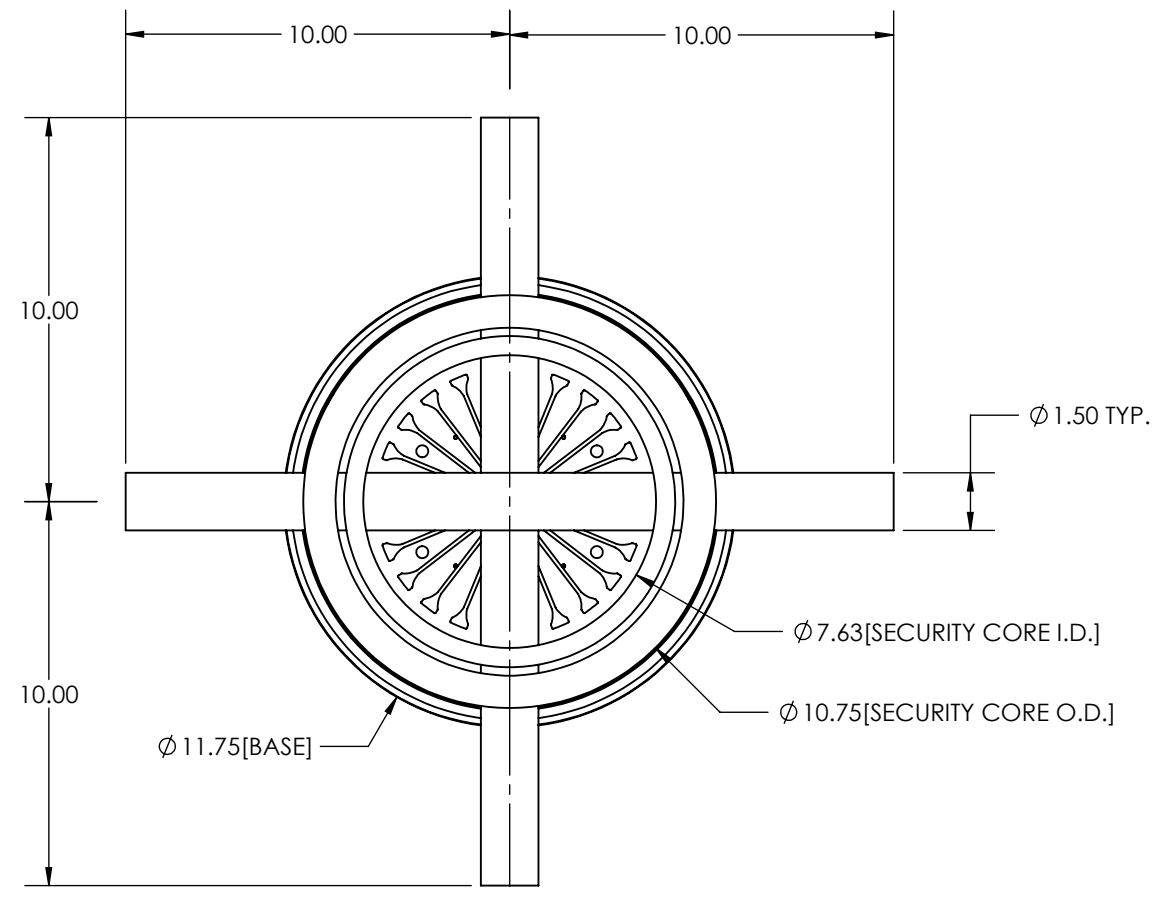
UNLESS OTHERWISE SPECIFIED: 1. PRIMARY DIM. ARE IN INCHES & SECONDARY [DIM] IN MM 2. TOLERANCES FRACTIONAL: $\pm 1/32$; ANGULAR/BEND: $\pm 1^\circ$ TWO PLACE DECIMAL $\pm .030$ THREE PLACE DECIMAL $\pm .020$ 3. REMOVE ALL BURRS AND SHARP EDGES THIRD ANGLE PROJECTION		FORMS+SURFACES 30 Pine Street, Pittsburgh, PA 15223 Tel (412) 781-9003 Fax (412) 781-7840									
MATERIAL: SEE DATA SHEET FINISH: SEE DATA SHEET WEIGHT: SEE DATA SHEET SCALE: NOT TO SCALE	DO NOT SCALE DRAWING PROPRIETARY AND CONFIDENTIAL THE INFORMATION CONTAINED IN THIS DRAWING IS THE SOLE PROPERTY OF FORMS + SURFACES. ANY REPRODUCTION IN PART OR AS A WHOLE WITHOUT WRITTEN PERMISSION IS PROHIBITED.	DESCRIPTION: HELIO M40-P1/K8 SECURITY BOLLARD SERIES 1200,360° LBHLO-1203,360,M40	<table border="1"> <tr> <th>SIZE</th> <th>DWG. NO.</th> <th>REV</th> <th>SHEET</th> </tr> <tr> <td>B</td> <td>LBHLO-1203-360-M40-CS</td> <td>0</td> <td>1 OF 1</td> </tr> </table>	SIZE	DWG. NO.	REV	SHEET	B	LBHLO-1203-360-M40-CS	0	1 OF 1
SIZE	DWG. NO.	REV	SHEET								
B	LBHLO-1203-360-M40-CS	0	1 OF 1								

8 7 6 5 4 3 2 1

D
C
B
A



FRONT VIEW



BOTTOM VIEW

CUSTOMER APPROVAL:

X _____

DATE:

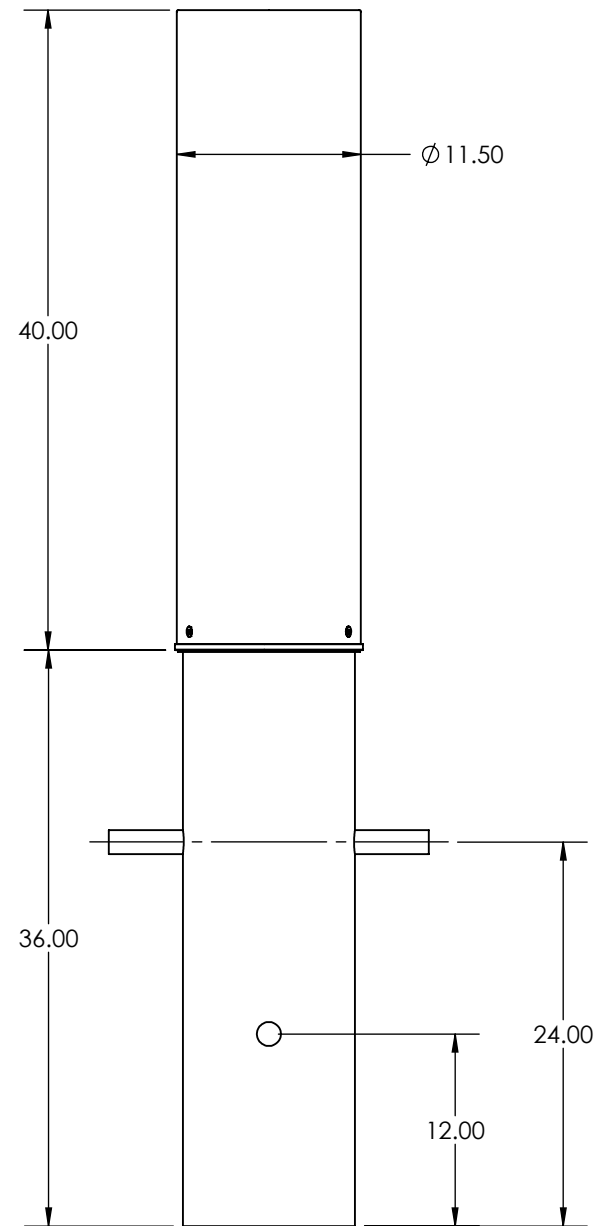
X _____

UNLESS OTHERWISE SPECIFIED: 1. PRIMARY DIM. ARE IN INCHES & SECONDARY [DIM] IN MM 2. TOLERANCES FRACTIONAL: $\pm 1/32$; ANGULAR/BEND: $\pm 1^\circ$ TWO PLACE DECIMAL $\pm .030$ THREE PLACE DECIMAL $\pm .020$ 3. REMOVE ALL BURRS AND SHARP EDGES THIRD ANGLE PROJECTION		FORMS+SURFACES 30 Pine Street, Pittsburgh, PA 15223 Tel (412) 781-9003 Fax (412) 781-7840		
NAME	DATE	DESCRIPTION: HELIO M40-P1/K8 SECURITY BOLLARD SERIES 1200,180° LBHLO-1203,180,M40		
DWN	STF			7/31/20
CHK				
MATERIAL: SEE DATA SHEET	DO NOT SCALE DRAWING			
FINISH: SEE DATA SHEET	PROPRIETARY AND CONFIDENTIAL THE INFORMATION CONTAINED IN THIS DRAWING IS THE SOLE PROPERTY OF FORMS + SURFACES. ANY REPRODUCTION IN PART OR AS A WHOLE WITHOUT WRITTEN PERMISSION IS PROHIBITED.			
WEIGHT: SEE DATA SHEET	SIZE	DWG. NO.	REV	SHEET
SCALE: NOT TO SCALE	B	LBHLO-1203-180-M40-CS	0	1 OF 1

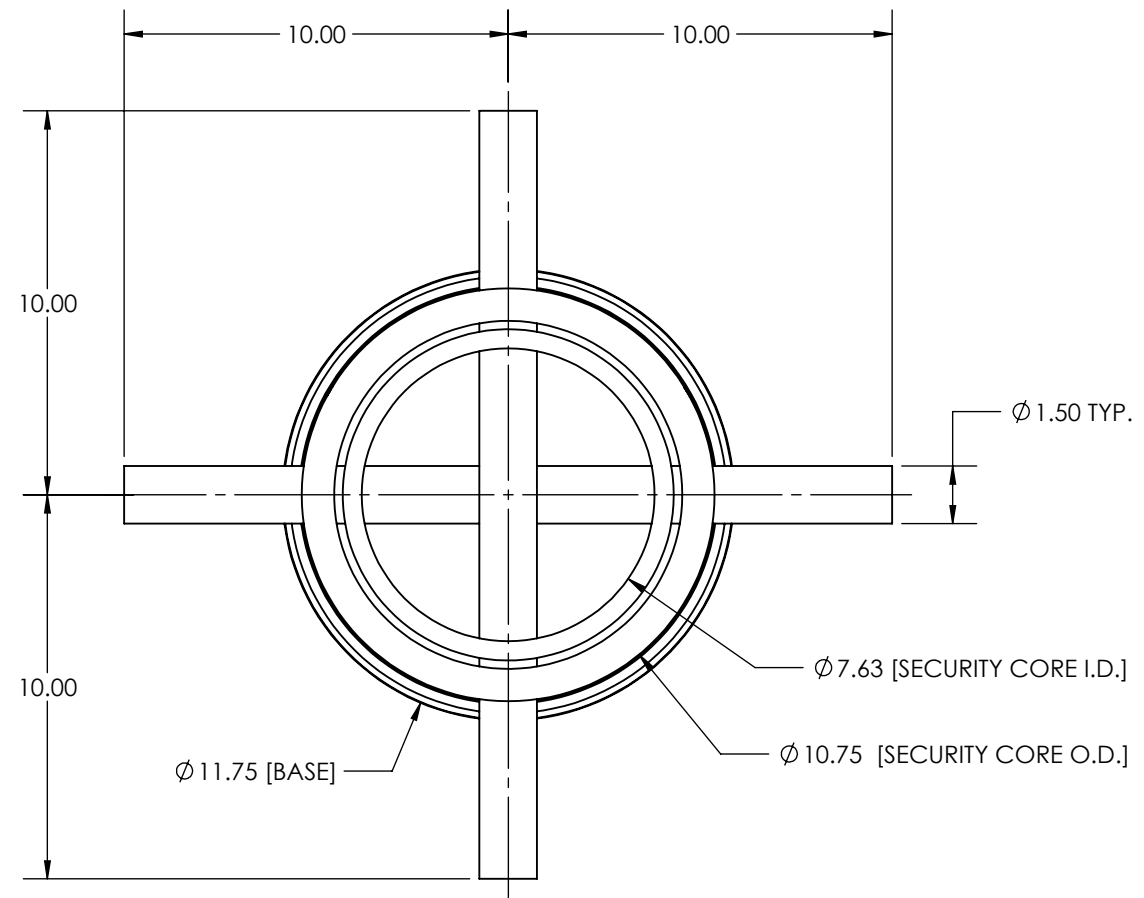
8 7 6 5 4 3 2 1

8 7 6 5 4 3 2 1

D
C
B
A



FRONT VIEW



BOTTOM VIEW

CUSTOMER APPROVAL:

X _____

DATE:

X _____

UNLESS OTHERWISE SPECIFIED: 1. PRIMARY DIM. ARE IN INCHES & SECONDARY [DIM] IN MM 2. TOLERANCES FRACTIONAL: ±1/32; ANGULAR/BEND: ±1° TWO PLACE DECIMAL ±.030 THREE PLACE DECIMAL ±.020 3. REMOVE ALL BURRS AND SHARP EDGES THIRD ANGLE PROJECTION		FORMS+SURFACES 30 Pine Street, Pittsburgh, PA 15223 Tel (412) 781-9003 Fax (412) 781-7840			
NAME	DATE	DESCRIPTION: HELIO M40-P1/K8 SECURITY BOLLARD SERIES 1200, NON-LIT LBHLO-1203,NLIT,POLE,M40			
DWN	STF				
CHK	8/27/20				
MATERIAL: SEE DATA SHEET	DO NOT SCALE DRAWING		SIZE		
FINISH: SEE DATA SHEET	PROPRIETARY AND CONFIDENTIAL THE INFORMATION CONTAINED IN THIS DRAWING IS THE SOLE PROPERTY OF FORMS + SURFACES. ANY REPRODUCTION IN PART OR AS A WHOLE WITHOUT WRITTEN PERMISSION IS PROHIBITED.		DWG. NO.		
WEIGHT: SEE DATA SHEET			REV		
SCALE: NOT TO SCALE			SHEET		
		B	LBHLO-1203-NLIT-M40-CS	0	1 OF 1

8 7 6 5 4 3 2 1