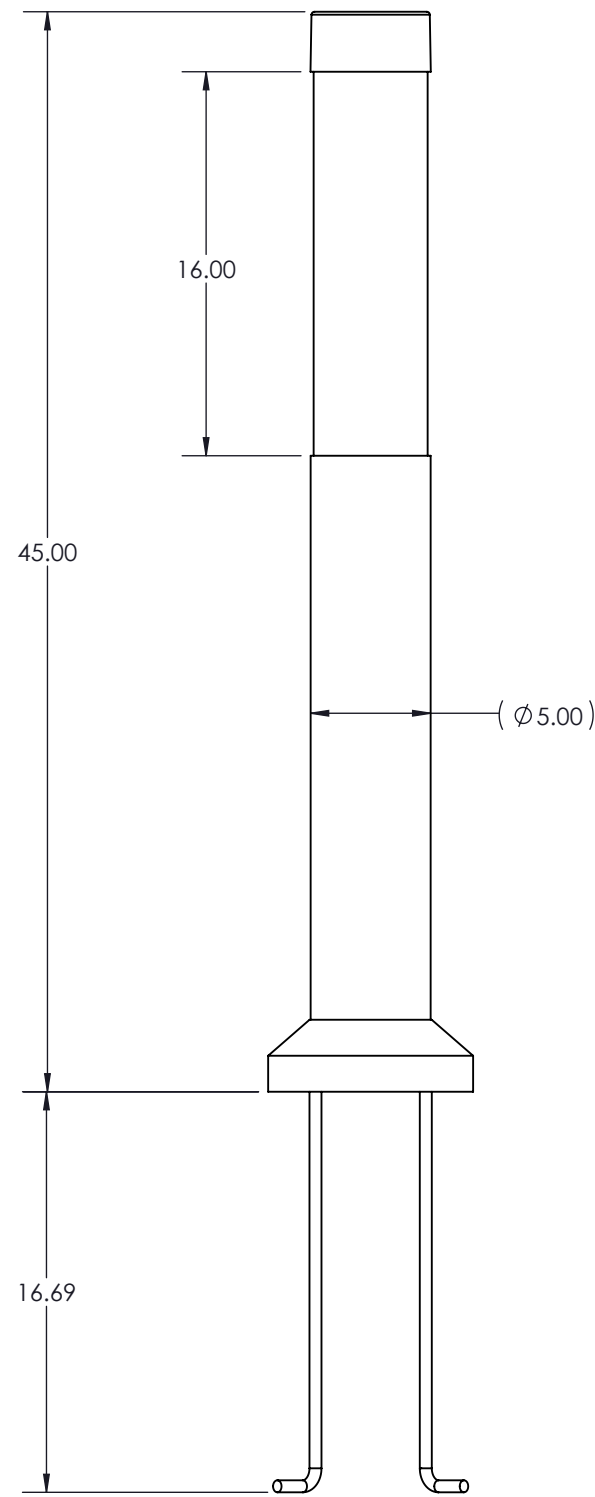
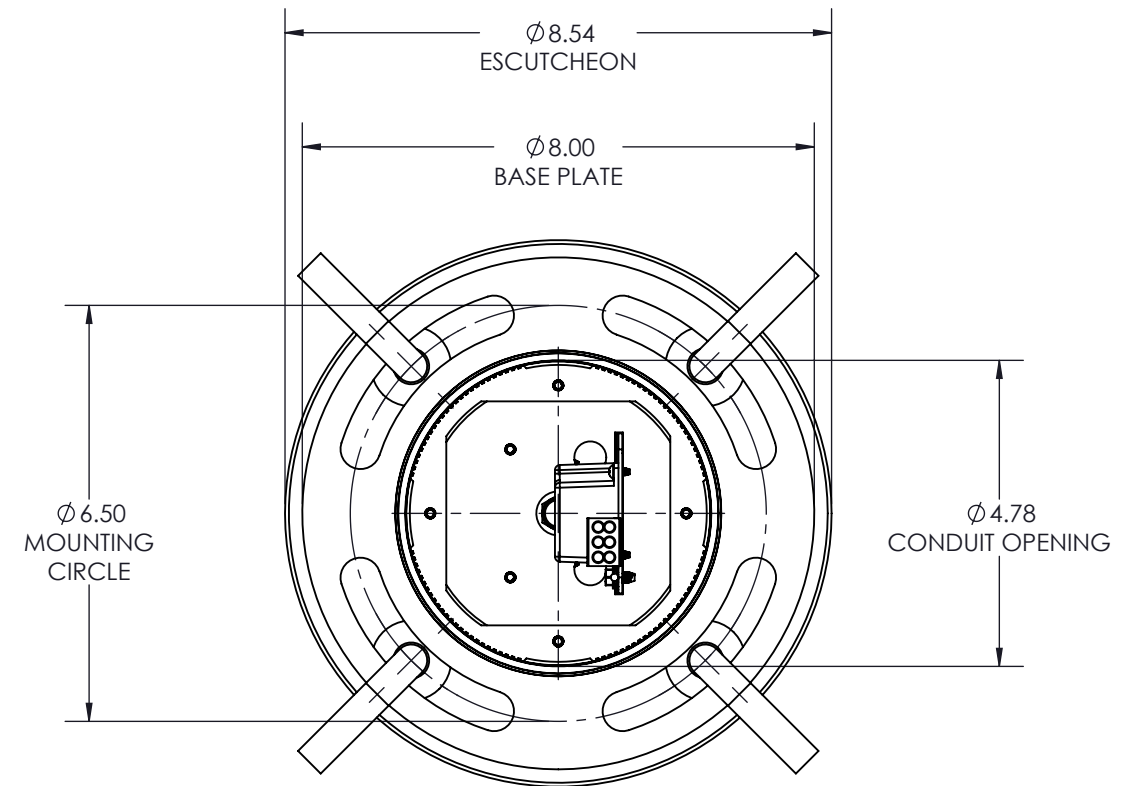


8 7 6 5 4 3 2 1

D  
C  
B  
A



FRONT VIEW



ENLARGED  
BOTTOM VIEW

CUSTOMER APPROVAL:

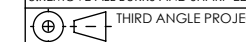
X \_\_\_\_\_

DATE:

X \_\_\_\_\_

UNLESS OTHERWISE SPECIFIED:

- 1. PRIMARY DIM. ARE IN INCHES & SECONDARY [DIM] IN MM
- 2. TOLERANCES  
 FRACTIONAL: ±1/32; ANGULAR/BEND: ±1°  
 TWO PLACE DECIMAL ±.030  
 THREE PLACE DECIMAL ±.020
- 3. REMOVE ALL BURRS AND SHARP EDGES



MATERIAL: SEE DATA SHEET

FINISH: - SEE DATA SHEET

WEIGHT: - SEE DATA SHEET

SCALE: NOT TO SCALE



30 Pine Street, Pittsburgh, PA 15223  
Tel (412) 781-9003 Fax (412) 385-4715

DESCRIPTION:  
**LIGHT COLUMN BOLLARD**  
**SERIES 500, LED, SURFACE MOUNT**  
**LBLCB-504,SAT,3K,SFM**

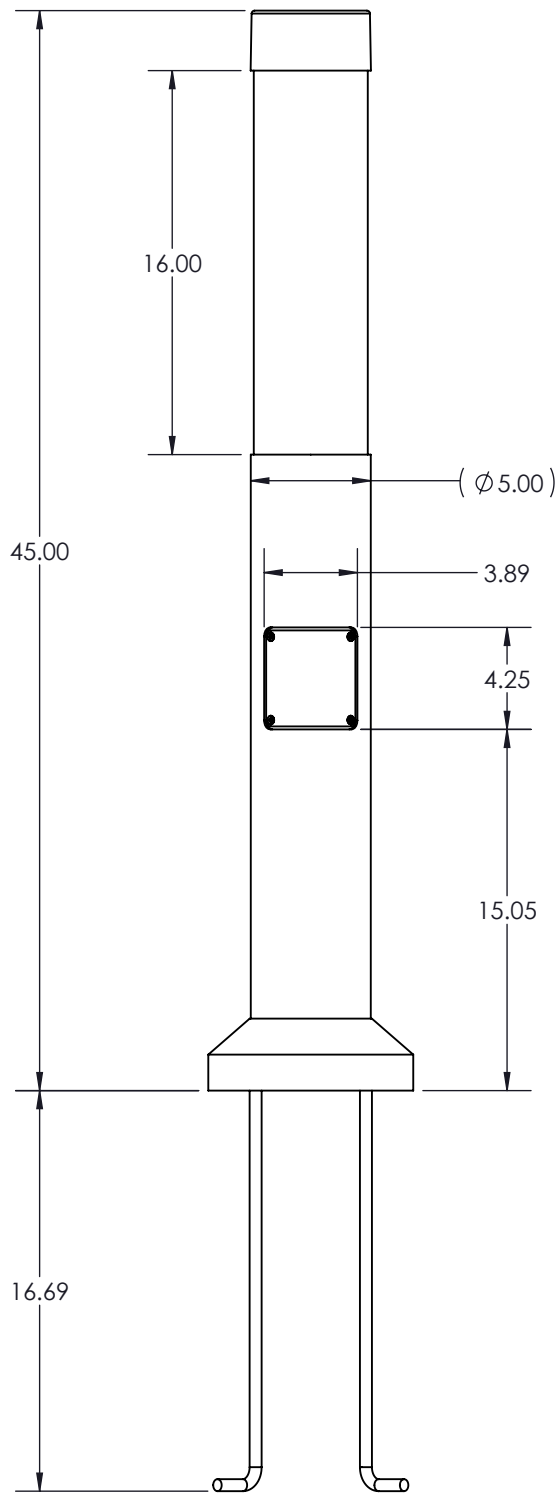
SIZE	DWG. NO.	REV	SHEET
B	LBLCB-504-SFM-CS	0	1 OF 1

**PROPRIETARY AND CONFIDENTIAL**  
 THE INFORMATION CONTAINED IN THIS DRAWING IS THE SOLE PROPERTY OF FORMS + SURFACES. ANY REPRODUCTION IN PART OR AS A WHOLE WITHOUT WRITTEN PERMISSION IS PROHIBITED.

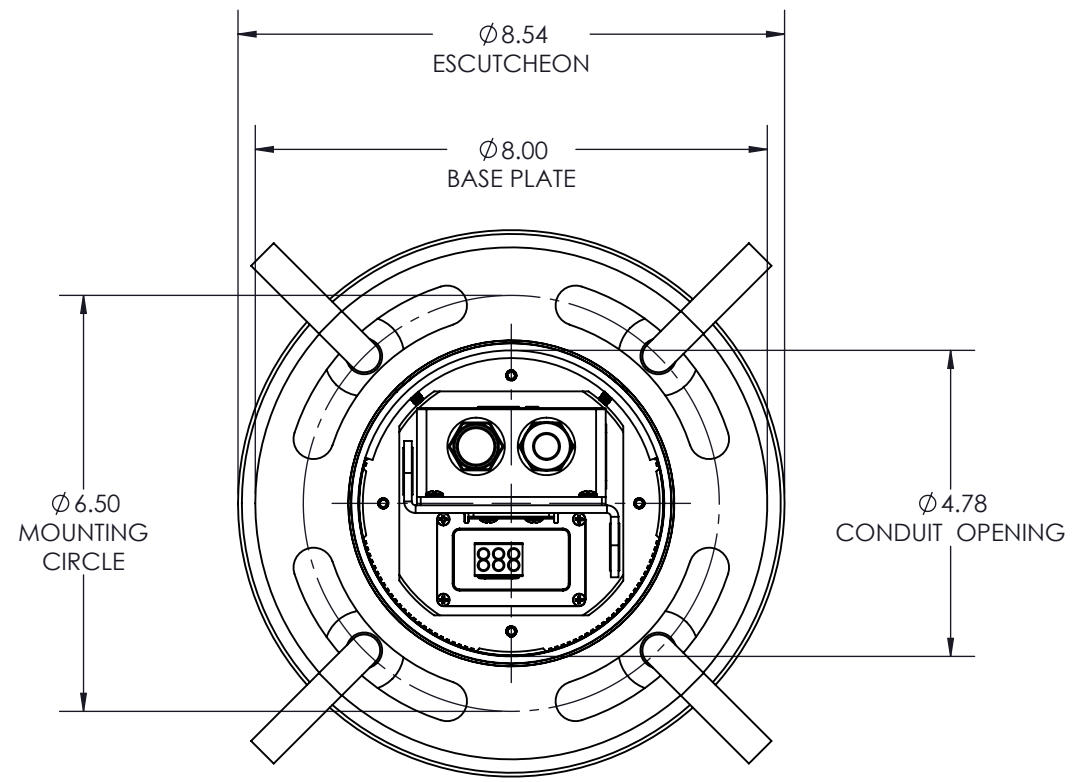
8 7 6 5 4 3 2 1

8 7 6 5 4 3 2 1

D  
C  
B  
A



FRONT VIEW



ENLARGED  
BOTTOM VIEW

CUSTOMER APPROVAL:

X \_\_\_\_\_

DATE:

X \_\_\_\_\_

**UNLESS OTHERWISE SPECIFIED:**

- 1. PRIMARY DIM. ARE IN INCHES & SECONDARY [DIM] IN MM
- 2. TOLERANCES  
 FRACTIONAL: ±1/32; ANGULAR/BEND: ±1°  
 TWO PLACE DECIMAL ±.030  
 THREE PLACE DECIMAL ±.020  
 3. REMOVE ALL BURRS AND SHARP EDGES

MATERIAL: SEE DATA SHEET

FINISH: - SEE DATA SHEET

WEIGHT: - SEE DATA SHEET

SCALE: NOT TO SCALE



30 Pine Street, Pittsburgh, PA 15223  
Tel (412) 781-9003 Fax (412) 385-4715

NAME	DATE
DWN ABM	04/21/2021
CHK MGJ	04/21/2021

DO NOT SCALE DRAWING

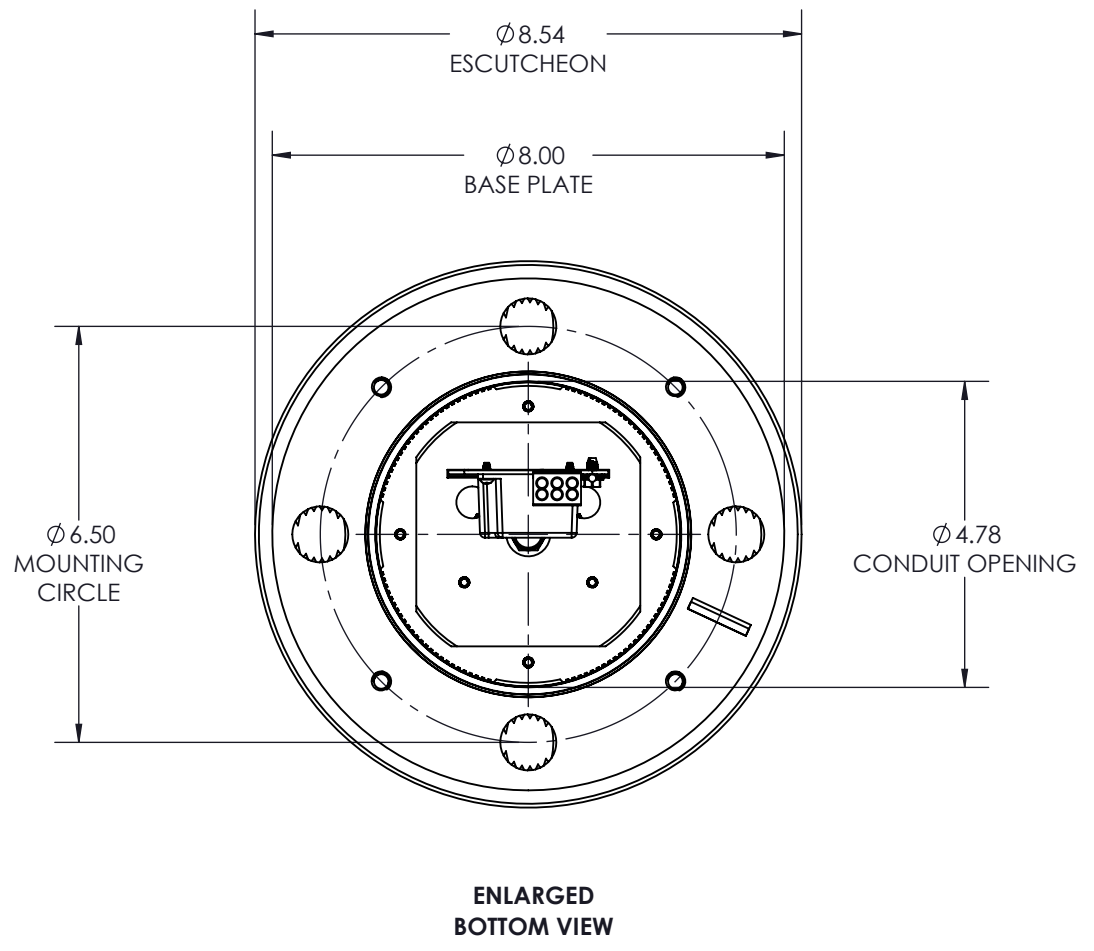
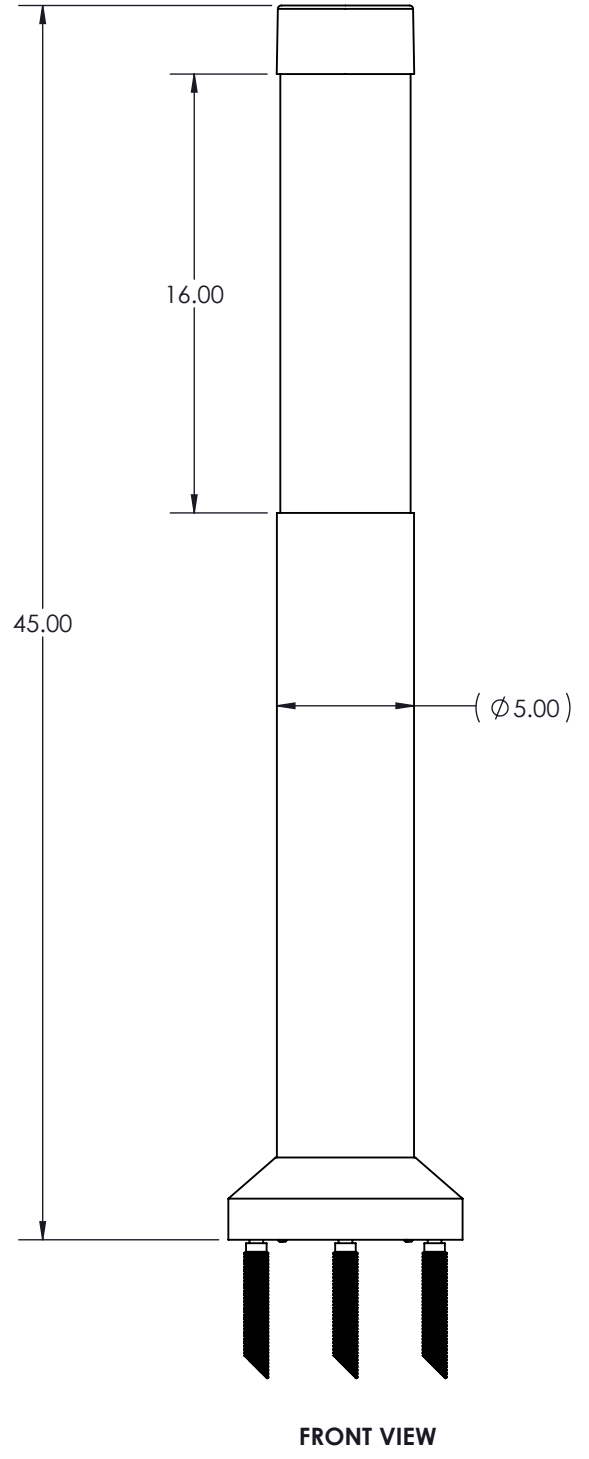
**PROPRIETARY AND CONFIDENTIAL**  
 THE INFORMATION CONTAINED IN THIS DRAWING IS THE SOLE PROPERTY OF FORMS + SURFACES. ANY REPRODUCTION IN PART OR AS A WHOLE WITHOUT WRITTEN PERMISSION IS PROHIBITED.

DESCRIPTION:			
<b>LIGHT COLUMN BOLLARD</b>			
<b>SERIES 500, RGBW, SURFACE MOUNT</b>			
<b>LBLCB-504,SAT,RGBW,SFM</b>			
SIZE	DWG. NO.	REV	SHEET
B	LBLCB-504-RGBW-CS	0	1 OF 1

8 7 6 5 4 3 2 1

8 7 6 5 4 3 2 1

D  
C  
B  
A



CUSTOMER APPROVAL:

X \_\_\_\_\_

DATE:

X \_\_\_\_\_

**UNLESS OTHERWISE SPECIFIED:**

- 1. PRIMARY DIM. ARE IN INCHES & SECONDARY [DIM] IN MM
- 2. TOLERANCES  
 FRACTIONAL: ±1/32; ANGULAR/BEND: ±1°  
 TWO PLACE DECIMAL ±.030  
 THREE PLACE DECIMAL ±.020
- 3. REMOVE ALL BURRS AND SHARP EDGES

THIRD ANGLE PROJECTION

MATERIAL: SEE DATA SHEET

FINISH: - SEE DATA SHEET

WEIGHT: - SEE DATA SHEET

SCALE: NOT TO SCALE



30 Pine Street, Pittsburgh, PA 15223  
Tel (412) 781-9003 Fax (412) 385-4715

NAME	DATE
DWN ABM	04/21/2021
CHK MGJ	04/21/2021

DESCRIPTION:  
**LIGHT COLUMN BOLLARD**  
**SERIES 500, LED, REMOVABLE**  
**LBLCB-504,SAT,3K,REM**

**PROPRIETARY AND CONFIDENTIAL**  
 THE INFORMATION CONTAINED IN THIS DRAWING IS THE SOLE PROPERTY OF FORMS + SURFACES. ANY REPRODUCTION IN PART OR AS A WHOLE WITHOUT WRITTEN PERMISSION IS PROHIBITED.

SIZE	DWG. NO.	REV	SHEET
B	LBLCB-504-REM-CS	0	1 OF 1

8 7 6 5 4 3 2 1