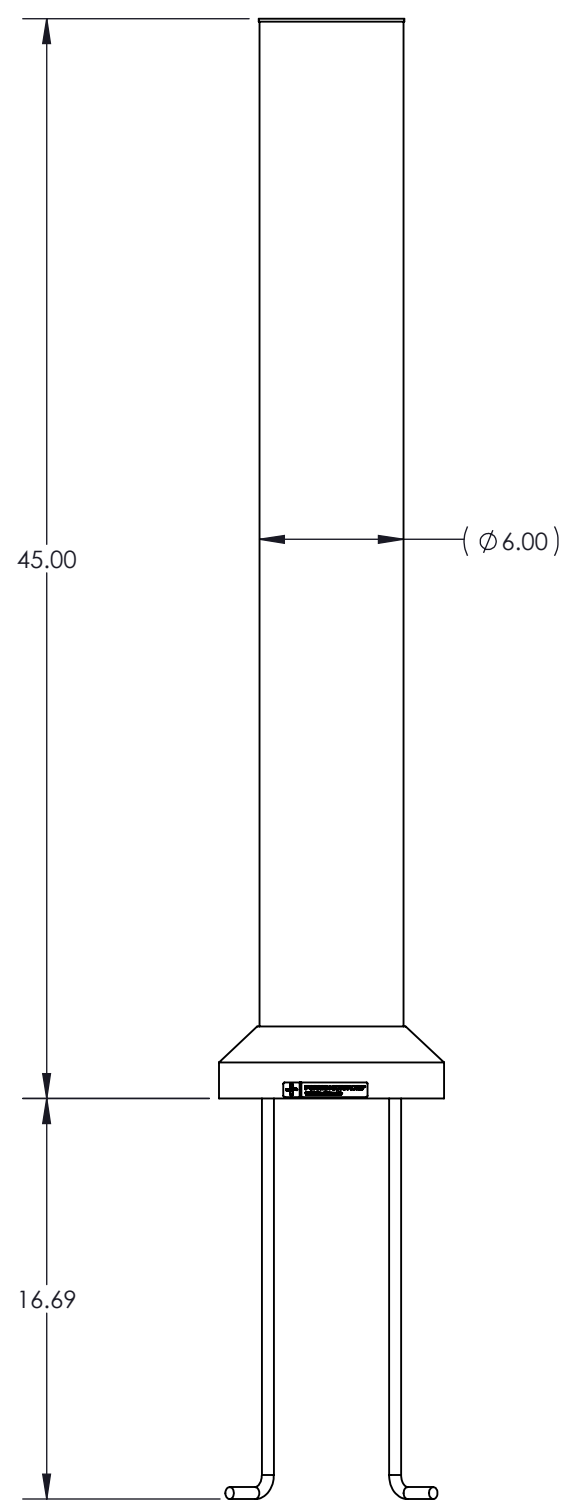
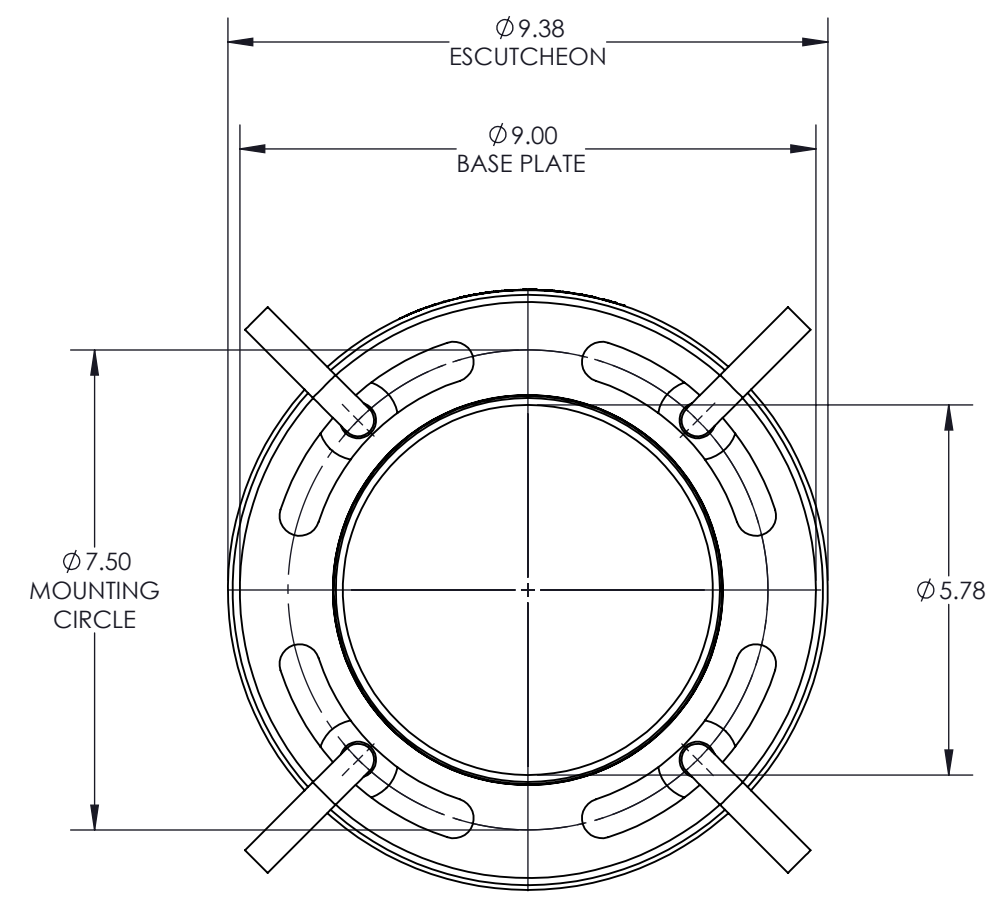


8 7 6 5 4 3 2 1

D
C
B
A



FRONT VIEW



ENLARGED
BOTTOM VIEW

CUSTOMER APPROVAL:

X _____

DATE:

X _____

UNLESS OTHERWISE SPECIFIED:
 1. PRIMARY DIM. ARE IN INCHES & SECONDARY [DIM] IN MM
 2. TOLERANCES
 FRACTIONAL: ±1/32; ANGULAR/BEND: ±1°
 TWO PLACE DECIMAL ±.030
 THREE PLACE DECIMAL ±.020
 3. REMOVE ALL BURRS AND SHARP EDGES
 THIRD ANGLE PROJECTION
 MATERIAL: SEE DATA SHEET
 FINISH: - SEE DATA SHEET
 WEIGHT: - SEE DATA SHEET
 SCALE: NOT TO SCALE

FORMS+SURFACES 30 Pine Street, Pittsburgh, PA 15223
 Tel (412) 781-9003 Fax (412) 385-4715

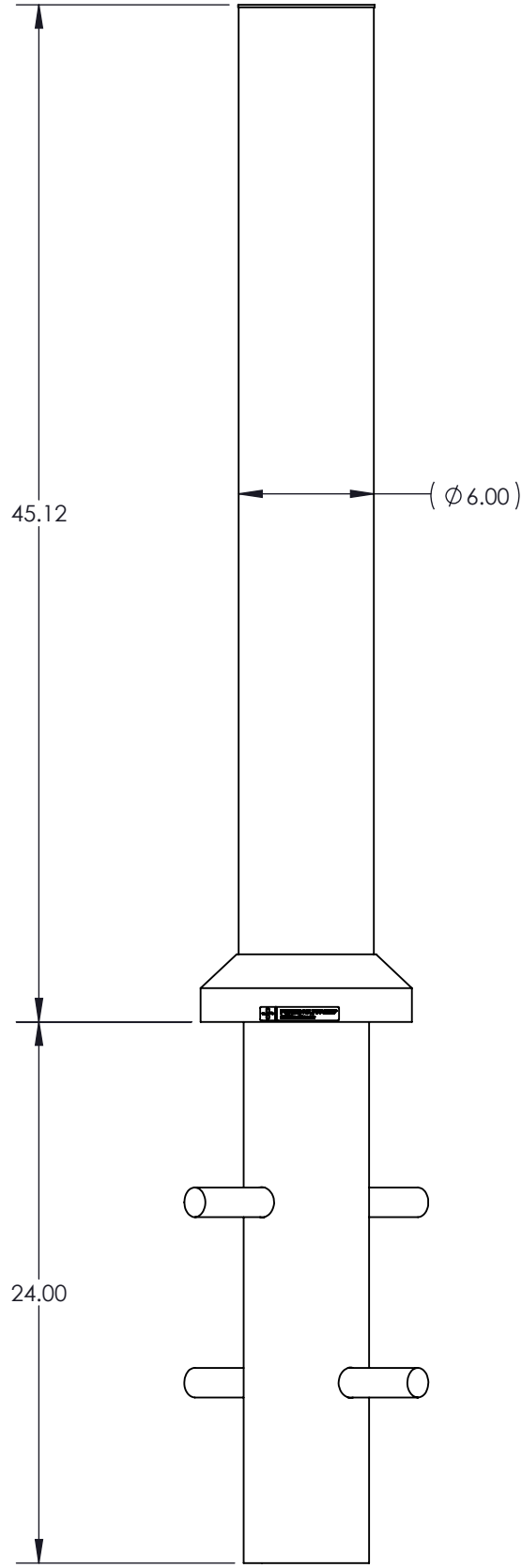
NAME	DATE
DWN ABM	04/21/2021
CHK MGJ	04/21/2021

DESCRIPTION:			
LIGHT COLUMN BOLLARD			
SERIES 600, NON-LIT, SURFACE MOUNT			
LBLCB-604-N, NON-LIT, SFM			
SIZE	DWG. NO.	REV	SHEET
B	LBLCB-604-N-SFM-CS	0	1 OF 1

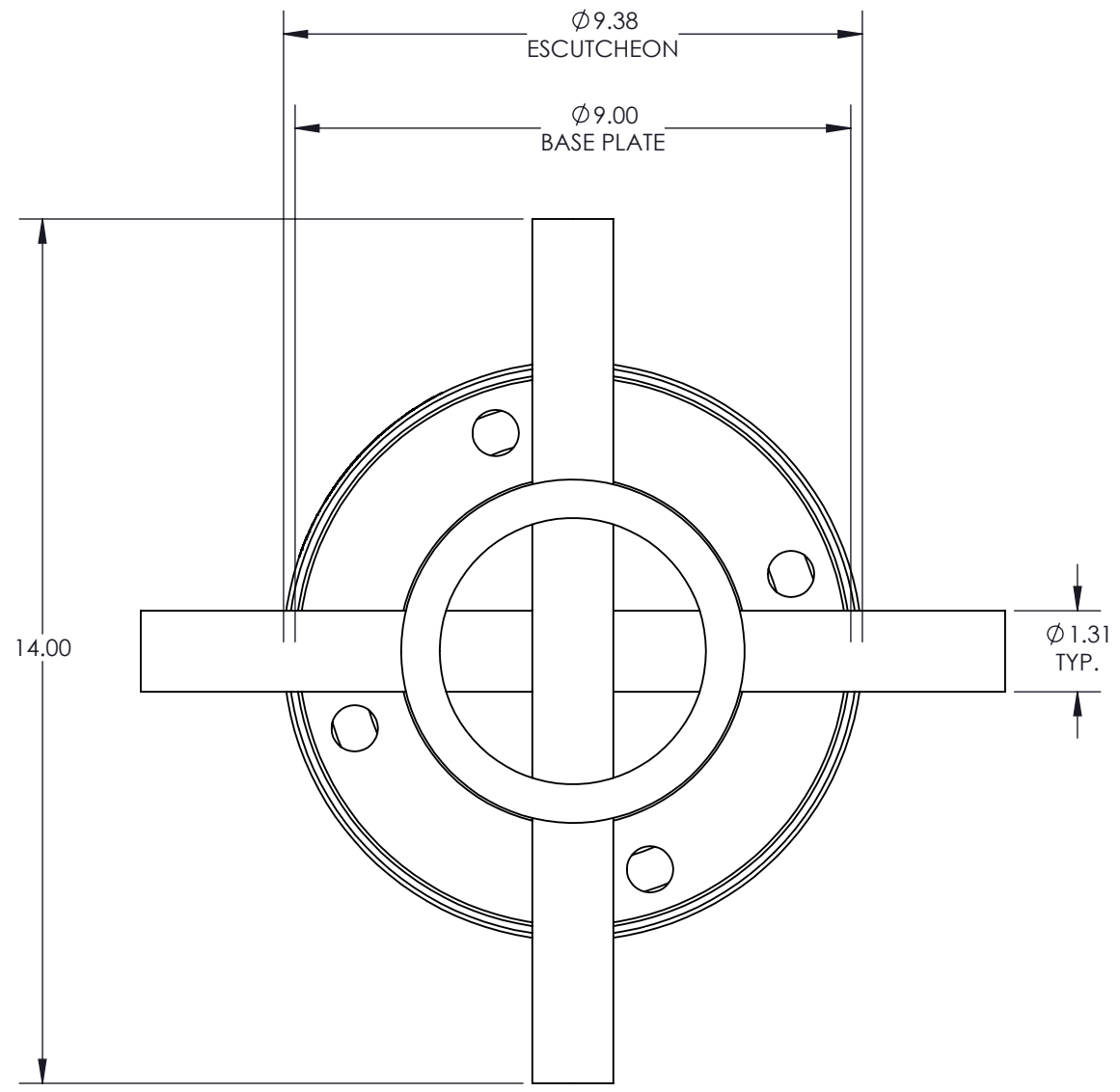
8 7 6 5 4 3 2 1

8 7 6 5 4 3 2 1

D
C
B
A



FRONT VIEW



ENLARGED
BOTTOM VIEW

CUSTOMER APPROVAL:

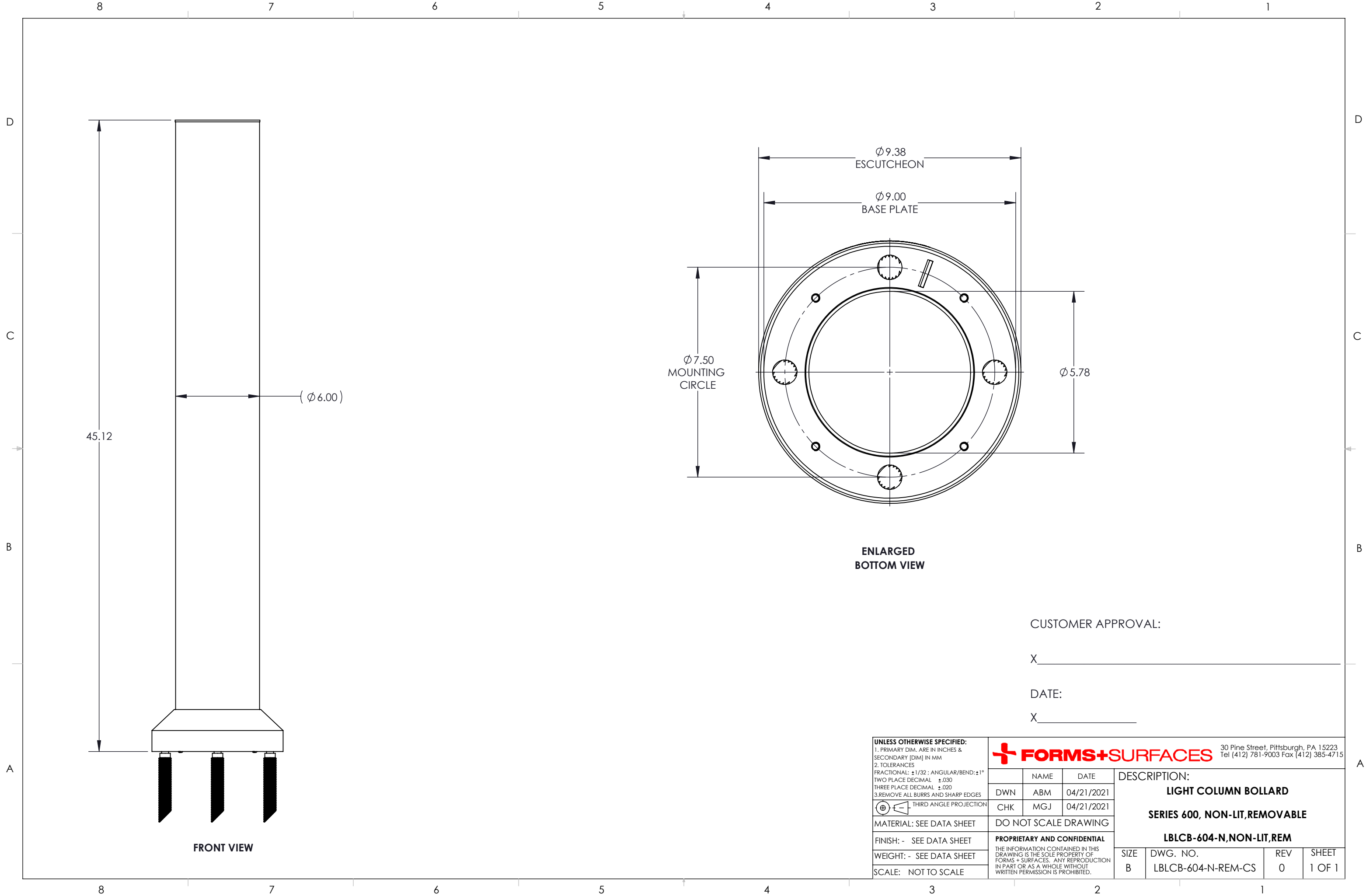
X _____

DATE:

X _____

UNLESS OTHERWISE SPECIFIED: 1. PRIMARY DIM. ARE IN INCHES & SECONDARY [DIM] IN MM 2. TOLERANCES FRACTIONAL: ±1/32; ANGULAR/BEND: ±1° TWO PLACE DECIMAL ±.030 THREE PLACE DECIMAL ±.020 3. REMOVE ALL BURRS AND SHARP EDGES THIRD ANGLE PROJECTION				30 Pine Street, Pittsburgh, PA 15223 Tel (412) 781-9003 Fax (412) 385-4715	
MATERIAL: SEE DATA SHEET FINISH: - SEE DATA SHEET WEIGHT: - SEE DATA SHEET SCALE: NOT TO SCALE		NAME DWN ABM DATE 04/21/2021		DESCRIPTION: LIGHT COLUMN BOLLARD SERIES 600, NON-LIT, SECURITY LBLCB-604-N, NON-LIT, SEC	
PROPRIETARY AND CONFIDENTIAL THE INFORMATION CONTAINED IN THIS DRAWING IS THE SOLE PROPERTY OF FORMS + SURFACES. ANY REPRODUCTION IN PART OR AS A WHOLE WITHOUT WRITTEN PERMISSION IS PROHIBITED.		DO NOT SCALE DRAWING	SIZE B	DWG. NO. LBLCB-604-N-SEC-CS	REV 0
				SHEET 1 OF 1	

8 7 6 5 4 3 2 1



CUSTOMER APPROVAL:

X _____

DATE:

X _____

UNLESS OTHERWISE SPECIFIED:

- 1. PRIMARY DIM. ARE IN INCHES & SECONDARY [DIM] IN MM
- 2. TOLERANCES
 FRACTIONAL: $\pm 1/32$; ANGULAR/BEND: $\pm 1^\circ$
 TWO PLACE DECIMAL $\pm .030$
 THREE PLACE DECIMAL $\pm .020$
- 3. REMOVE ALL BURRS AND SHARP EDGES

MATERIAL: SEE DATA SHEET

FINISH: - SEE DATA SHEET

WEIGHT: - SEE DATA SHEET

SCALE: NOT TO SCALE

FORMS+SURFACES 30 Pine Street, Pittsburgh, PA 15223
 Tel (412) 781-9003 Fax (412) 385-4715

	NAME	DATE
DWN	ABM	04/21/2021
CHK	MGJ	04/21/2021

DO NOT SCALE DRAWING

PROPRIETARY AND CONFIDENTIAL
 THE INFORMATION CONTAINED IN THIS DRAWING IS THE SOLE PROPERTY OF FORMS + SURFACES. ANY REPRODUCTION IN PART OR AS A WHOLE WITHOUT WRITTEN PERMISSION IS PROHIBITED.

DESCRIPTION:			
LIGHT COLUMN BOLLARD			
SERIES 600, NON-LIT, REMOVABLE			
LBLCB-604-N, NON-LIT, REM			
SIZE	DWG. NO.	REV	SHEET
B	LBLCB-604-N-REM-CS	0	1 OF 1