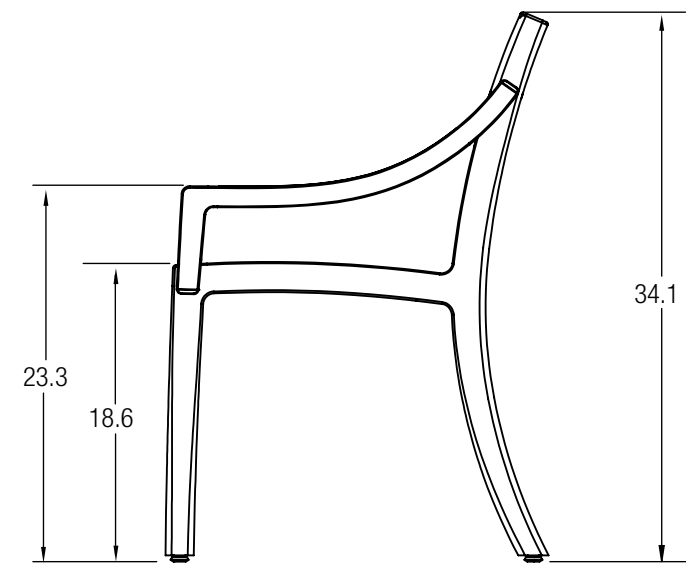
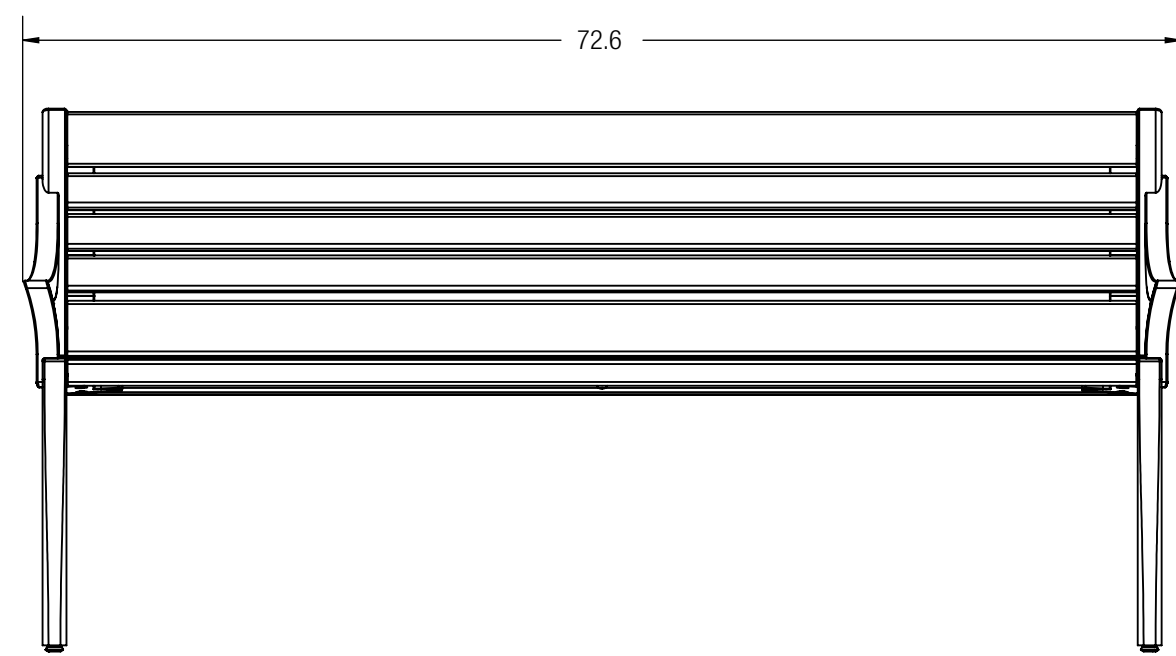
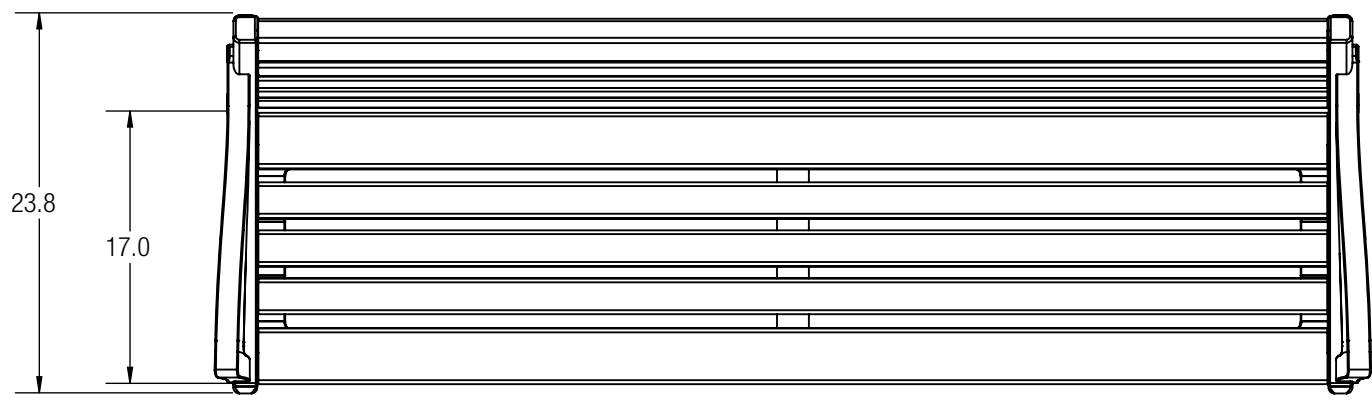


8 7 6 5 4 3 2 1

D
C
B
A



CUSTOMER APPROVAL:

X _____

DATE:

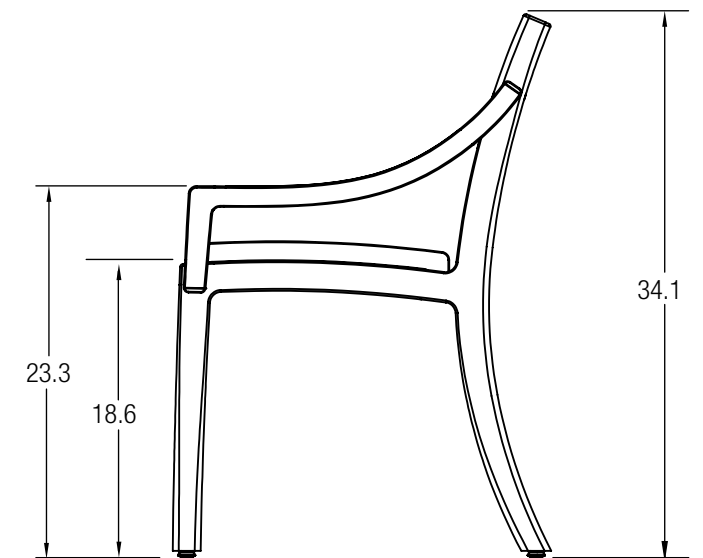
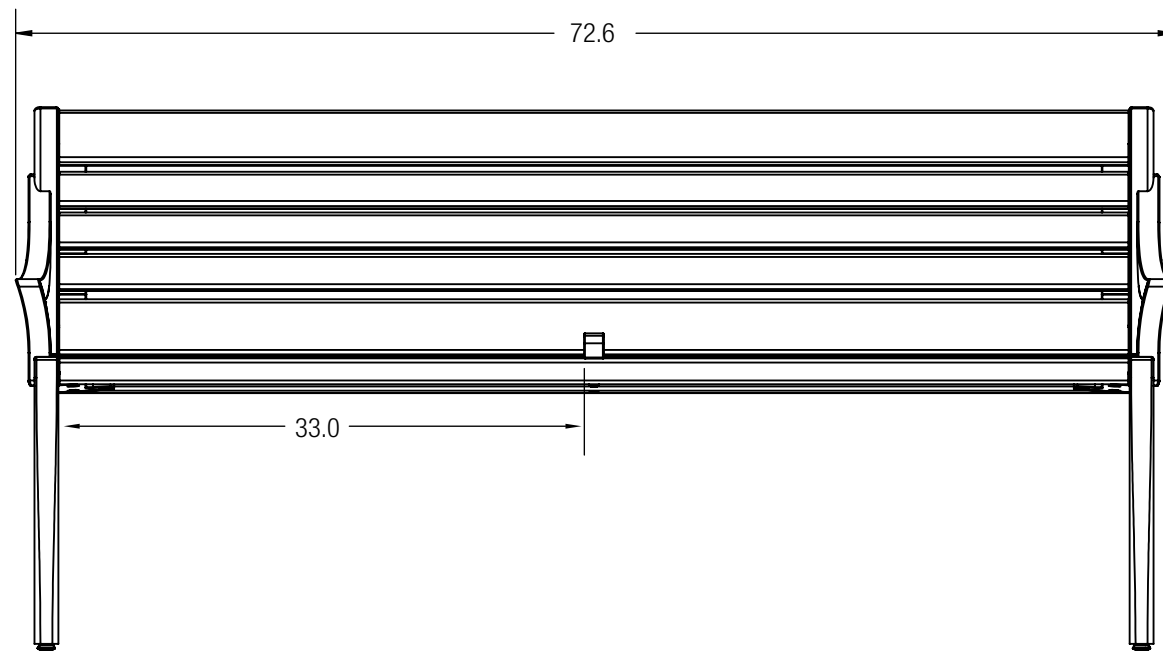
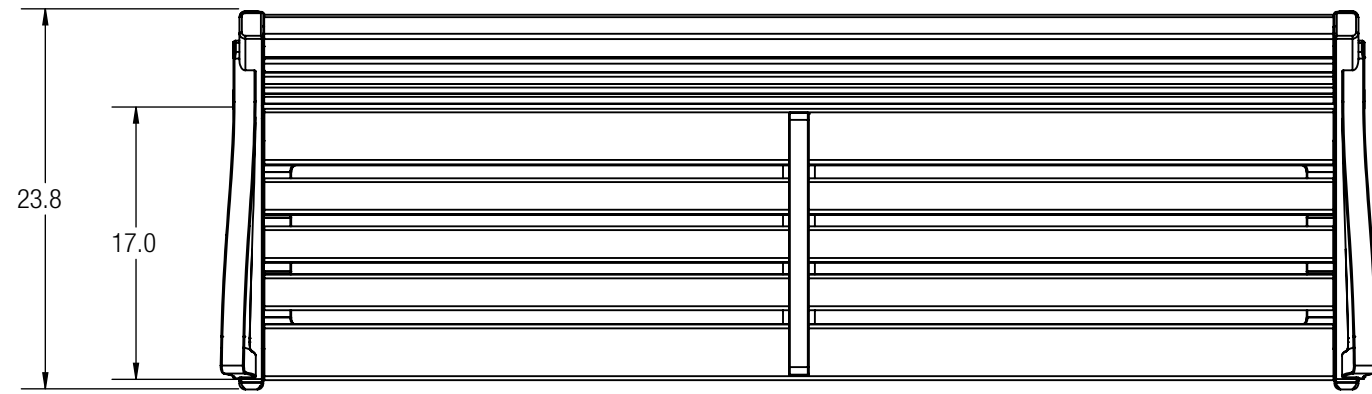
X _____

UNLESS OTHERWISE SPECIFIED, DIMENSIONS ARE IN INCHES		FORMS+SURFACES ® 30 Pine Street, Pittsburgh, PA 15223 Tel (412) 781-9003 Fax (412) 781-7840	
TOLERANCES (UNLESS OTHERWISE SPECIFIED): FRACTIONAL: ±1/32 ANGULAR/BEND: ±1°* TWO PLACE DECIMAL ±.030 THREE PLACE DECIMAL ±.020		NAME	DATE
MATERIAL: SEE DATA SHEET		DWN	EK 01/31/2014
FINISH: SEE DATA SHEET		DO NOT SCALE DRAWING	
WEIGHT: 142 LBS		PROPRIETARY AND CONFIDENTIAL	
SOURCE: MDW		THE INFORMATION CONTAINED IN THIS DRAWING IS THE SOLE PROPERTY OF FORMS + SURFACES. ANY REPRODUCTION IN PART OR AS A WHOLE WITHOUT WRITTEN PERMISSION IS PROHIBITED.	
SCALE: N.T.S.		SIZE	DWG. NO.
		B	SBCOR-72BA FS
		REV	SHEET
		0	1 OF 1

CORDIA BENCH, BACKED ALUMINUM, FREESTANDING

8 7 6 5 4 3 2 1

8 7 6 5 4 3 2 1



D

D

B

B

A

A

CUSTOMER APPROVAL:

X _____

DATE:

X _____

UNLESS OTHERWISE SPECIFIED, DIMENSIONS ARE IN INCHES

TOLERANCES (UNLESS OTHERWISE SPECIFIED):
 FRACTIONAL: ±1/32
 ANGULAR/BEND: ±1°
 TWO PLACE DECIMAL ±.030
 THREE PLACE DECIMAL ±.020

MATERIAL: SEE DATA SHEET

FINISH: SEE DATA SHEET

WEIGHT: 144 LBS

SOURCE: MDW

SCALE: N.T.S.

FORMS+SURFACES® 30 Pine Street, Pittsburgh, PA 15223
 Tel (412) 781-9003 Fax (412) 781-7840

NAME	DATE
DWN	EK 01/31/2014

DO NOT SCALE DRAWING

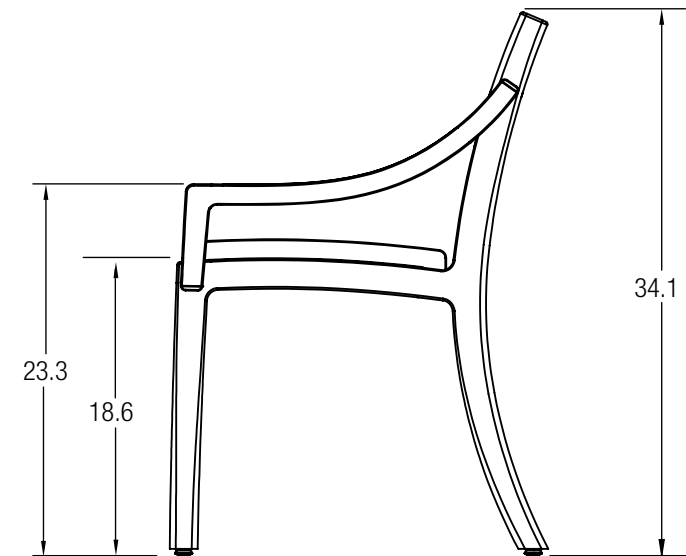
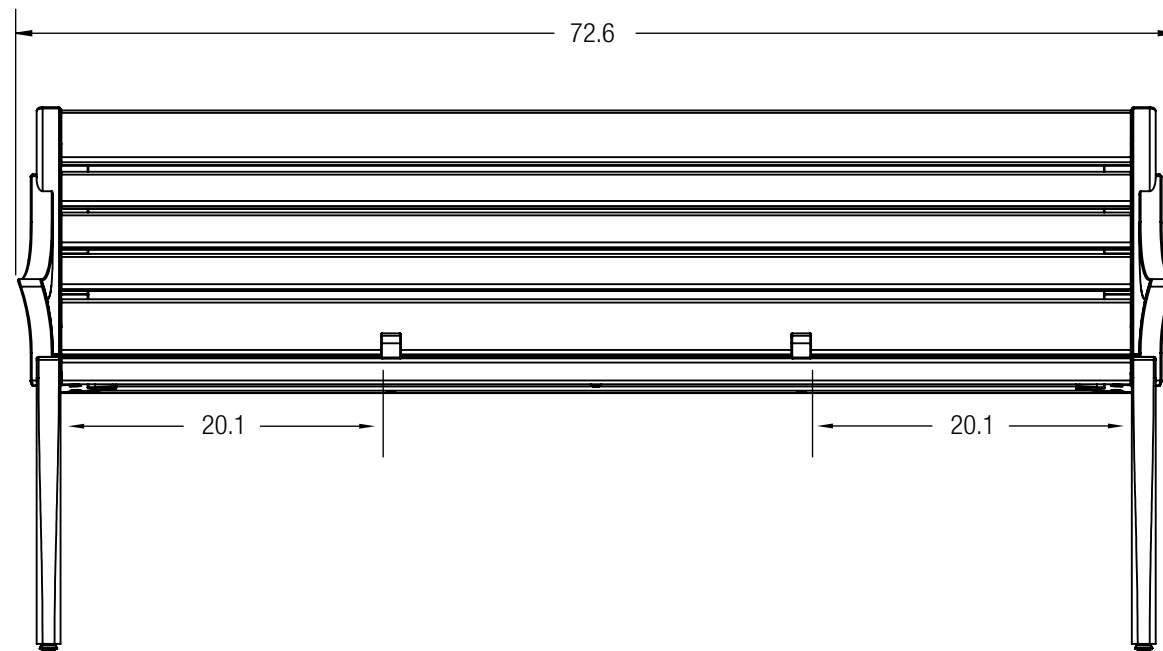
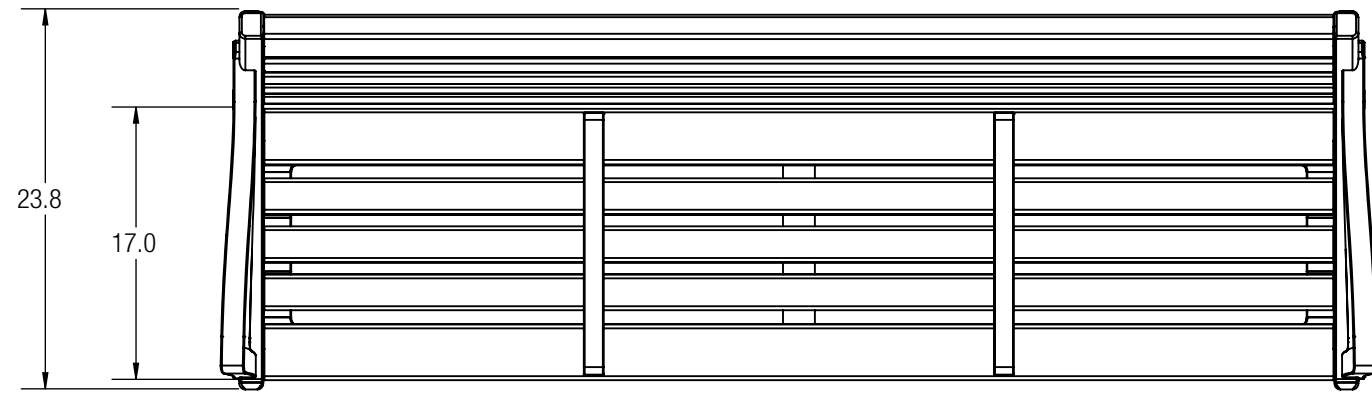
PROPRIETARY AND CONFIDENTIAL
 THE INFORMATION CONTAINED IN THIS DRAWING IS THE SOLE PROPERTY OF FORMS + SURFACES. ANY REPRODUCTION IN PART OR AS A WHOLE WITHOUT WRITTEN PERMISSION IS PROHIBITED.

CORDIA BENCH, BACKED ALUMINUM, 1 SEAT DIVIDER, FREESTANDING

SIZE	DWG. NO.	REV	SHEET
B	SBCOR-72BAA1 FS	0	1 OF 1

8 7 6 5 4 3 2 1

8 7 6 5 4 3 2 1



CUSTOMER APPROVAL:

X _____

DATE:

X _____

UNLESS OTHERWISE SPECIFIED, DIMENSIONS ARE IN INCHES

TOLERANCES (UNLESS OTHERWISE SPECIFIED):
 FRACTIONAL: ±1/32
 ANGULAR/BEND: ±1°
 TWO PLACE DECIMAL ±.030
 THREE PLACE DECIMAL ±.020

MATERIAL: SEE DATA SHEET

FINISH: SEE DATA SHEET

WEIGHT: 147 LBS

SOURCE: MDW

SCALE: N.T.S.

FORMS+SURFACES® 30 Pine Street, Pittsburgh, PA 15223
 Tel (412) 781-9003 Fax (412) 781-7840

NAME	DATE
DWN	EK 01/31/2014

DO NOT SCALE DRAWING

PROPRIETARY AND CONFIDENTIAL
 THE INFORMATION CONTAINED IN THIS DRAWING IS THE SOLE PROPERTY OF FORMS + SURFACES. ANY REPRODUCTION IN PART OR AS A WHOLE WITHOUT WRITTEN PERMISSION IS PROHIBITED.

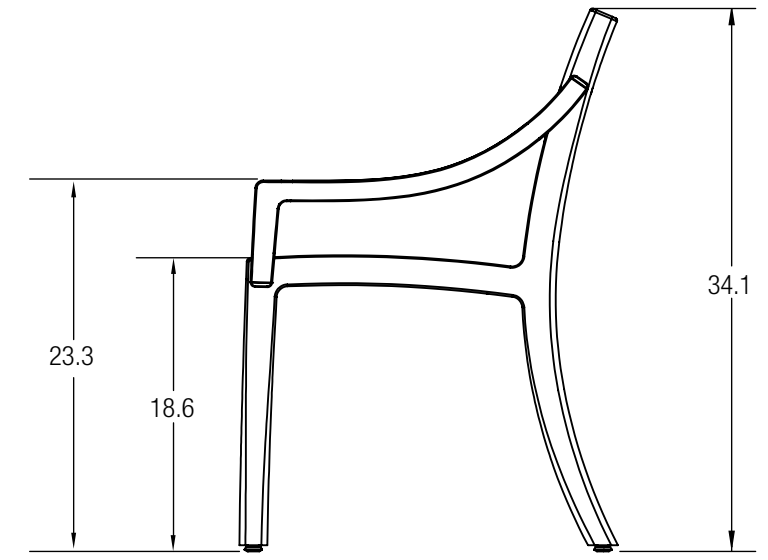
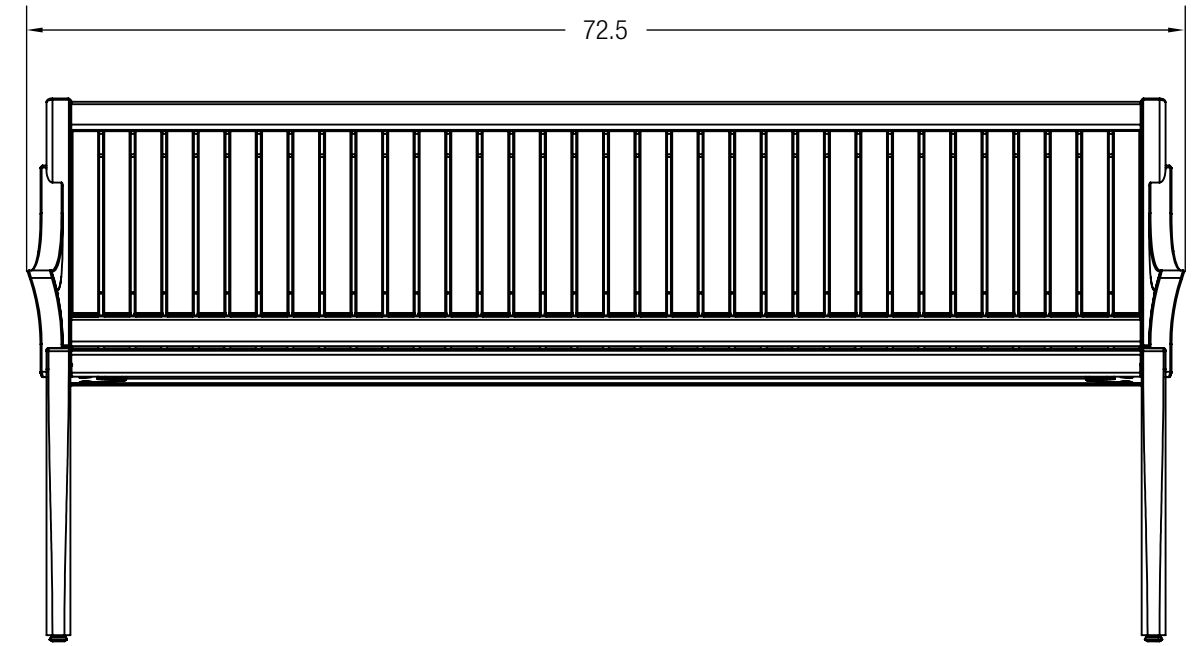
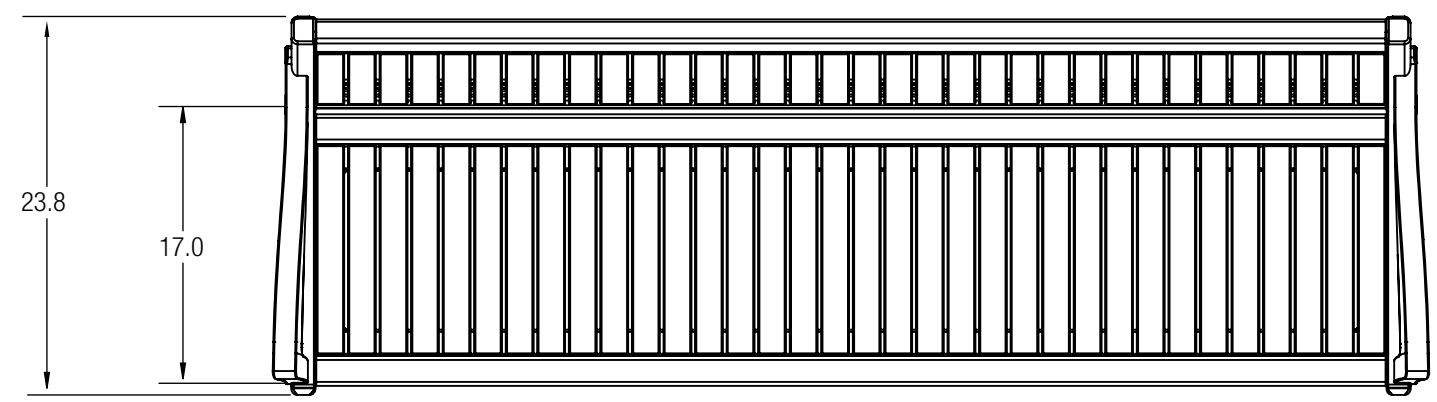
CORDIA BENCH, BACKED ALUMINUM, 2 SEAT DIVIDERS, FREESTANDING

SIZE	DWG. NO.	REV	SHEET
B	SBCOR-72BAA2 FS	0	1 OF 1

8 7 6 5 4 3 2 1

8 7 6 5 4 3 2 1

D
C
B
A



CUSTOMER APPROVAL:

X _____

DATE:

X _____

UNLESS OTHERWISE SPECIFIED,
DIMENSIONS ARE IN INCHES
TOLERANCES (UNLESS OTHERWISE
SPECIFIED):
FRACTIONAL: ±1/32
ANGULAR/BEND: ±1°*
TWO PLACE DECIMAL ±.030
THREE PLACE DECIMAL ±.020
MATERIAL: SEE DATA SHEET
FINISH: SEE DATA SHEET
WEIGHT: 135 LBS
SOURCE: MDW
SCALE: N.T.S.

FORMS+SURFACES® 30 Pine Street, Pittsburgh, PA 15223
Tel (412) 781-9003 Fax (412) 781-7840

NAME	DATE
DWN	EK 01/31/2014

DO NOT SCALE DRAWING

PROPRIETARY AND CONFIDENTIAL
THE INFORMATION CONTAINED IN THIS
DRAWING IS THE SOLE PROPERTY OF
FORMS + SURFACES. ANY REPRODUCTION
IN PART OR AS A WHOLE WITHOUT
WRITTEN PERMISSION IS PROHIBITED.

CORDIA BENCH, BACKED
CUMARU, FREESTANDING
SBCOR-72BW

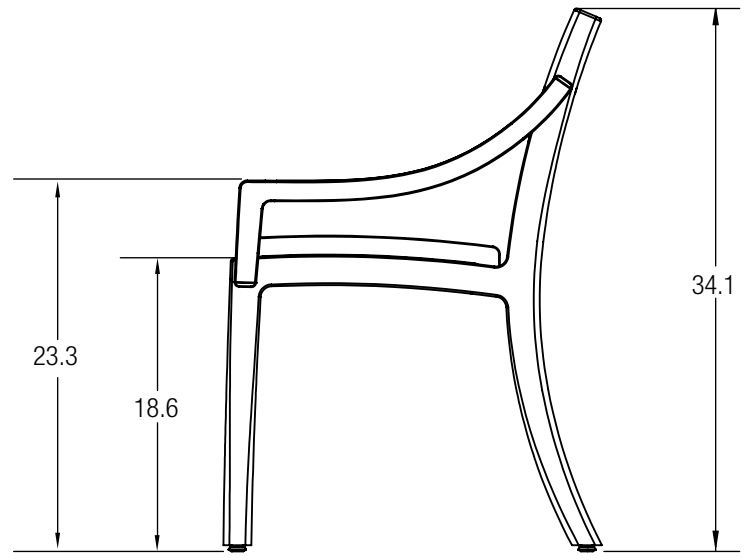
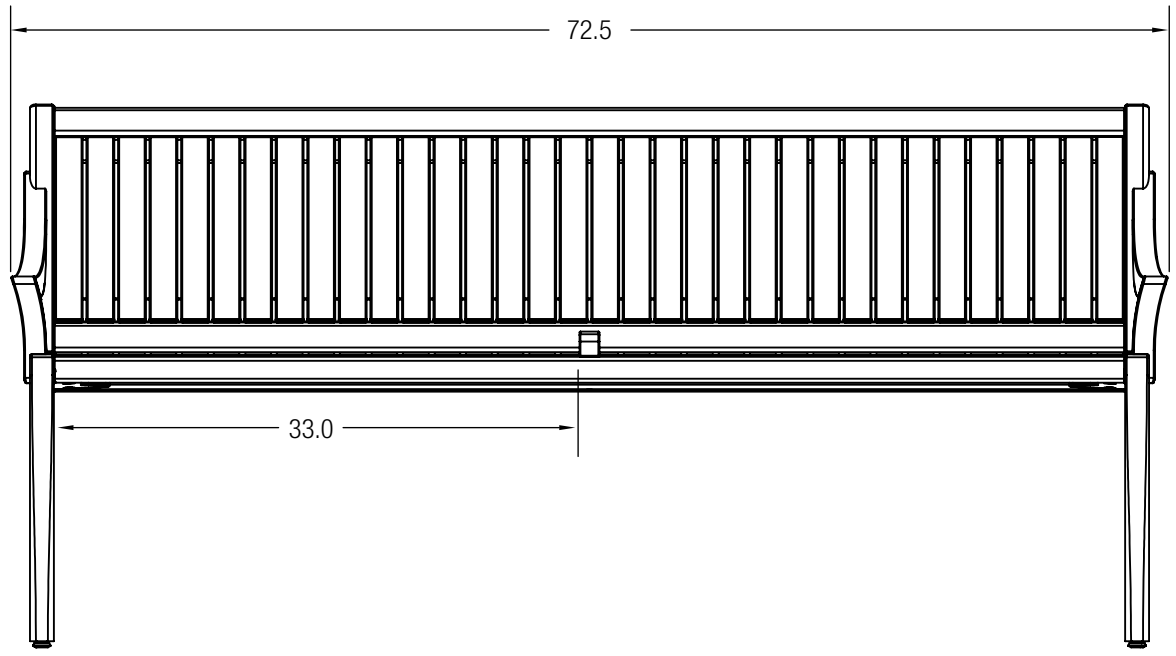
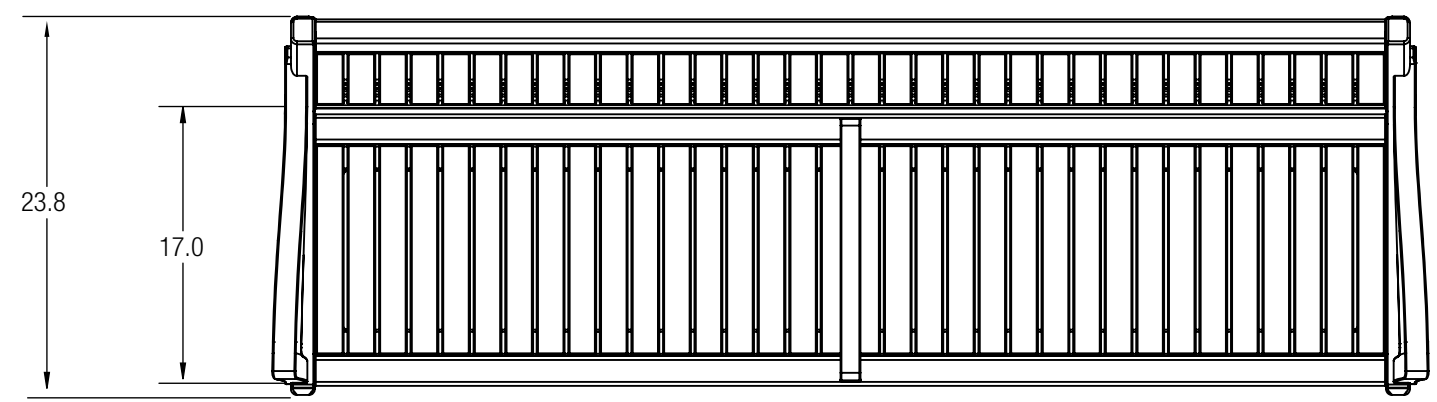
SIZE	DWG. NO.	REV	SHEET
B	SBCOR-72BC FS	0	1 OF 1

8 7 6 5 4 3 2 1

8 7 6 5 4 3 2 1

D
C
B
A

D
C
B
A



CUSTOMER APPROVAL:

X _____

DATE:

X _____

UNLESS OTHERWISE SPECIFIED,
DIMENSIONS ARE IN INCHES
TOLERANCES (UNLESS OTHERWISE
SPECIFIED):
FRACTIONAL: ±1/32
ANGULAR/BEND: ±1°*
TWO PLACE DECIMAL ±.030
THREE PLACE DECIMAL ±.020
MATERIAL: SEE DATA SHEET
FINISH: SEE DATA SHEET
WEIGHT: 137 LBS
SOURCE: MDW
SCALE: N.T.S.

FORMS+SURFACES® 30 Pine Street, Pittsburgh, PA 15223
Tel (412) 781-9003 Fax (412) 781-7840

NAME	DATE
DWN	EK 01/31/2014

DO NOT SCALE DRAWING

PROPRIETARY AND CONFIDENTIAL
THE INFORMATION CONTAINED IN THIS
DRAWING IS THE SOLE PROPERTY OF
FORMS + SURFACES. ANY REPRODUCTION
IN PART OR AS A WHOLE WITHOUT
WRITTEN PERMISSION IS PROHIBITED.

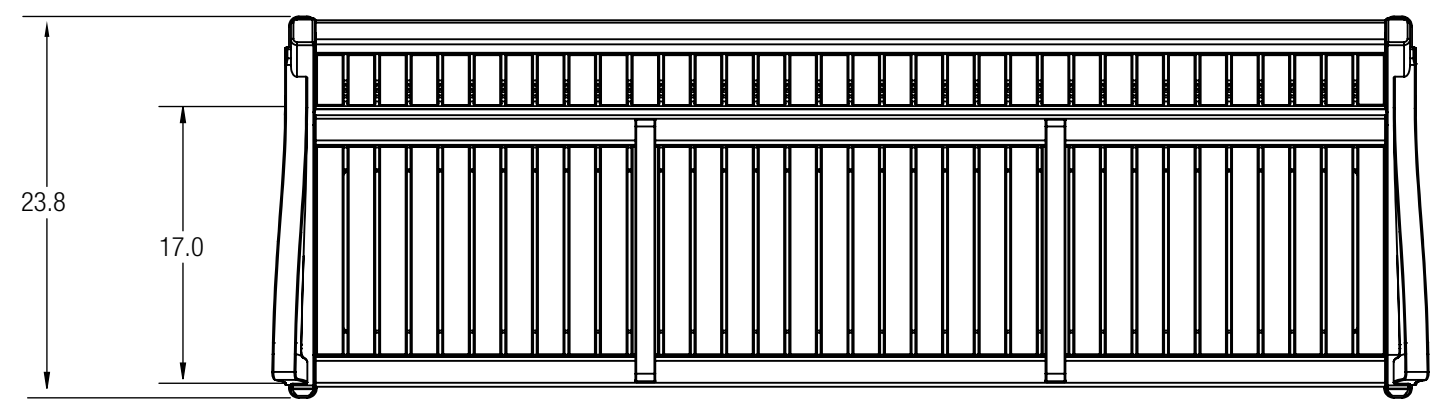
CORDIA BENCH, BACKED
CUMARU, 1 SEAT DIVIDER,
FREESTANDING

SIZE	DWG. NO.	REV	SHEET
B	SBCOR-72BCA1 FS	0	1 OF 1

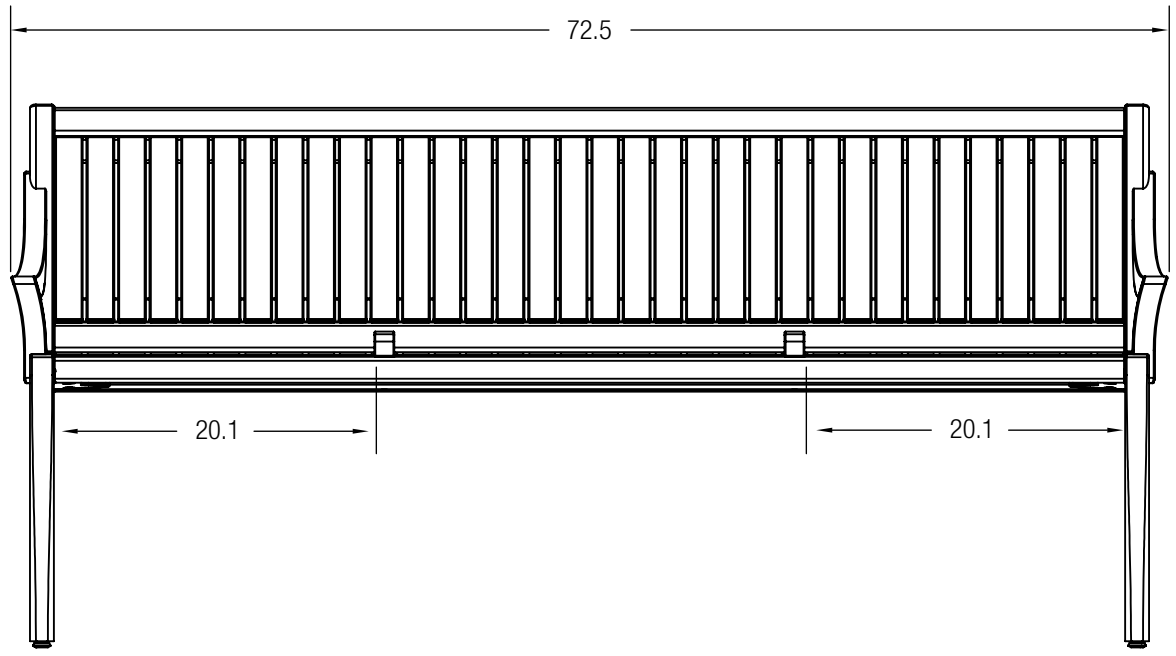
8 7 6 5 4 3 2 1

8 7 6 5 4 3 2 1

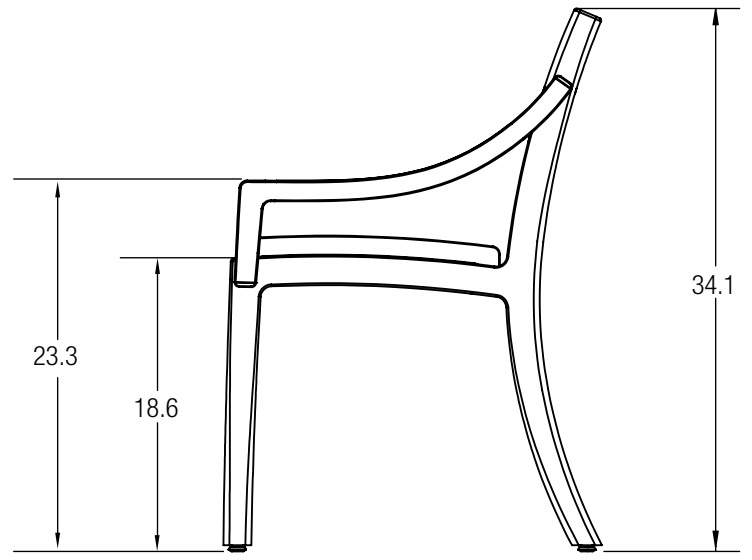
D



C



B



D

C

B

A

CUSTOMER APPROVAL:

X _____

DATE:

X _____

UNLESS OTHERWISE SPECIFIED,
DIMENSIONS ARE IN INCHES
TOLERANCES (UNLESS OTHERWISE
SPECIFIED):
FRACTIONAL: ±1/32
ANGULAR/BEND: ±1°*
TWO PLACE DECIMAL ±.030
THREE PLACE DECIMAL ±.020
MATERIAL: SEE DATA SHEET
FINISH: SEE DATA SHEET
WEIGHT: 140 LBS
SOURCE: MDW
SCALE: N.T.S.

FORMS+SURFACES® 30 Pine Street, Pittsburgh, PA 15223
Tel (412) 781-9003 Fax (412) 781-7840

NAME	DATE
DWN	EK 01/31/2014

DO NOT SCALE DRAWING

PROPRIETARY AND CONFIDENTIAL
THE INFORMATION CONTAINED IN THIS
DRAWING IS THE SOLE PROPERTY OF
FORMS + SURFACES. ANY REPRODUCTION
IN PART OR AS A WHOLE WITHOUT
WRITTEN PERMISSION IS PROHIBITED.

CORDIA BENCH, BACKED
CUMARU, 2 SEAT DIVIDERS,
FREESTANDING

SIZE	DWG. NO.	REV	SHEET
B	SBCOR-72BCA2 FS	0	1 OF 1

8 7 6 5 4 3 2 1