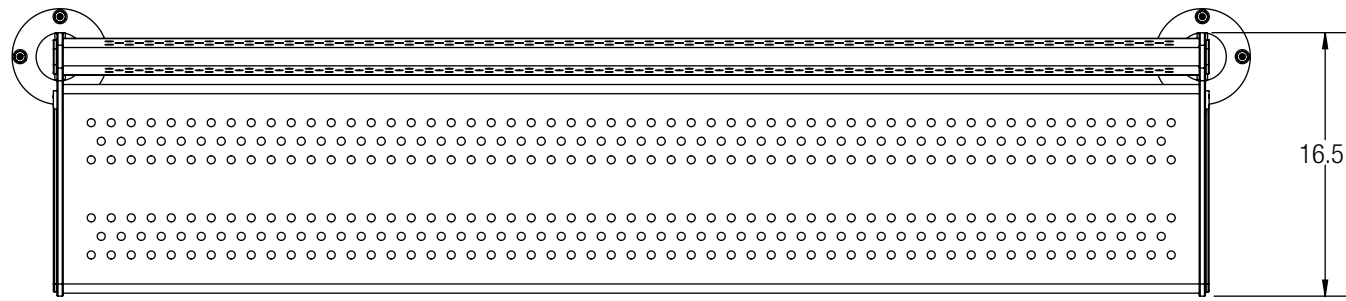


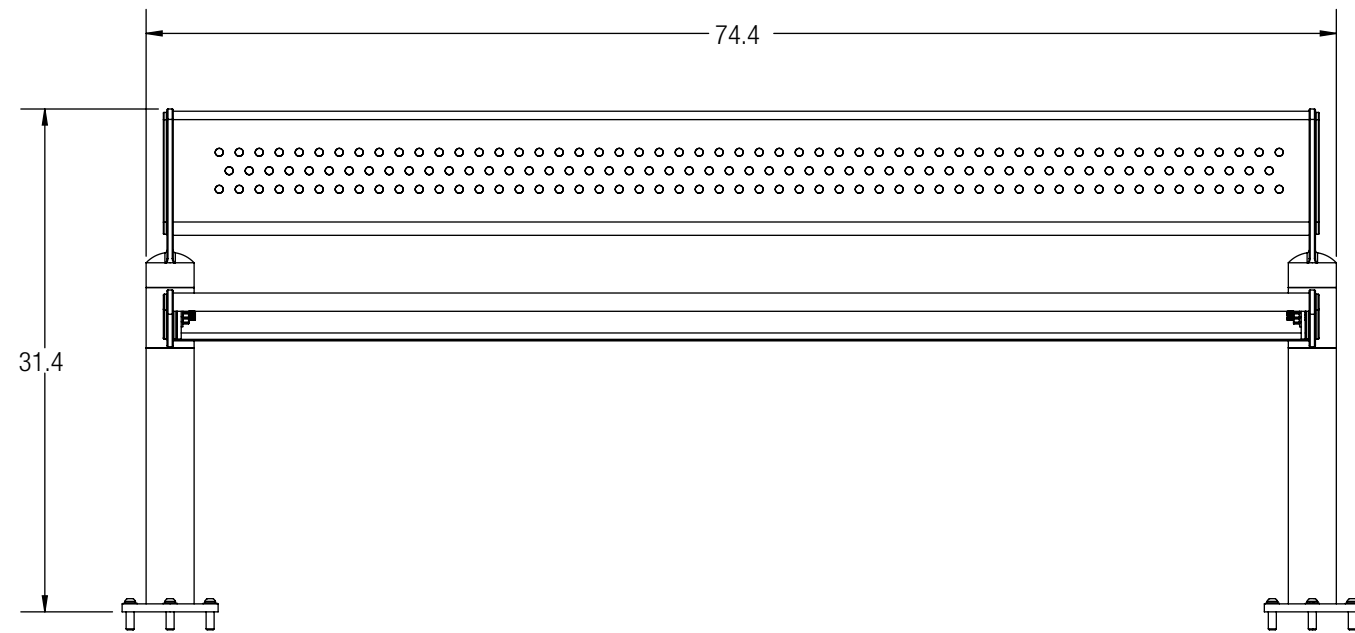
8 7 6 5 4 3 2 1

D



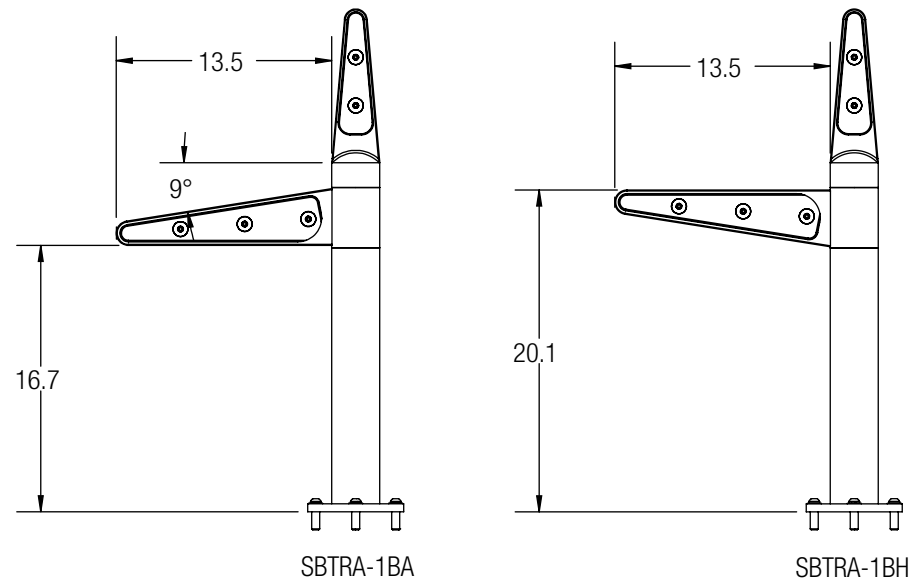
D

C



C

B



B

A

CUSTOMER APPROVAL:

X _____

DATE:

X _____

| | | | |
|--|--|--|-------------------|
| UNLESS OTHERWISE SPECIFIED, DIMENSIONS ARE IN INCHES | | FORMS+SURFACES ® 30 Pine Street, Pittsburgh, PA 15223 Tel (800) 451-0410 Fax (412) 781-7840 | |
| TOLERANCES (UNLESS OTHERWISE SPECIFIED): FRACTIONAL: ±1/32 ANGULAR/BEND: ±1° TWO PLACE DECIMAL ±.030 THREE PLACE DECIMAL ±.020 | | DATE | 01/01/2011 |
| MATERIAL: SEE DATA SHEET | | TRANSIT, SINGLE, BACKED, ANGLED SBTRA-1BA (SURFACE MOUNT) | |
| FINISH: SEE DATA SHEET | | TRANSIT, SINGLE, BACKED, HORIZ. SBTRA-1BH (SURFACE MOUNT) | |
| WEIGHT: 114.2 LBS. | | PROPRIETARY AND CONFIDENTIAL THE INFORMATION CONTAINED IN THIS DRAWING IS THE SOLE PROPERTY OF FORMS + SURFACES. ANY REPRODUCTION IN PART OR AS A WHOLE WITHOUT WRITTEN PERMISSION IS PROHIBITED. | |
| SOURCE: M | | SIZE | DWG. NO. |
| SCALE: N.T.S. | | B | SBTRA-1BA/H-SM-TD |
| | | REV | SHEET |
| | | 0 | 1 OF 1 |

A

8 7 6 5 4 3 2 1