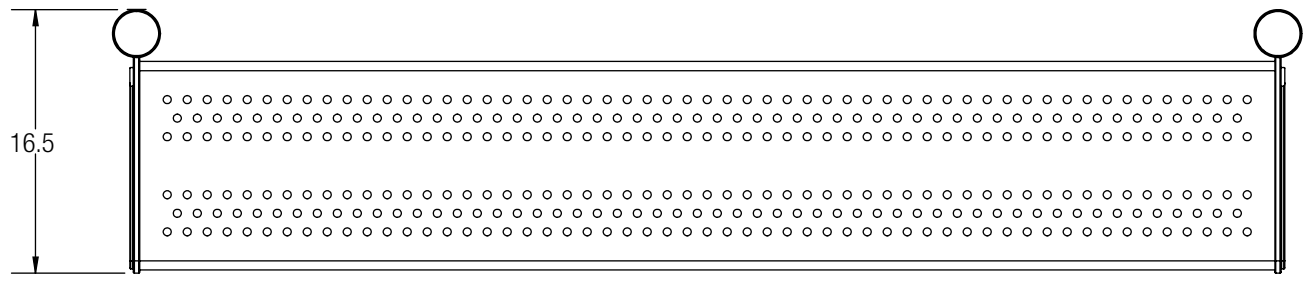


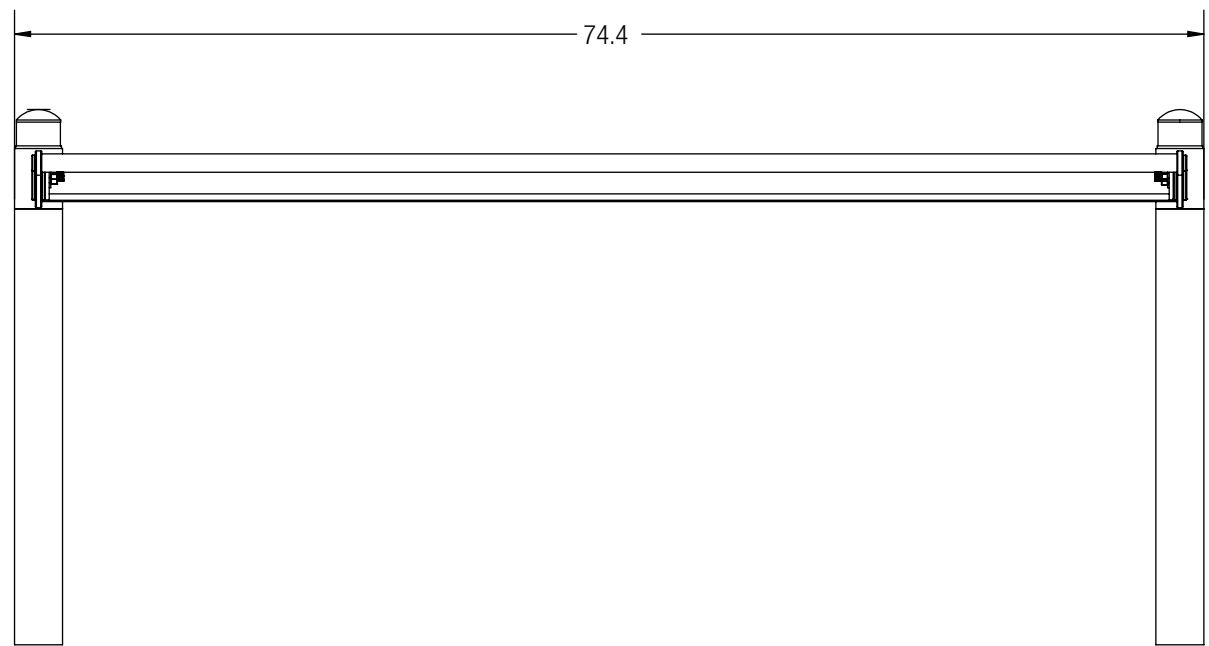
8 7 6 5 4 3 2 1

D



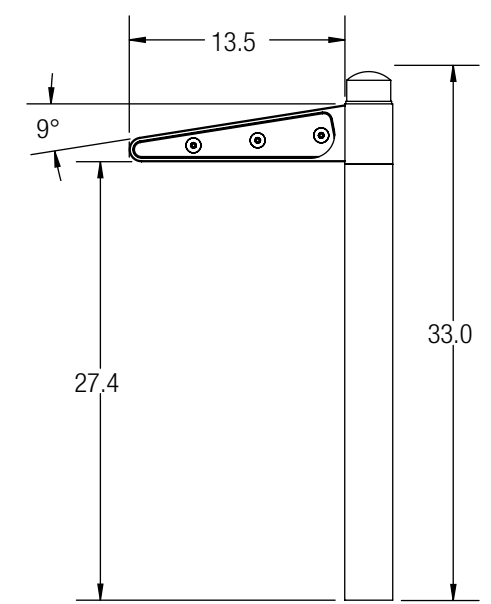
D

C

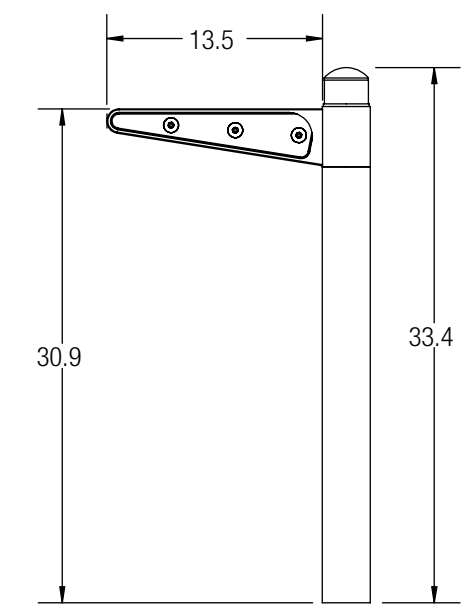


C

B



SBTRA-1LA



SBTRA-1LH

B

A

CUSTOMER APPROVAL:

X _____

DATE:

X _____

UNLESS OTHERWISE SPECIFIED,
DIMENSIONS ARE IN INCHES

TOLERANCES (UNLESS OTHERWISE SPECIFIED):
FRACTIONAL: $\pm 1/32$
ANGULAR/BEND: $\pm 1^\circ$
TWO PLACE DECIMAL: $\pm .030$
THREE PLACE DECIMAL: $\pm .020$

MATERIAL: SEE DATA SHEET

FINISH: SEE DATA SHEET

WEIGHT: 82.2 LBS.

SOURCE: M

SCALE: N.T.S.

FORMS+SURFACES® 30 Pine Street, Pittsburgh, PA 15223
Tel (800) 451-0410 Fax (412) 781-7840

DATE	
01/01/2011	
DO NOT SCALE DRAWING	
PROPRIETARY AND CONFIDENTIAL	
THE INFORMATION CONTAINED IN THIS DRAWING IS THE SOLE PROPERTY OF FORMS + SURFACES. ANY REPRODUCTION IN PART OR AS A WHOLE WITHOUT WRITTEN PERMISSION IS PROHIBITED.	

TRANSIT, SINGLE, BACKLESS, ANGLED SBTRA-1LA (EMBEDDED)			
TRANSIT, SINGLE, BACKLESS, ANGLED SBTRA-1LH (EMBEDDED)			
SIZE	DWG. NO.	REV	SHEET
B	SBTRA-1LA/H-EM-TD	0	1 OF 1

8 7 6 5 4 3 2 1

A