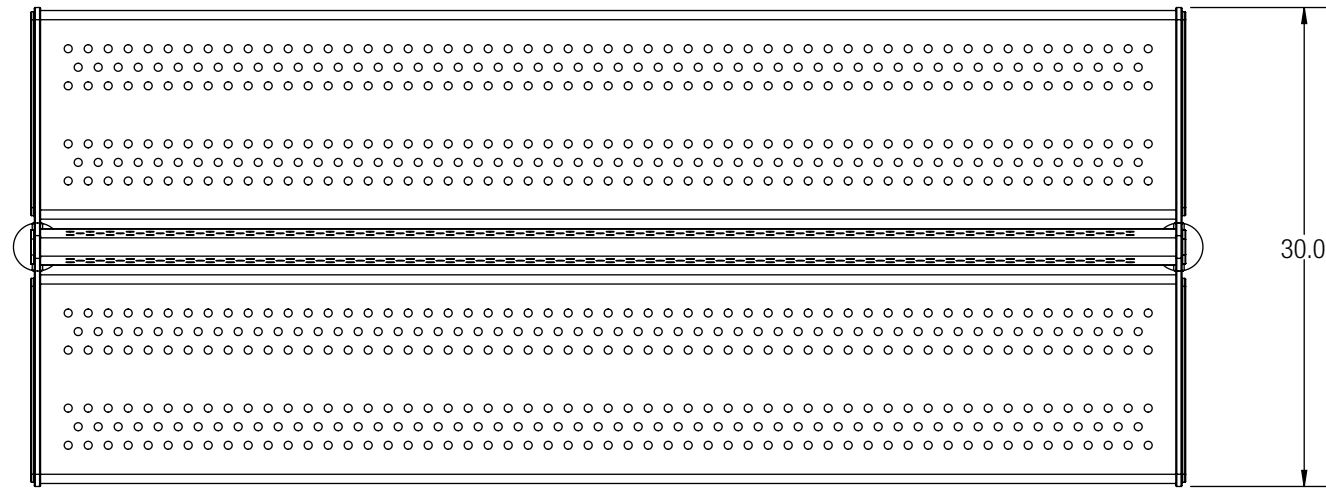


8 7 6 5 4 3 2 1

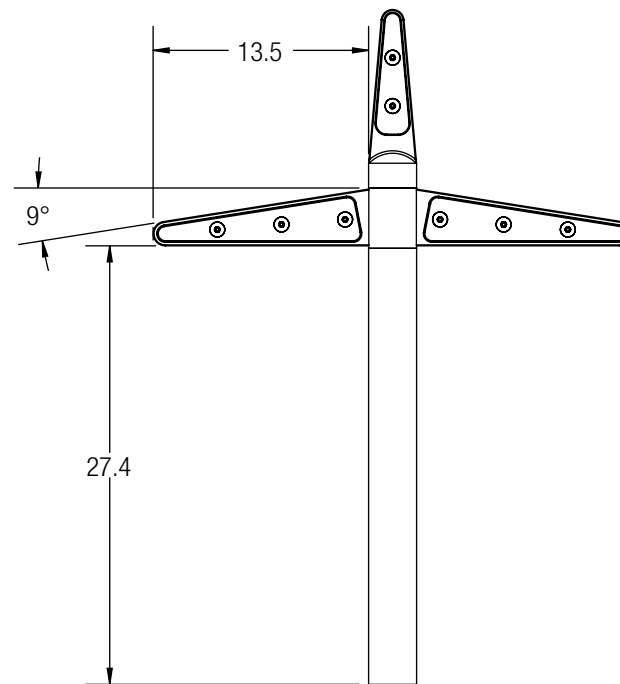
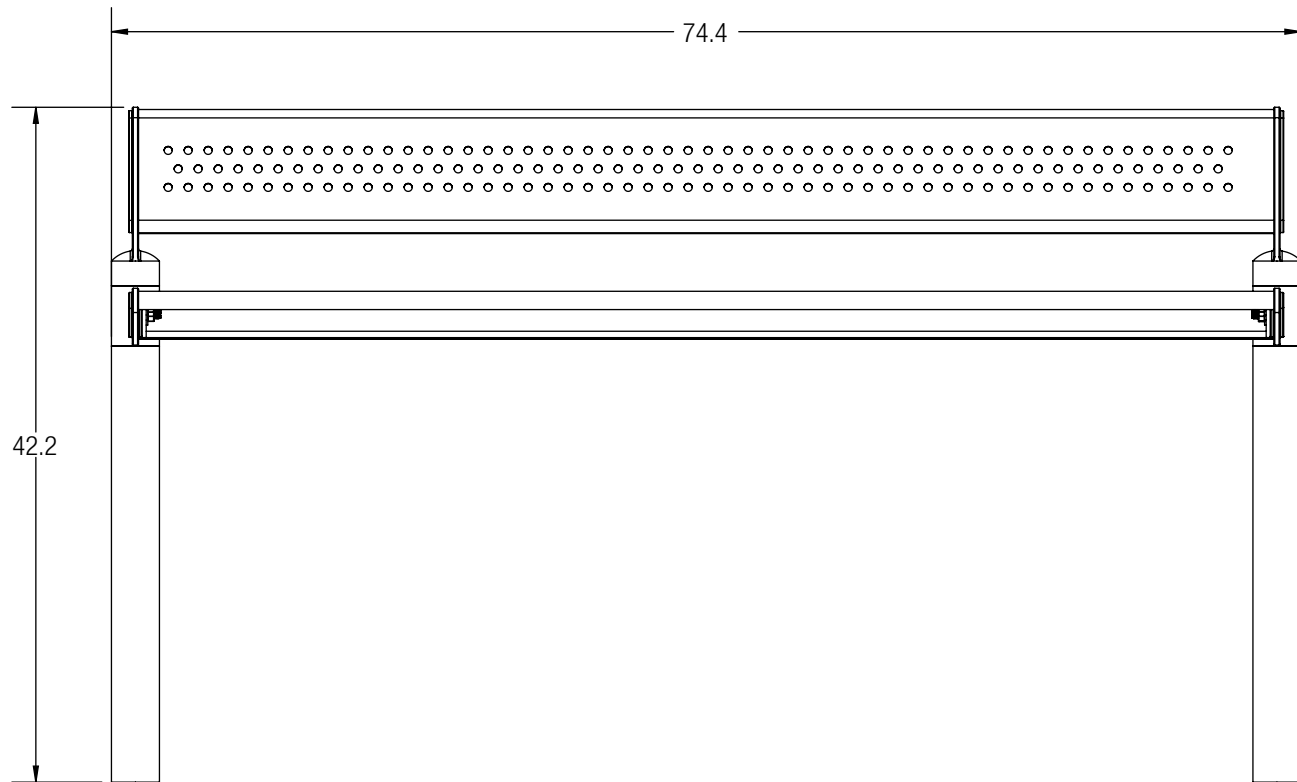
D

D

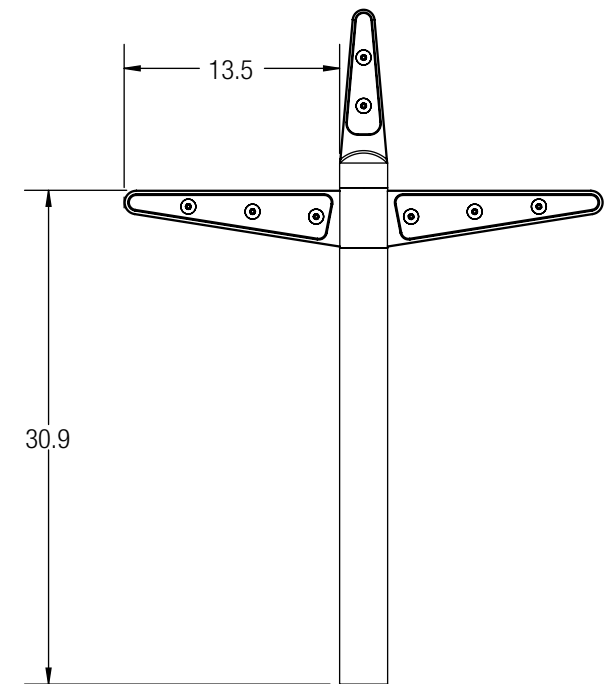


C

C



SBTRA-2BA



SBTRA-2BH

B

B

A

A

CUSTOMER APPROVAL:

X _____

DATE:

X _____

UNLESS OTHERWISE SPECIFIED, DIMENSIONS ARE IN INCHES		FORMS+SURFACES ® 30 Pine Street, Pittsburgh, PA 15223 Tel (800) 451-0410 Fax (412) 781-7840	
TOLERANCES (UNLESS OTHERWISE SPECIFIED): FRACTIONAL: ±1/32 ANGULAR/BEND: ±1° TWO PLACE DECIMAL ±.030 THREE PLACE DECIMAL ±.020		DATE	
MATERIAL: SEE DATA SHEET		01/01/2011	
FINISH: SEE DATA SHEET		DO NOT SCALE DRAWING	
WEIGHT: 161.7 LBS.		PROPRIETARY AND CONFIDENTIAL	
SOURCE: M		THE INFORMATION CONTAINED IN THIS DRAWING IS THE SOLE PROPERTY OF FORMS + SURFACES. ANY REPRODUCTION IN PART OR AS A WHOLE WITHOUT WRITTEN PERMISSION IS PROHIBITED.	
SCALE: N.T.S.		SIZE	DWG. NO.
		B	SBTRA-2BA/H-EM-TD
		REV	0
		SHEET	1 OF 1

TRANSIT, DOUBLE, BACKED, ANGLED
SBTRA-2BA (EMBEDDED)
TRANSIT, DOUBLE, BACKED, HORIZ.
SBTRA-2BH (EMBEDDED)

8 7 6 5 4 3 2 1