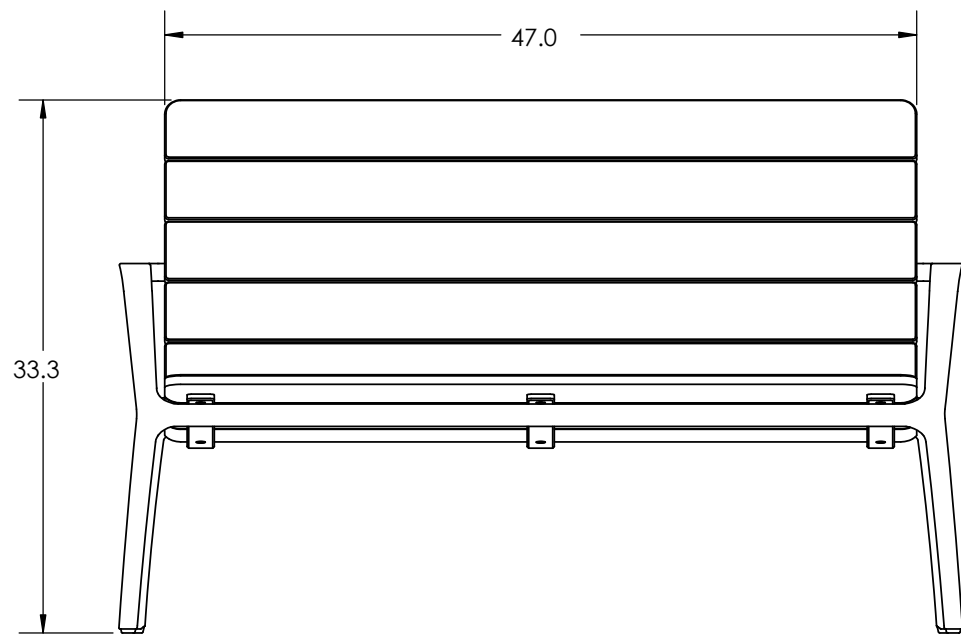
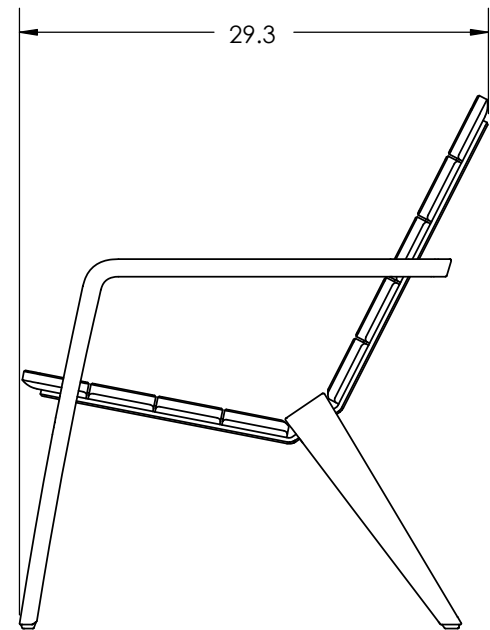


TOP VIEW



FRONT VIEW



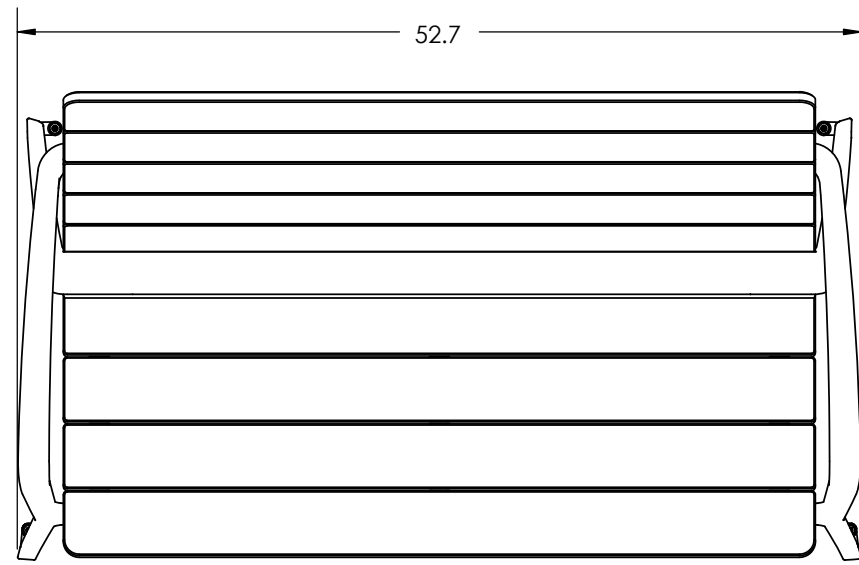
SIDE VIEW

<b>UNLESS OTHERWISE SPECIFIED:</b> 1. PRIMARY DIM. ARE IN INCHES & SECONDARY [DIM] IN MM 2. TOLERANCES FRACTIONAL: ±1/32; ANGULAR/BEND: ±1° TWO PLACE DECIMAL ±.030 THREE PLACE DECIMAL ±.020 3. REMOVE ALL BURRS AND SHARP EDGES				30 Pine Street, Pittsburgh, PA 15223 Tel (412) 781-9003 Fax (412) 781-7840									
THIRD ANGLE PROJECTION		NAME	DATE	<b>VAYA BENCH          FREESTANDING          SBVYA-W-FRS</b>									
MATERIAL: SEE DATA SHEET		DWN	RTS 02/09/18										
FINISH: SEE DATA SHEET		DO NOT SCALE DRAWING		<table border="1"> <tr> <td>SIZE</td> <td>DWG. NO.</td> <td>REV</td> <td>SHEET</td> </tr> <tr> <td>B</td> <td>SBVYA-W-FRS</td> <td>0</td> <td>1 OF 1</td> </tr> </table>		SIZE	DWG. NO.	REV	SHEET	B	SBVYA-W-FRS	0	1 OF 1
SIZE	DWG. NO.	REV	SHEET										
B	SBVYA-W-FRS	0	1 OF 1										
WEIGHT: SEE DATA SHEET		<b>PROPRIETARY AND CONFIDENTIAL</b> THE INFORMATION CONTAINED IN THIS DRAWING IS THE SOLE PROPERTY OF FORMS + SURFACES. ANY REPRODUCTION IN PART OR AS A WHOLE WITHOUT WRITTEN PERMISSION IS PROHIBITED.											
SCALE: NOT TO SCALE													

8 7 6 5 4 3 2 1

D

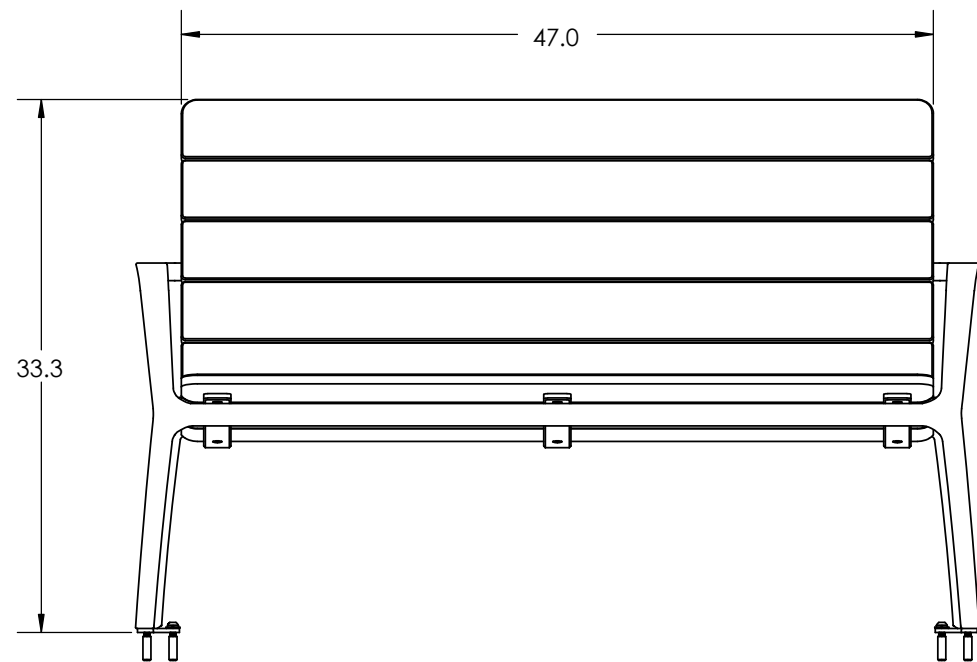
D



TOP VIEW

C

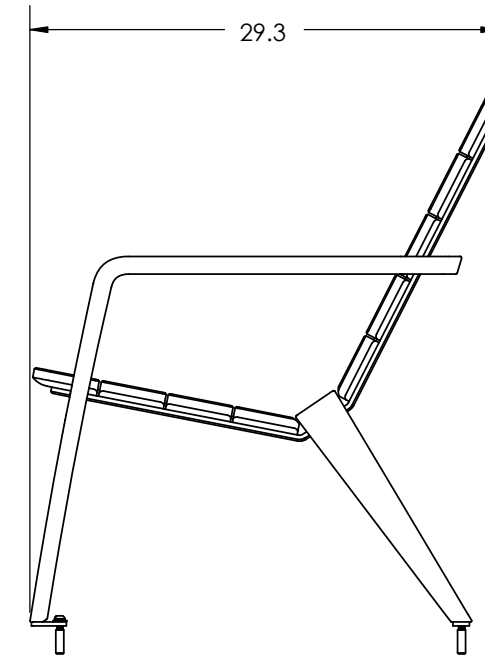
C



FRONT VIEW

B

B



SIDE VIEW

A

A

<b>UNLESS OTHERWISE SPECIFIED:</b> 1. PRIMARY DIM. ARE IN INCHES & SECONDARY [DIM] IN MM 2. TOLERANCES FRACTIONAL: ±1/32; ANGULAR/BEND: ±1° TWO PLACE DECIMAL ±.030 THREE PLACE DECIMAL ±.020 3. REMOVE ALL BURRS AND SHARP EDGES			30 Pine Street, Pittsburgh, PA 15223 Tel (412) 781-9003 Fax (412) 781-7840			
	DWN CHK	NAME RTS	DATE 02/09/18	<b>VAYA BENCH          SURFACE MOUNT          SBVYA-W-SFM</b>		
MATERIAL: SEE DATA SHEET FINISH: SEE DATA SHEET WEIGHT: SEE DATA SHEET SCALE: NOT TO SCALE	<b>PROPRIETARY AND CONFIDENTIAL</b> <small>THE INFORMATION CONTAINED IN THIS DRAWING IS THE SOLE PROPERTY OF FORMS + SURFACES. ANY REPRODUCTION IN PART OR AS A WHOLE WITHOUT WRITTEN PERMISSION IS PROHIBITED.</small>		SIZE B	DWG. NO. SBVYA-W-SFM	REV 0	SHEET 1 OF 1

8 7 6 5 4 3 2 1