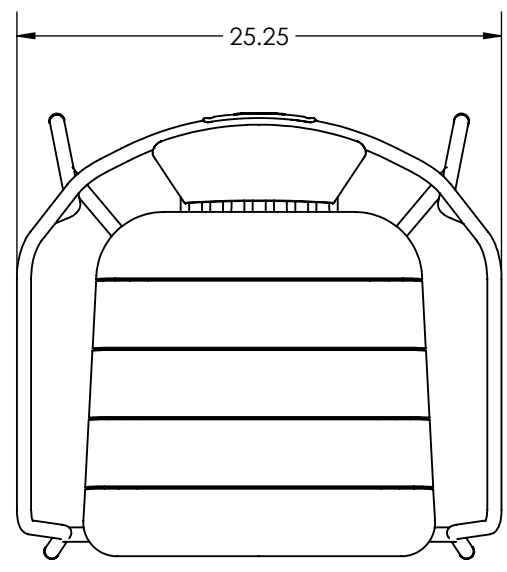
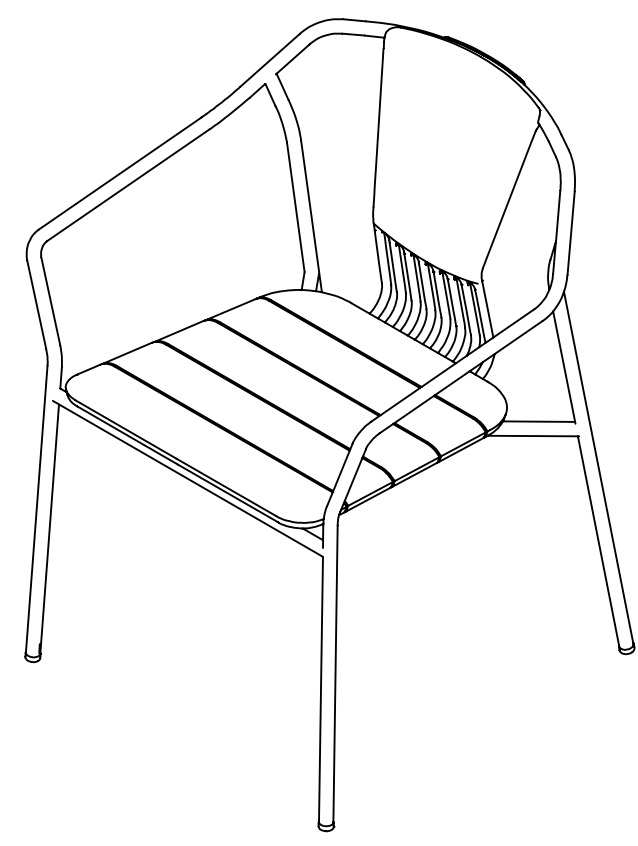


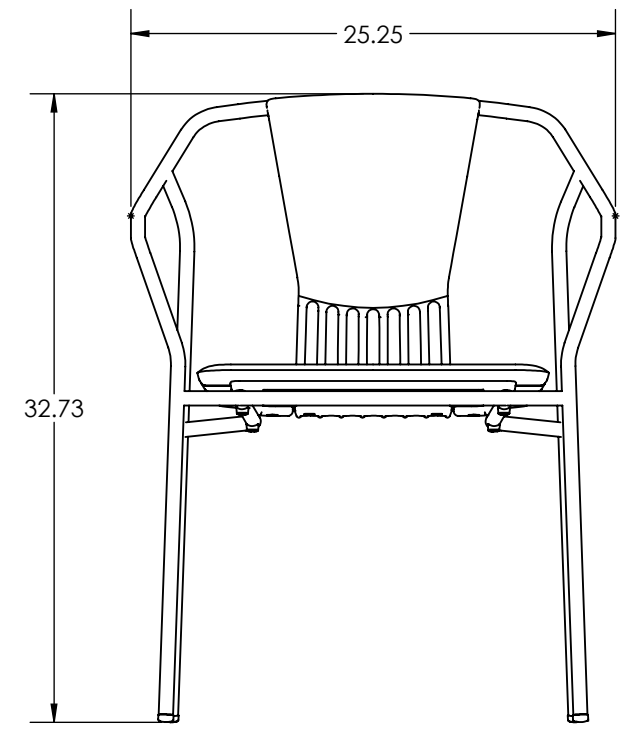
8 7 6 5 4 3 2 1



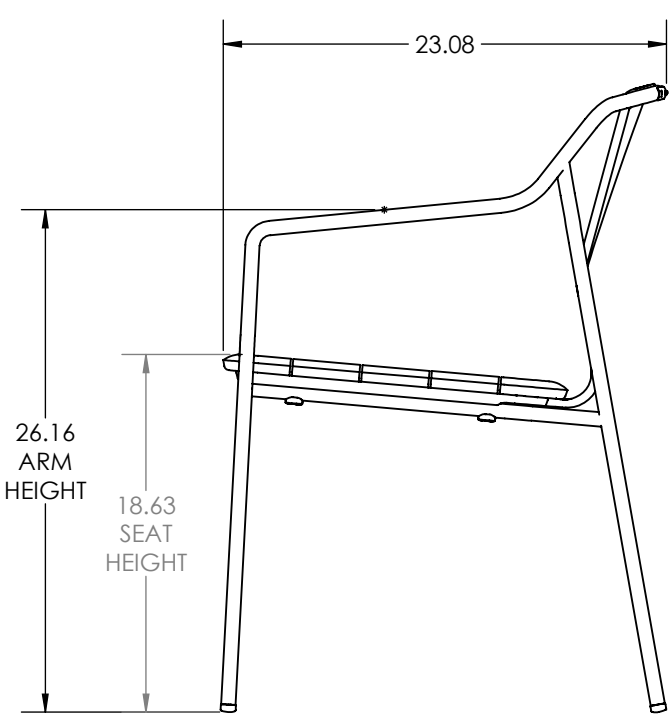
TOP VIEW



ISO VIEW



FRONT VIEW




SIDE VIEW

CUSTOMER APPROVAL:

X _____

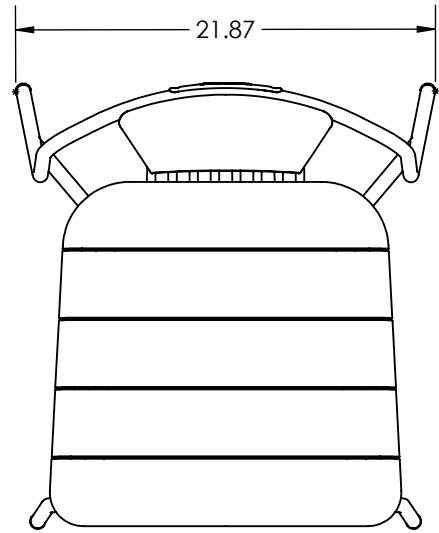
DATE:

X _____

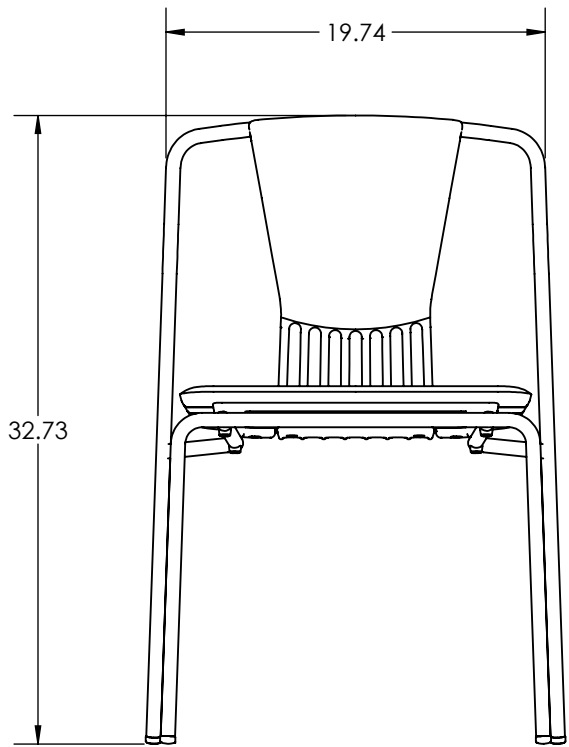
UNLESS OTHERWISE SPECIFIED: 1. PRIMARY DIM. ARE IN INCHES & SECONDARY [DIM] IN MM 2. TOLERANCES FRACTIONAL: ±1/32; ANGULAR/BEND: ±1° TWO PLACE DECIMAL ±.030 THREE PLACE DECIMAL ±.020 3. REMOVE ALL BURRS AND SHARP EDGES		 30 Pine Street, Pittsburgh, PA 15223 Tel (412) 781-9003 Fax (412) 781-7840			
THIRD ANGLE PROJECTION					
MATERIAL: -	DO NOT SCALE DRAWING	DESCRIPTION: FACTOR CHAIR			
FINISH: -	PROPRIETARY AND CONFIDENTIAL	SCFAC, ARM, WD			
WEIGHT: 19.69 LBS.	THE INFORMATION CONTAINED IN THIS DRAWING IS THE SOLE PROPERTY OF FORMS + SURFACES. ANY REPRODUCTION IN PART OR AS A WHOLE WITHOUT WRITTEN PERMISSION IS PROHIBITED.	SIZE B	DWG. NO. SCFAC-ARM-WD-CS	REV ?	SHEET 1 OF 1
SCALE: NOT TO SCALE					

8 7 6 5 4 3 2 1

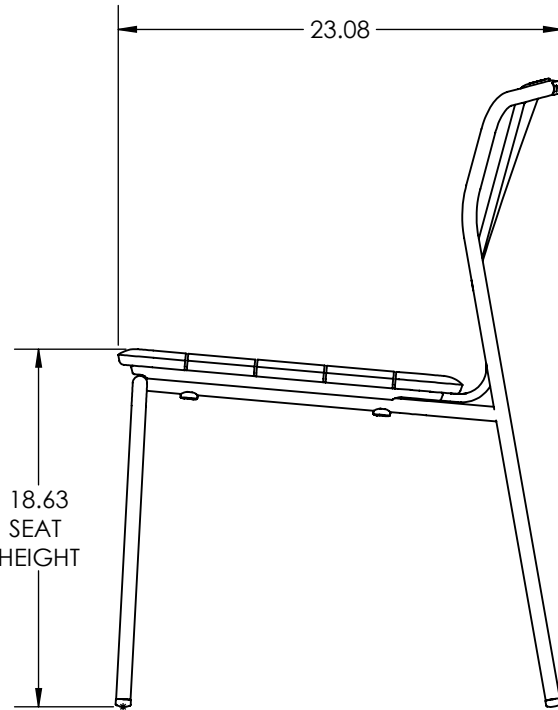
8 7 6 5 4 3 2 1



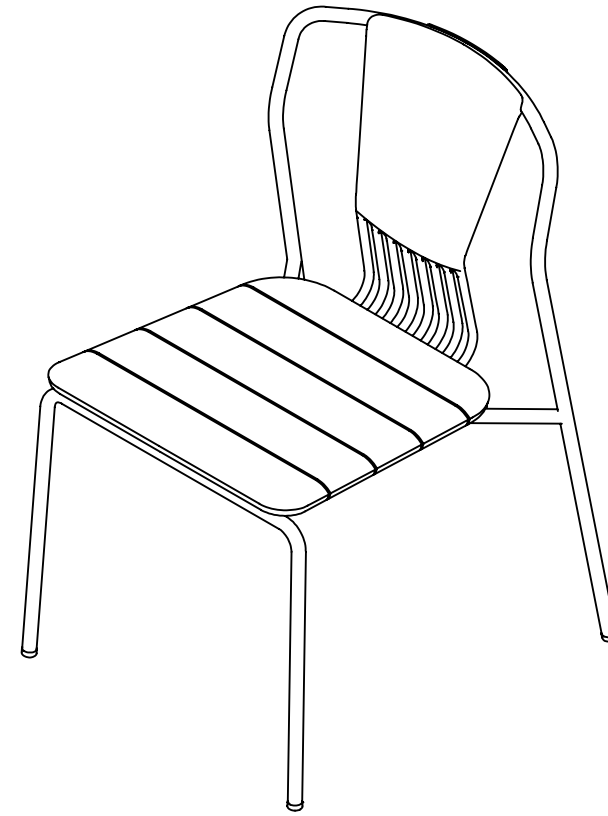
TOP VIEW



FRONT VIEW



SIDE VIEW




ISO VIEW

CUSTOMER APPROVAL:

X _____

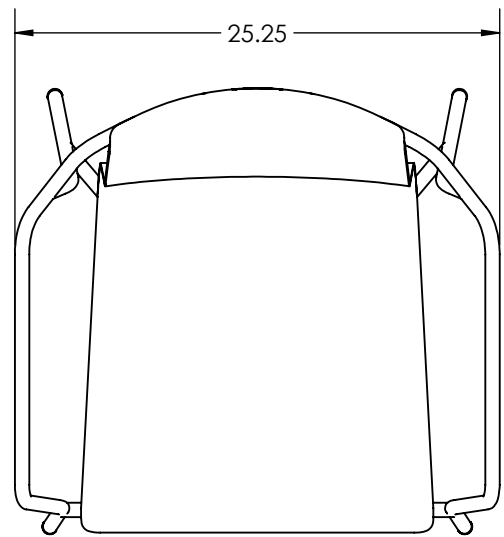
DATE:

X _____

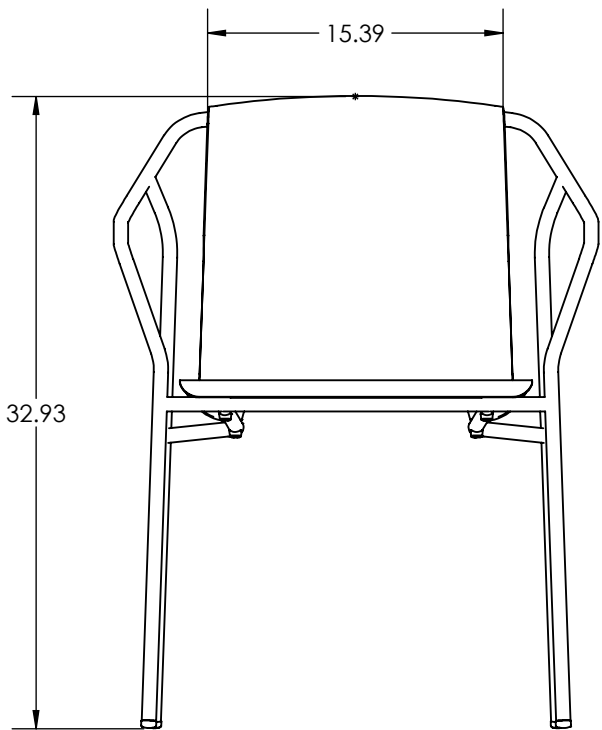
UNLESS OTHERWISE SPECIFIED: 1. PRIMARY DIM. ARE IN INCHES & SECONDARY [DIM] IN MM 2. TOLERANCES FRACTIONAL: ±1/32; ANGULAR/BEND: ±1° TWO PLACE DECIMAL ±.030 THREE PLACE DECIMAL ±.020 3. REMOVE ALL BURRS AND SHARP EDGES		 30 Pine Street, Pittsburgh, PA 15223 Tel (412) 781-9003 Fax (412) 781-7840			
THIRD ANGLE PROJECTION					
MATERIAL: -	DO NOT SCALE DRAWING	DESCRIPTION: FACTOR CHAIR			
FINISH: -	PROPRIETARY AND CONFIDENTIAL	SCFAC,NARM,WD			
WEIGHT: 17.72 LBS.	THE INFORMATION CONTAINED IN THIS DRAWING IS THE SOLE PROPERTY OF FORMS + SURFACES. ANY REPRODUCTION IN PART OR AS A WHOLE WITHOUT WRITTEN PERMISSION IS PROHIBITED.	SIZE B	DWG. NO. SCFAC-NARM-WD-CS	REV ?	SHEET 1 OF 1
SCALE: NOT TO SCALE					

8 7 6 5 4 3 2 1

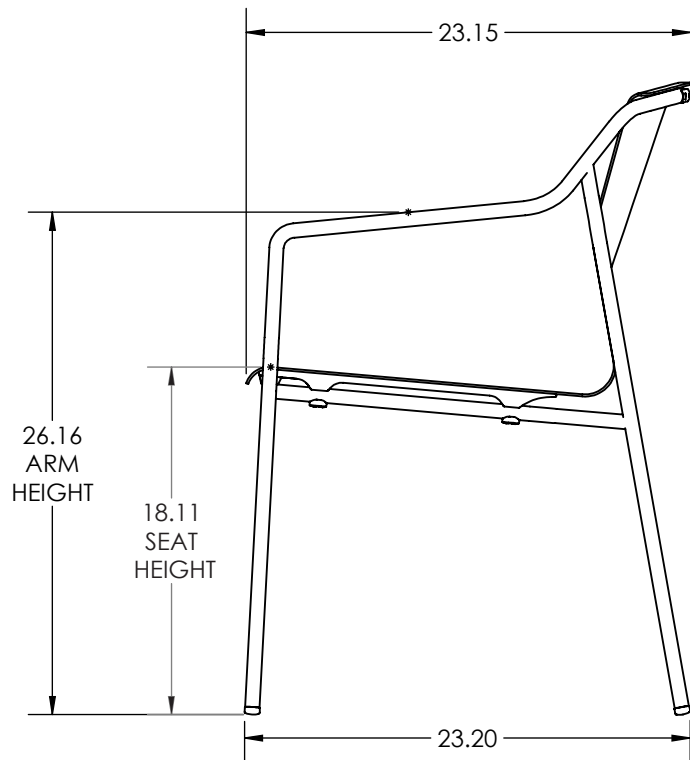
8 7 6 5 4 3 2 1



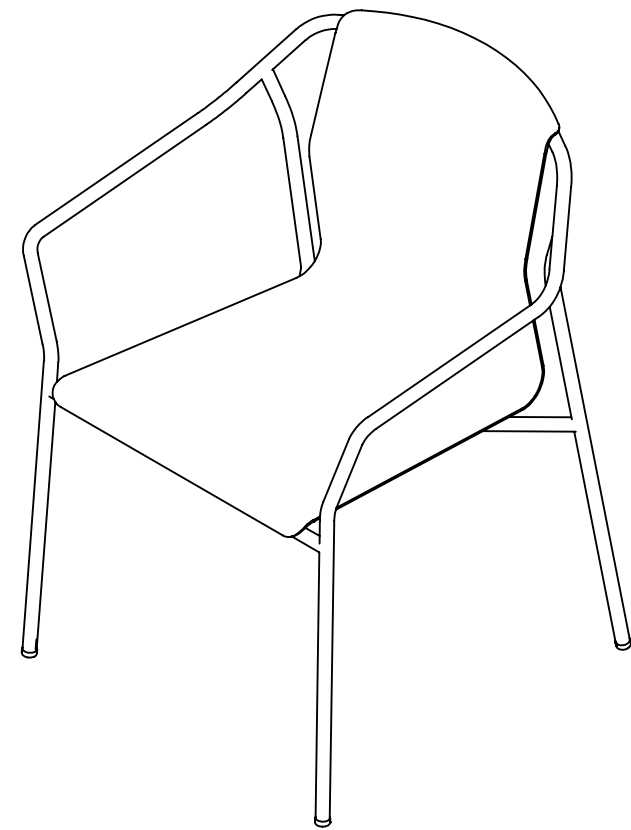
TOP VIEW



FRONT VIEW



SIDE VIEW



ISO VIEW

D
C
B
A


D
C
B
A

CUSTOMER APPROVAL:

X _____

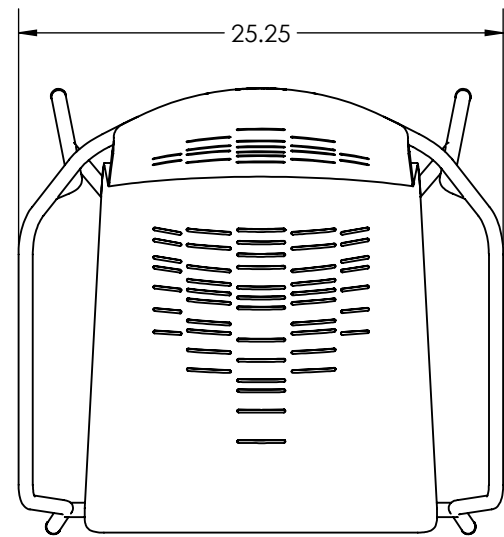
DATE:

X _____

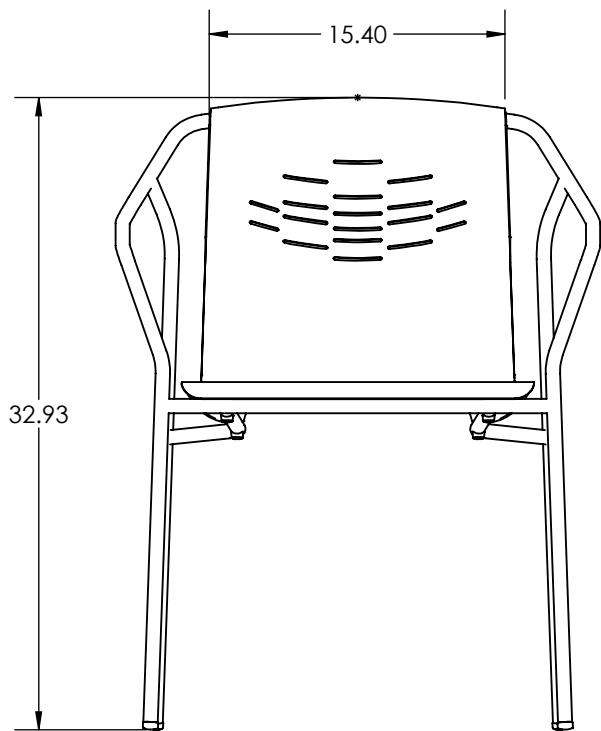
UNLESS OTHERWISE SPECIFIED: 1. PRIMARY DIM. ARE IN INCHES & SECONDARY [DIM] IN MM 2. TOLERANCES FRACTIONAL: ±1/32; ANGULAR/BEND: ±1° TWO PLACE DECIMAL ±.030 THREE PLACE DECIMAL ±.020 3. REMOVE ALL BURRS AND SHARP EDGES		 30 Pine Street, Pittsburgh, PA 15223 Tel (412) 781-9003 Fax (412) 781-7840			
THIRD ANGLE PROJECTION					
MATERIAL: SEE BOM	DO NOT SCALE DRAWING	NAME	DATE	DESCRIPTION: FACTOR CHAIR	
FINISH: SEE BOM	PROPRIETARY AND CONFIDENTIAL	DWN	STF		
WEIGHT: 18.81 LBS.	THE INFORMATION CONTAINED IN THIS DRAWING IS THE SOLE PROPERTY OF FORMS + SURFACES. ANY REPRODUCTION IN PART OR AS A WHOLE WITHOUT WRITTEN PERMISSION IS PROHIBITED.	CHK	1/20/20	SCFAC,ARM,AL,NPTN	
SCALE: NOT TO SCALE		SIZE	DWG. NO.	REV	SHEET
		B	SCFAC-ARM-A-CS	?	1 OF 1

8 7 6 5 4 3 2 1

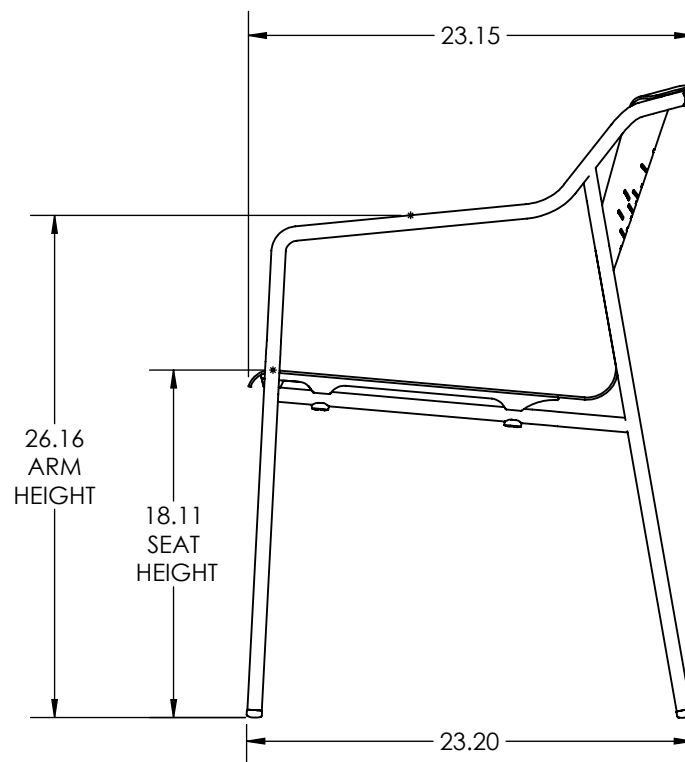
8 7 6 5 4 3 2 1



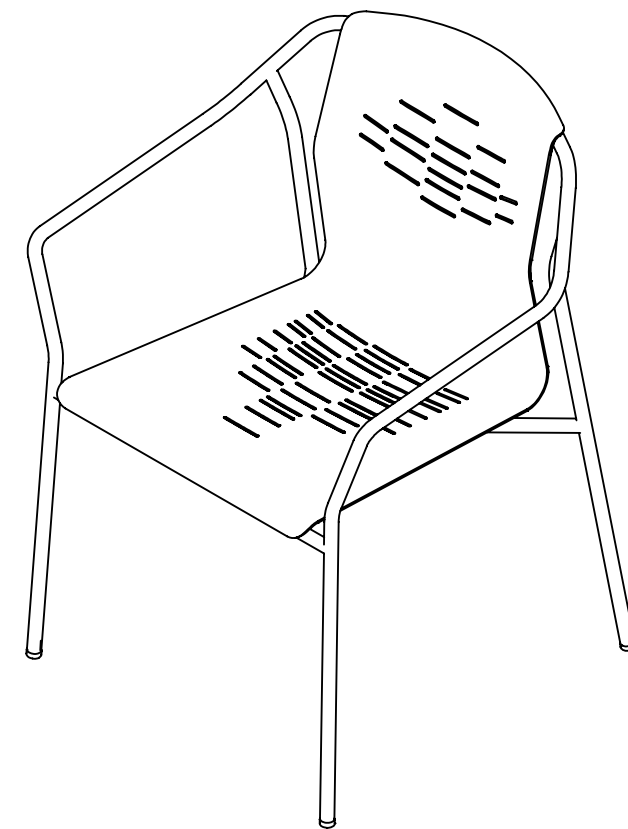
TOP VIEW



FRONT VIEW



SIDE VIEW



ISO VIEW

D
C
B
A

D
C
B
A

CUSTOMER APPROVAL:

X _____

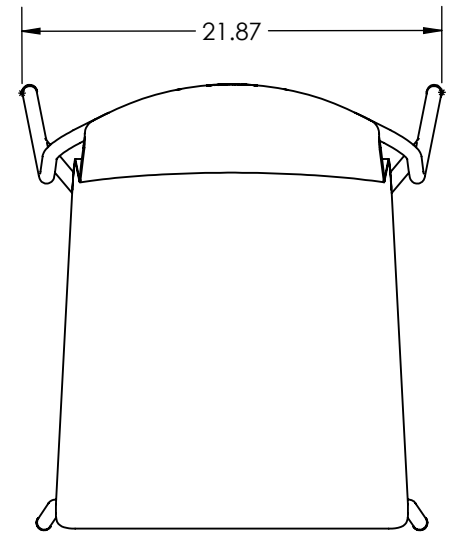
DATE:

X _____

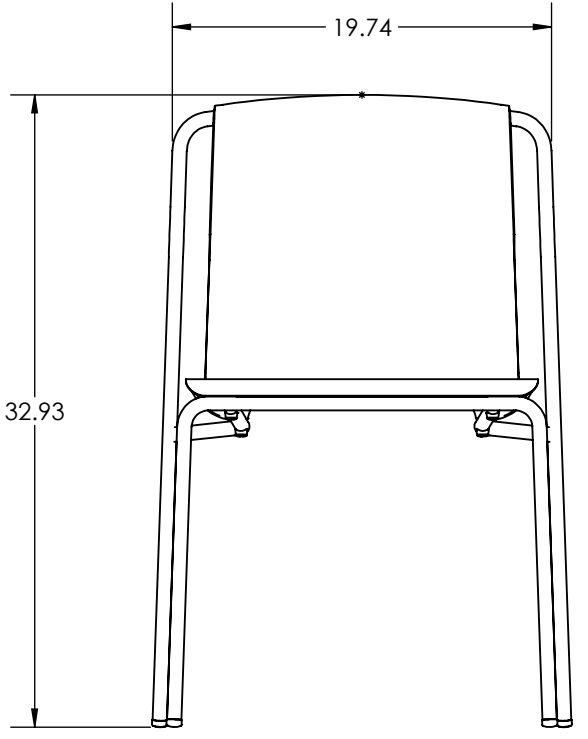
UNLESS OTHERWISE SPECIFIED: 1. PRIMARY DIM. ARE IN INCHES & SECONDARY [DIM] IN MM 2. TOLERANCES FRACTIONAL: ±1/32; ANGULAR/BEND: ±1° TWO PLACE DECIMAL ±.030 THREE PLACE DECIMAL ±.020 3. REMOVE ALL BURRS AND SHARP EDGES		 30 Pine Street, Pittsburgh, PA 15223 Tel (412) 781-9003 Fax (412) 781-7840										
THIRD ANGLE PROJECTION												
MATERIAL: SEE BOM		NAME	DATE	DESCRIPTION: FACTOR DINING CHAIR SCFAC,ARM,AL,PERF								
FINISH: SEE BOM		DWN	STF									
WEIGHT: 18.57		9/16/20		<table border="1"> <tr> <td>SIZE</td> <td>DWG. NO.</td> <td>REV</td> <td>SHEET</td> </tr> <tr> <td>B</td> <td>SCFAC-ARM-PERF-CS</td> <td>0</td> <td>1 OF 1</td> </tr> </table>	SIZE	DWG. NO.	REV	SHEET	B	SCFAC-ARM-PERF-CS	0	1 OF 1
SIZE	DWG. NO.	REV	SHEET									
B	SCFAC-ARM-PERF-CS	0	1 OF 1									
SCALE: NOT TO SCALE		DO NOT SCALE DRAWING										
PROPRIETARY AND CONFIDENTIAL THE INFORMATION CONTAINED IN THIS DRAWING IS THE SOLE PROPERTY OF FORMS + SURFACES. ANY REPRODUCTION IN PART OR AS A WHOLE WITHOUT WRITTEN PERMISSION IS PROHIBITED.												

8 7 6 5 4 3 2 1

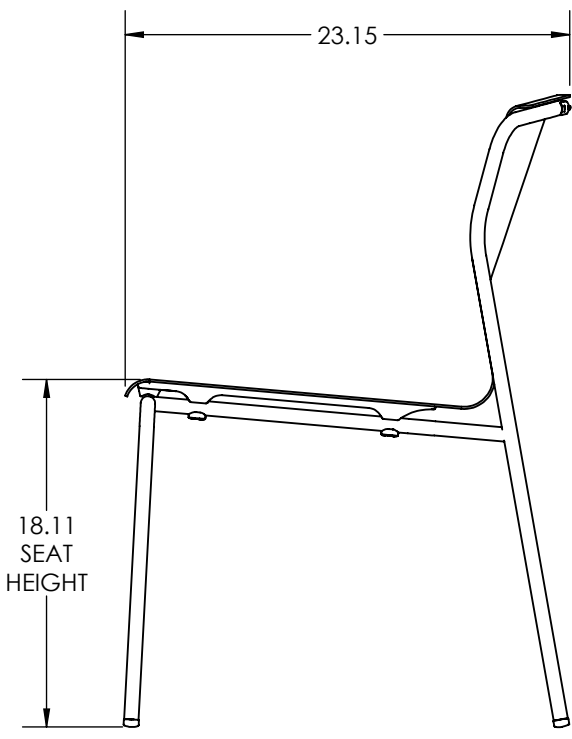
8 7 6 5 4 3 2 1



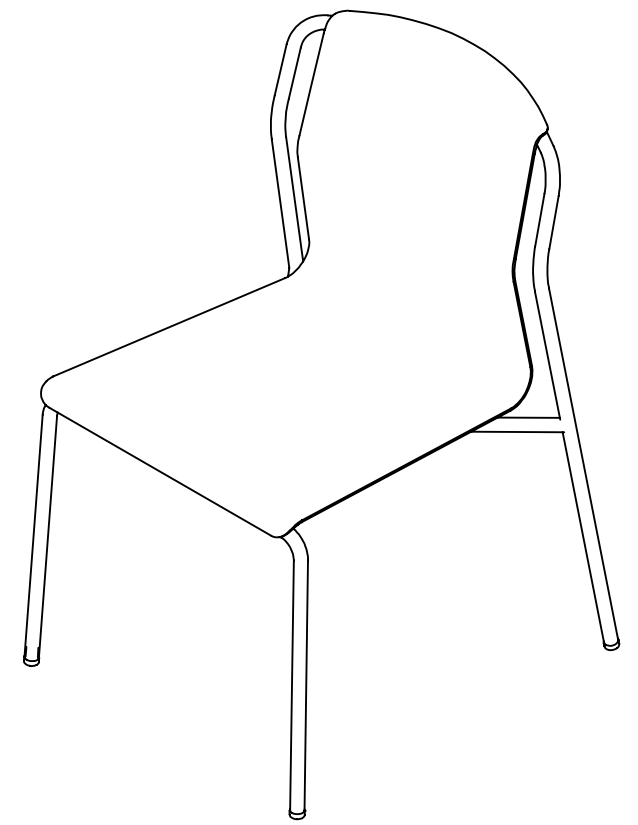
TOP VIEW



FRONT VIEW



SIDE VIEW



ISO VIEW

D
C
B
A


D
C
B
A

CUSTOMER APPROVAL:

X _____

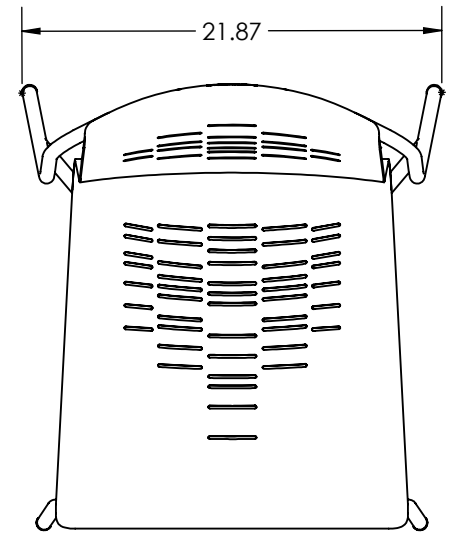
DATE:

X _____

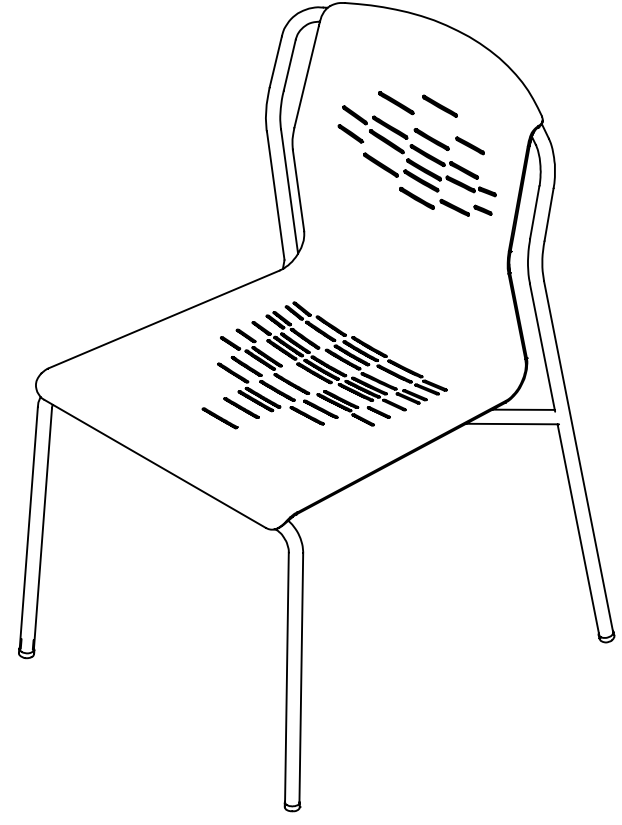
UNLESS OTHERWISE SPECIFIED: 1. PRIMARY DIM. ARE IN INCHES & SECONDARY [DIM] IN MM 2. TOLERANCES FRACTIONAL: ±1/32; ANGULAR/BEND: ±1° TWO PLACE DECIMAL ±.030 THREE PLACE DECIMAL ±.020 3. REMOVE ALL BURRS AND SHARP EDGES		 30 Pine Street, Pittsburgh, PA 15223 Tel (412) 781-9003 Fax (412) 781-7840					
THIRD ANGLE PROJECTION							
MATERIAL: SEE BOM	DO NOT SCALE DRAWING	NAME	DATE	DESCRIPTION: FACTOR CHAIR SCFAC,NARM,AL			
FINISH: SEE BOM	PROPRIETARY AND CONFIDENTIAL	DWN	STF				
WEIGHT: 16.83 LBS.	THE INFORMATION CONTAINED IN THIS DRAWING IS THE SOLE PROPERTY OF FORMS + SURFACES. ANY REPRODUCTION IN PART OR AS A WHOLE WITHOUT WRITTEN PERMISSION IS PROHIBITED.	CHK	1/20/20	SIZE			
SCALE: NOT TO SCALE		B	DWG. NO.	REV	SHEET		
				B	SCFAC-CAL-CS	?	1 OF 1

8 7 6 5 4 3 2 1

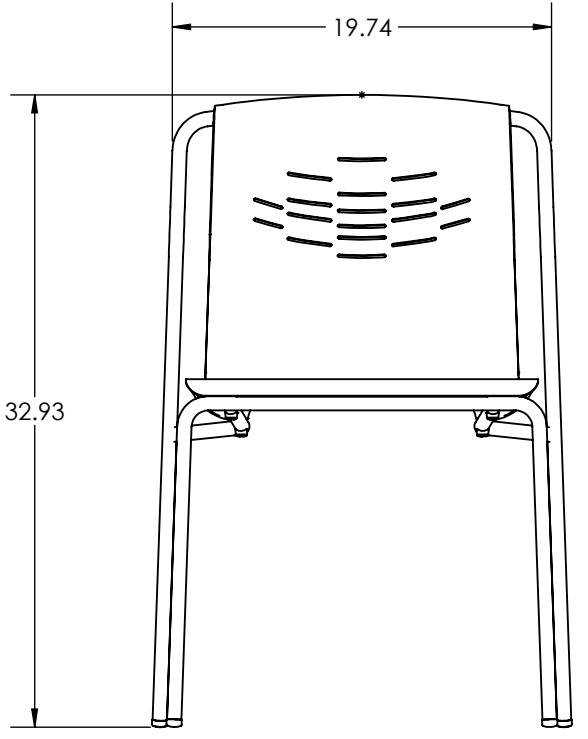
8 7 6 5 4 3 2 1



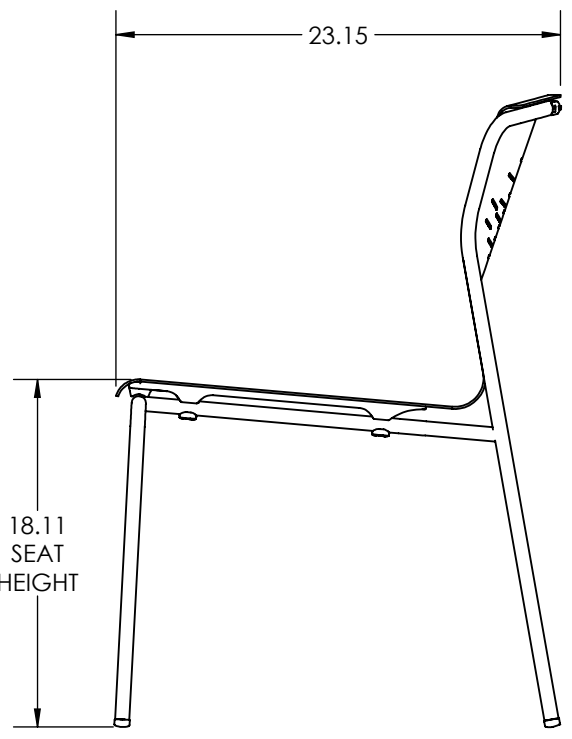
TOP VIEW



ISO VIEW



FRONT VIEW




SIDE VIEW

CUSTOMER APPROVAL:

X _____

DATE:

X _____

UNLESS OTHERWISE SPECIFIED: 1. PRIMARY DIM. ARE IN INCHES & SECONDARY [DIM] IN MM 2. TOLERANCES FRACTIONAL: ±1/32; ANGULAR/BEND: ±1° TWO PLACE DECIMAL ±.030 THREE PLACE DECIMAL ±.020 3. REMOVE ALL BURRS AND SHARP EDGES		 30 Pine Street, Pittsburgh, PA 15223 Tel (412) 781-9003 Fax (412) 781-7840					
THIRD ANGLE PROJECTION				NAME	DATE		
MATERIAL: SEE BOM		DWN	STF	9/16/20	DESCRIPTION: FACTOR DINING CHAIR SCFAC,NARM,AL,PERF		
FINISH: SEE BOM		DO NOT SCALE DRAWING		SIZE		DWG. NO.	REV
WEIGHT: 16.60		PROPRIETARY AND CONFIDENTIAL THE INFORMATION CONTAINED IN THIS DRAWING IS THE SOLE PROPERTY OF FORMS + SURFACES. ANY REPRODUCTION IN PART OR AS A WHOLE WITHOUT WRITTEN PERMISSION IS PROHIBITED.		B	SCFAC-NARM-PERF-CS	0	1 OF 1
SCALE: NOT TO SCALE							

8 7 6 5 4 3 2 1