

8 7 6 5 4 3 2 1

D

C

B

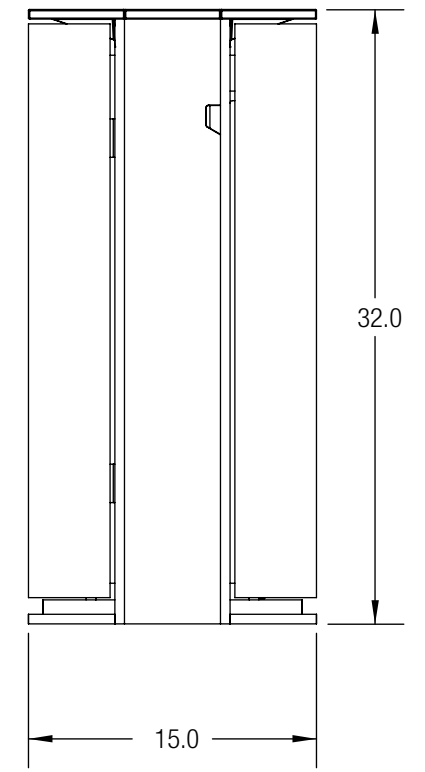
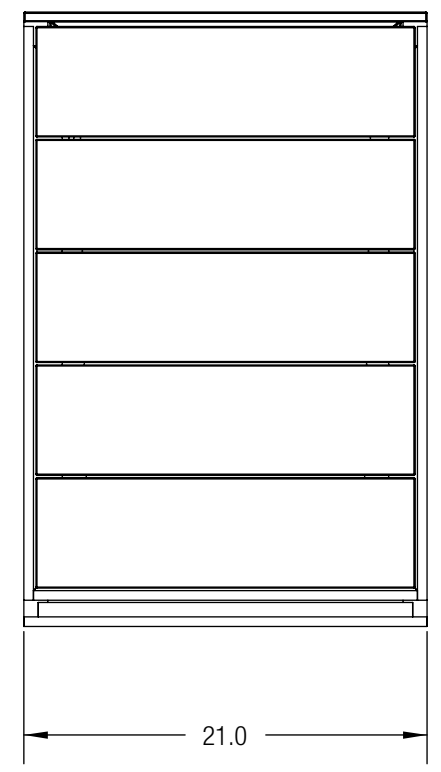
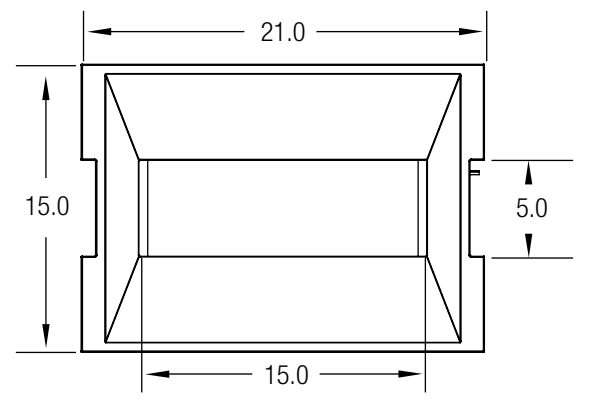
A

D

C

B

A



CUSTOMER APPROVAL:

X _____

DATE:

X _____

UNLESS OTHERWISE SPECIFIED,
DIMENSIONS ARE IN INCHES
TOLERANCES (UNLESS OTHERWISE
SPECIFIED):
FRACTIONAL: ± 1/32
ANGULAR/BEND: ± 1°*
TWO PLACE DECIMAL ± .030
THREE PLACE DECIMAL ± .020
MATERIAL: SEE DATA SHEET
FINISH: SEE DATA SHEET
WEIGHT: 92 LBS
SOURCE: MDW
SCALE: N.T.S.

FORMS+SURFACES® 30 Pine Street, Pittsburgh, PA 15223
Tel (412) 781-9003 Fax (412) 781-7840

NAME	DATE
DWN DW	9/14/2012

**APEX RECEPTACLE, 24 GALLON,
CUMARU, SINGLE-STREAM,
FREESTANDING**

SIZE	DWG. NO.	REV	SHEET
B	SLAPX 24J FS	0	1 OF 1

8 7 6 5 4 3 2 1

PRINTED: 9/17/2012

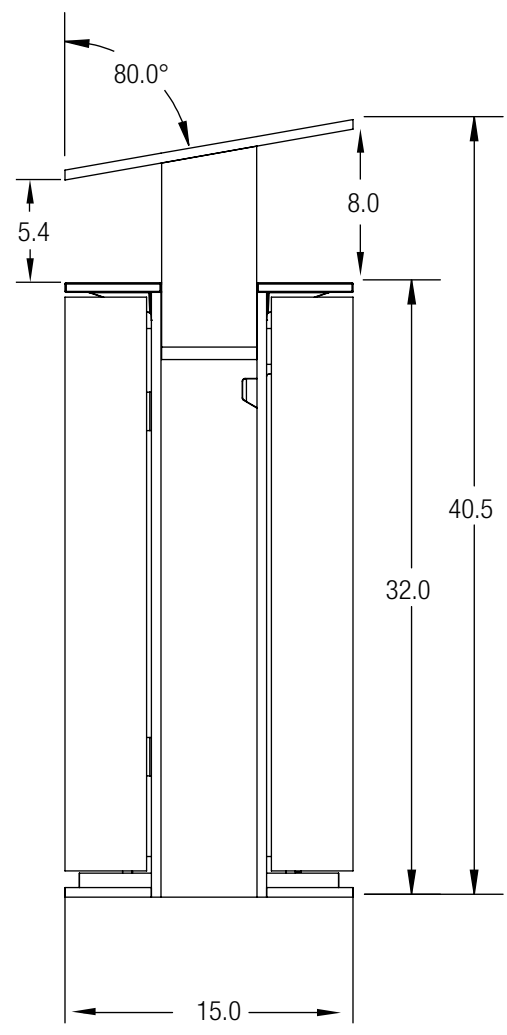
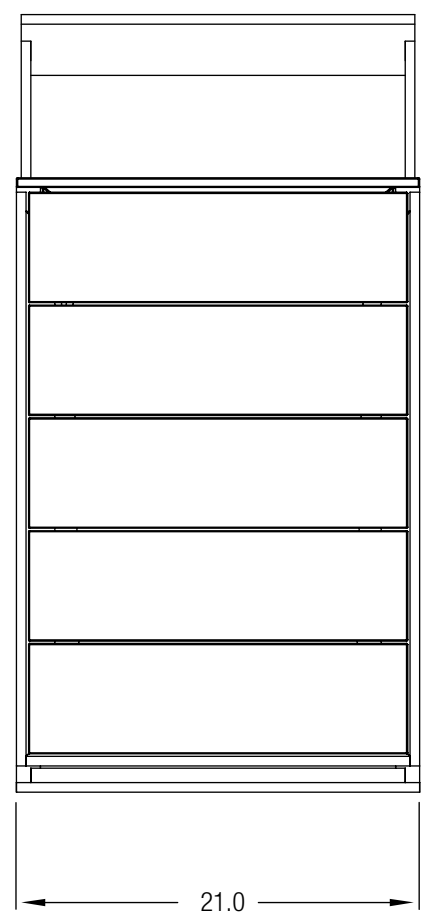
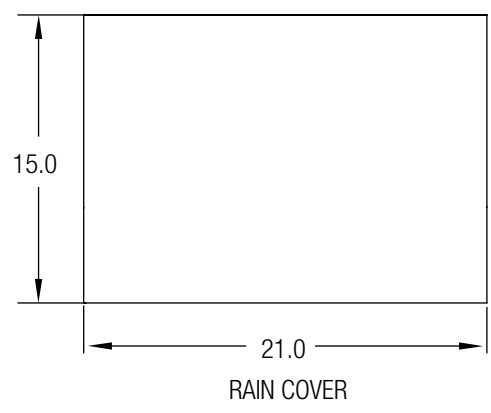
8 7 6 5 4 3 2 1

D

C

B

A



D

C

B

A

CUSTOMER APPROVAL:
 X _____
 DATE:
 X _____

UNLESS OTHERWISE SPECIFIED, DIMENSIONS ARE IN INCHES

FORMS+SURFACES® 30 Pine Street, Pittsburgh, PA 15223
 Tel (412) 781-9003 Fax (412) 781-7840

TOLERANCES (UNLESS OTHERWISE SPECIFIED):		NAME	DATE
FRACTIONAL:	± 1/32	DWN	DW
ANGULAR/BEND:	± 1°		9/14/2012
TWO PLACE DECIMAL:	± .030		
THREE PLACE DECIMAL:	± .020		
MATERIAL: SEE DATA SHEET		DO NOT SCALE DRAWING	
FINISH: SEE DATA SHEET		PROPRIETARY AND CONFIDENTIAL	
WEIGHT: 114 LBS		THE INFORMATION CONTAINED IN THIS DRAWING IS THE SOLE PROPERTY OF FORMS + SURFACES. ANY REPRODUCTION IN PART OR AS A WHOLE WITHOUT WRITTEN PERMISSION IS PROHIBITED.	
SOURCE: MDW		SIZE	DWG. NO.
SCALE: N.T.S.		B	SLAPX 24J RC FS
		REV	SHEET
		0	1 OF 1

APEX RECEPTACLE (WITH RAIN COVER), 24 GALLON, CUMARU, SINGLE-STREAM, FREESTANDING

SIZE B DWG. NO. SLAPX 24J RC FS REV 0 SHEET 1 OF 1

8 7 6 5 4 3 2 1

PRINTED: 9/17/2012

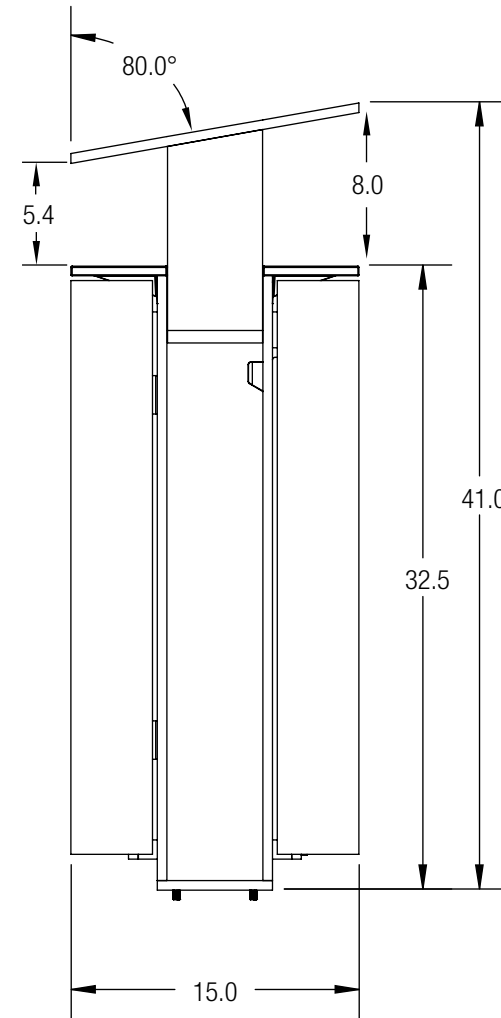
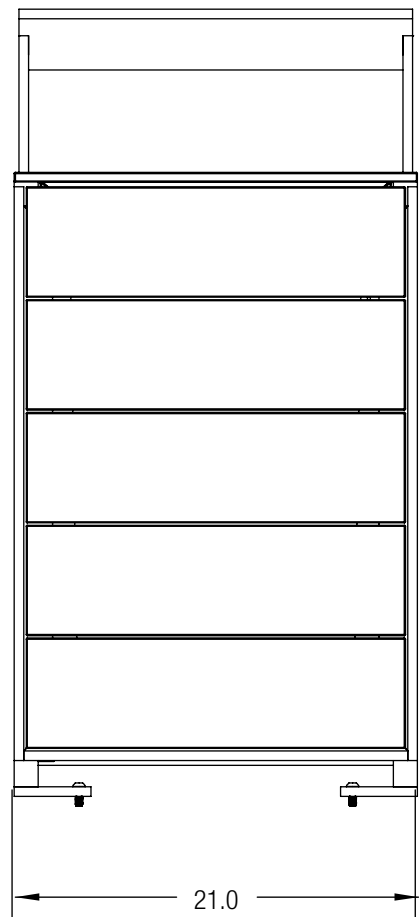
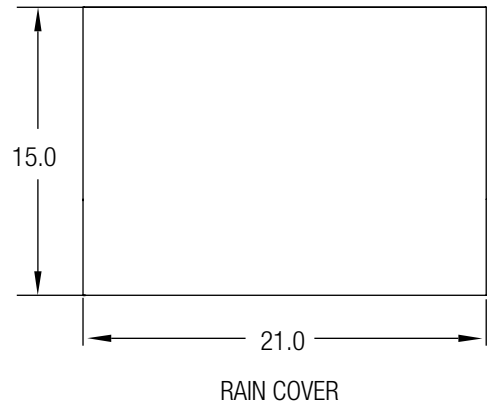
8 7 6 5 4 3 2 1

D

C

B

A



D

C

B

A

CUSTOMER APPROVAL:
 X _____
 DATE:
 X _____

UNLESS OTHERWISE SPECIFIED, DIMENSIONS ARE IN INCHES

FORMS+SURFACES® 30 Pine Street, Pittsburgh, PA 15223
 Tel (412) 781-9003 Fax (412) 781-7840

TOLERANCES (UNLESS OTHERWISE SPECIFIED):
 FRACTIONAL: ±1/32
 ANGULAR/BEND: ±1°
 TWO PLACE DECIMAL ±.030
 THREE PLACE DECIMAL ±.020

MATERIAL: SEE DATA SHEET

FINISH: SEE DATA SHEET

WEIGHT: 114 LBS

SOURCE: MDW

SCALE: N.T.S.

NAME	DATE
DWN DW	9/14/2012

DO NOT SCALE DRAWING

PROPRIETARY AND CONFIDENTIAL

THE INFORMATION CONTAINED IN THIS DRAWING IS THE SOLE PROPERTY OF FORMS + SURFACES. ANY REPRODUCTION IN PART OR AS A WHOLE WITHOUT WRITTEN PERMISSION IS PROHIBITED.

SIZE	DWG. NO.	REV	SHEET
B	SLAPX 24J RCSCM	0	1 OF 1

APEX RECEPTACLE (WITH RAIN COVER), 24 GALLON, CUMARU, SINGLE-STREAM, SURFACE MOUNT

8 7 6 5 4 3 2 1

PRINTED: 9/17/2012

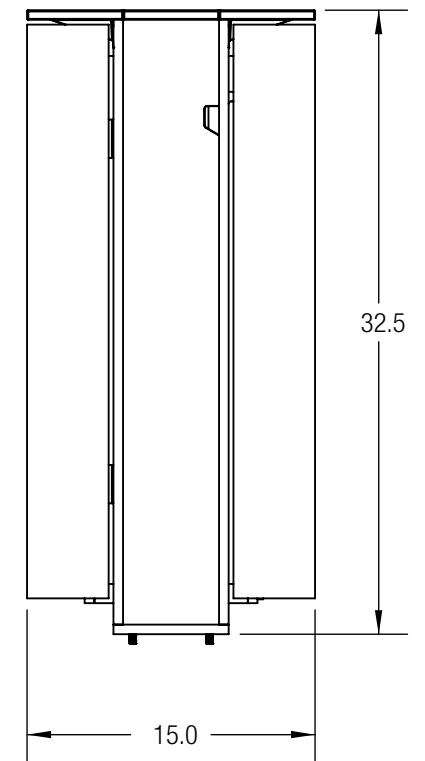
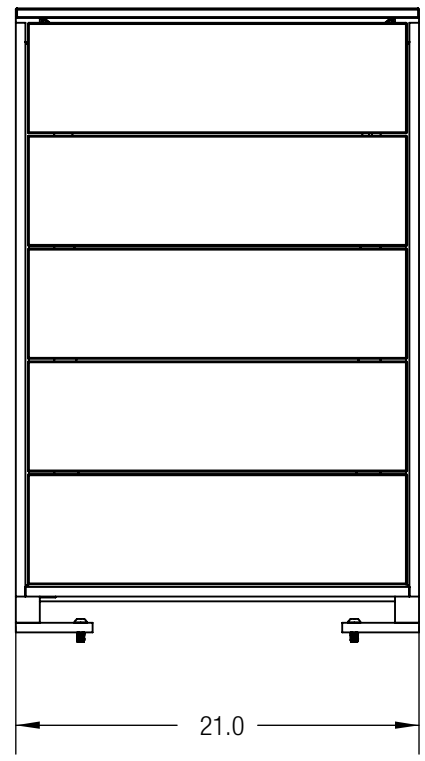
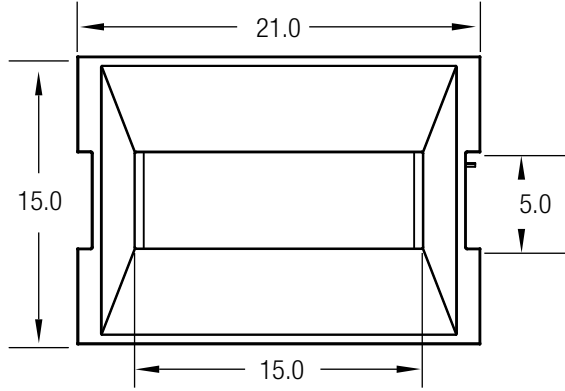
8 7 6 5 4 3 2 1

D

C

B

A



D

C

B

A

CUSTOMER APPROVAL:

X _____

DATE:

X _____

UNLESS OTHERWISE SPECIFIED, DIMENSIONS ARE IN INCHES		FORMS+SURFACES ® 30 Pine Street, Pittsburgh, PA 15223 Tel (412) 781-9003 Fax (412) 781-7840	
TOLERANCES (UNLESS OTHERWISE SPECIFIED):		NAME	DATE
FRACTIONAL: ±1/32		DWN	DW
ANGULAR/BEND: ±1°*			9/14/2012
TWO PLACE DECIMAL ±.030		APEX RECEPTACLE, 24 GALLON, CUMARU, SINGLE-STREAM, SURFACE MOUNT	
THREE PLACE DECIMAL ±.020			
MATERIAL: SEE DATA SHEET		DO NOT SCALE DRAWING	
FINISH: SEE DATA SHEET		PROPRIETARY AND CONFIDENTIAL	
WEIGHT: 92 LBS		THE INFORMATION CONTAINED IN THIS DRAWING IS THE SOLE PROPERTY OF FORMS + SURFACES. ANY REPRODUCTION IN PART OR AS A WHOLE WITHOUT WRITTEN PERMISSION IS PROHIBITED.	
SOURCE: MDW		SIZE	DWG. NO.
SCALE: N.T.S.		B	SLAPX 24J SM
		REV	SHEET
		0	1 OF 1

8 7 6 5 4 3 2 1

PRINTED: 9/17/2012

8 7 6 5 4 3 2 1

D

C

B

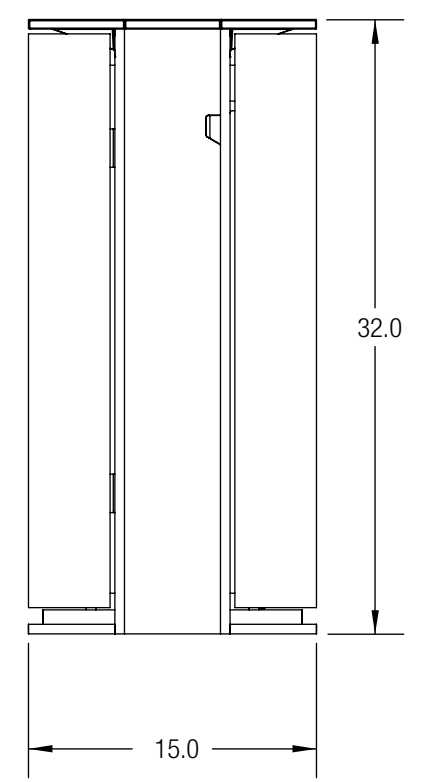
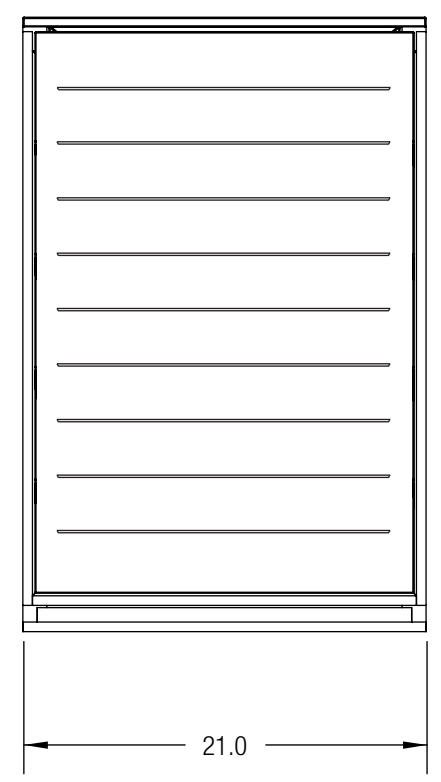
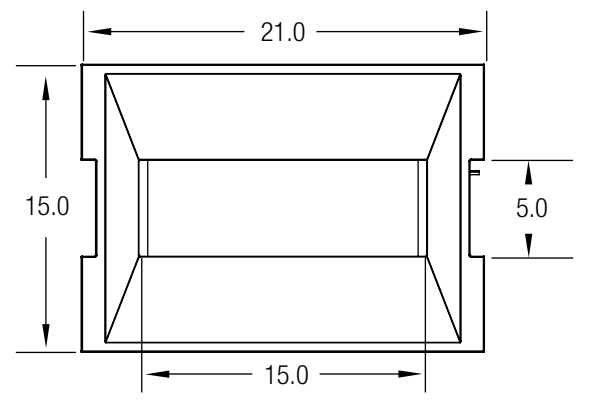
A

D

C

B

A



CUSTOMER APPROVAL:

X _____

DATE:

X _____

UNLESS OTHERWISE SPECIFIED,
DIMENSIONS ARE IN INCHES
TOLERANCES (UNLESS OTHERWISE
SPECIFIED):
FRACTIONAL: ± 1/32
ANGULAR/BEND: ± 1°
TWO PLACE DECIMAL ± .030
THREE PLACE DECIMAL ± .020
MATERIAL: SEE DATA SHEET
FINISH: SEE DATA SHEET
WEIGHT: 95 LBS
SOURCE: MDW
SCALE: N.T.S.

FORMS+SURFACES® 30 Pine Street, Pittsburgh, PA 15223
Tel (412) 781-9003 Fax (412) 781-7840

NAME	DATE
DWN DW	2/22/2013

**APEX RECEPTACLE, 24 GALLON,
STAINLESS STEEL, SINGLE-STREAM,
FREESTANDING**

SIZE	DWG. NO.	REV	SHEET
B	SLAPX 24S FS	0	1 OF 1

PRINTED: 9/17/2012

8 7 6 5 4 3 2 1

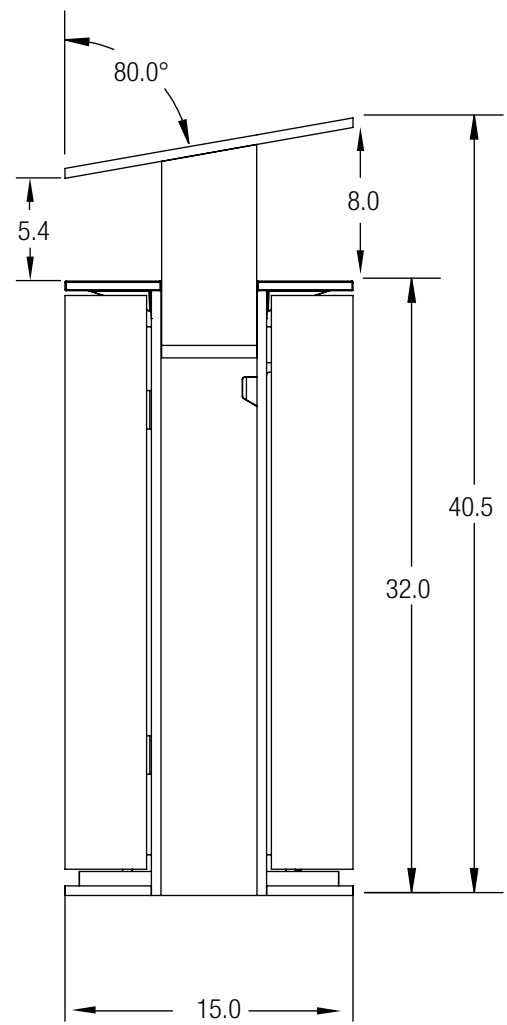
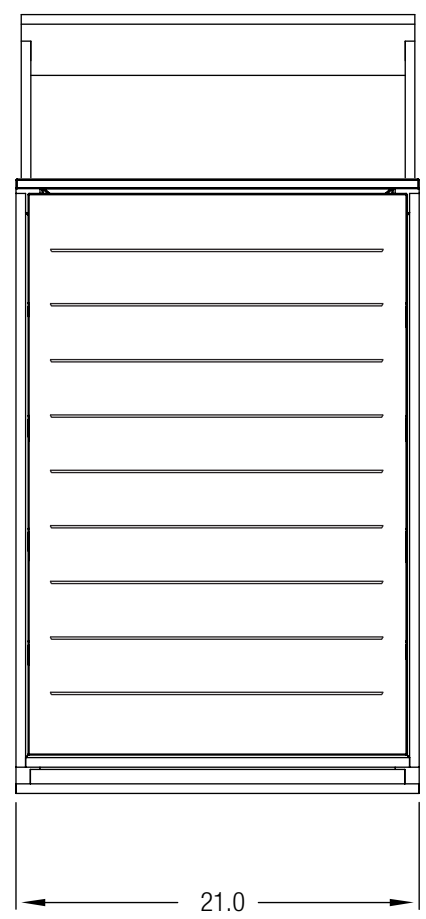
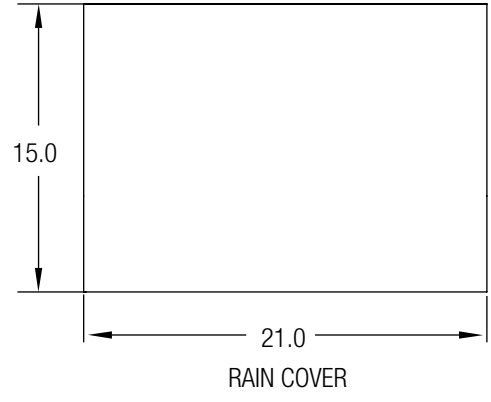
8 7 6 5 4 3 2 1

D

C

B

A



D

C

B

A

CUSTOMER APPROVAL:
 X _____
 DATE:
 X _____

UNLESS OTHERWISE SPECIFIED, DIMENSIONS ARE IN INCHES

TOLERANCES (UNLESS OTHERWISE SPECIFIED):
 FRACTIONAL: $\pm 1/32$
 ANGULAR/BEND: $\pm 1^\circ$
 TWO PLACE DECIMAL: $\pm .030$
 THREE PLACE DECIMAL: $\pm .020$

MATERIAL: SEE DATA SHEET

FINISH: SEE DATA SHEET

WEIGHT: 117 LBS

SOURCE: MDW

SCALE: N.T.S.

FORMS+SURFACES® 30 Pine Street, Pittsburgh, PA 15223
 Tel (412) 781-9003 Fax (412) 781-7840

NAME	DATE
DWN	DW 2/22/2013

DO NOT SCALE DRAWING

PROPRIETARY AND CONFIDENTIAL

THE INFORMATION CONTAINED IN THIS DRAWING IS THE SOLE PROPERTY OF FORMS + SURFACES. ANY REPRODUCTION IN PART OR AS A WHOLE WITHOUT WRITTEN PERMISSION IS PROHIBITED.

SIZE	DWG. NO.	REV	SHEET
B	SLAPX 24S RC FS	0	1 OF 1

APEX RECEPTACLE (WITH RAIN COVER), 24 GALLON, STAINLESS STEEL, SINGLE-STREAM, FREESTANDING

8 7 6 5 4 3 2 1

PRINTED: 9/17/2012

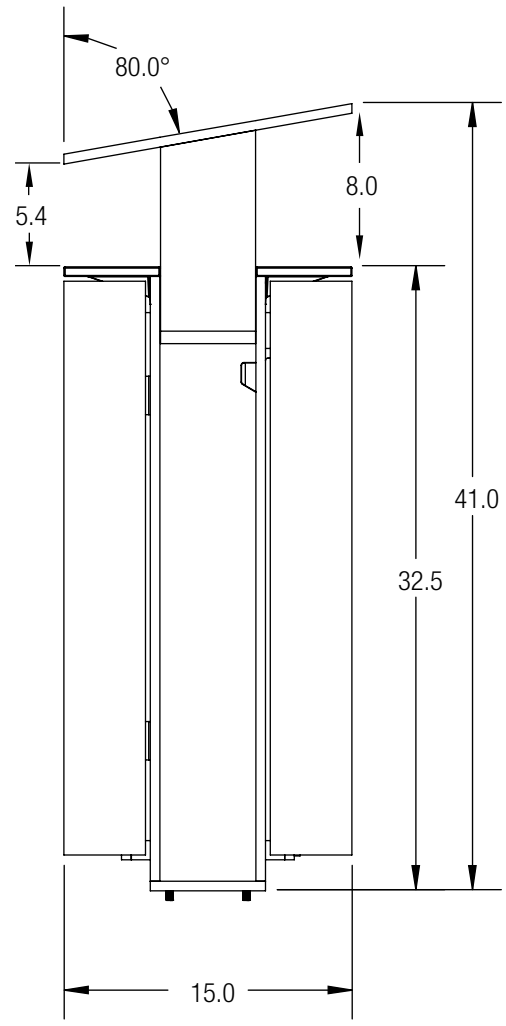
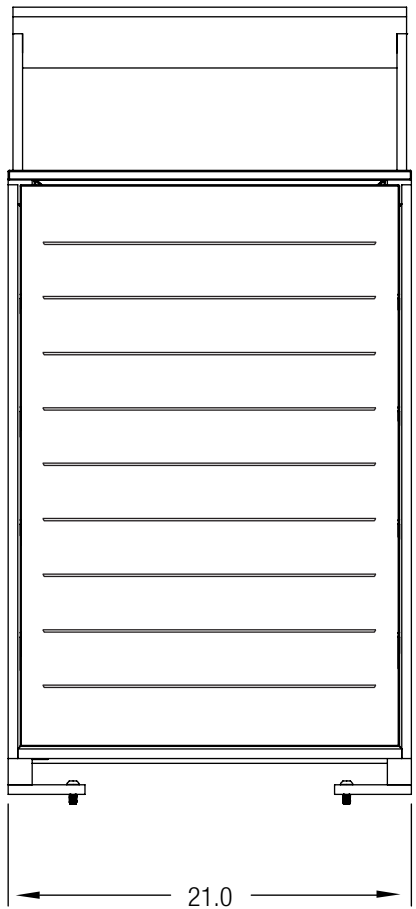
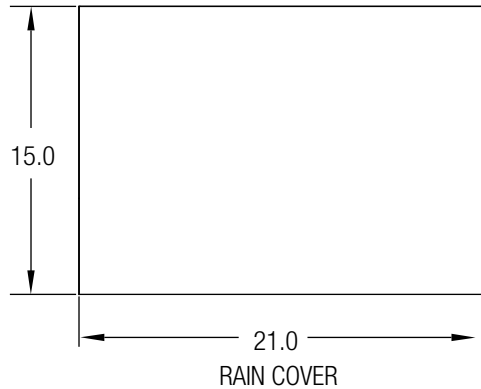
8 7 6 5 4 3 2 1

D

C

B

A



D

C

B

A

CUSTOMER APPROVAL:
 X _____
 DATE:
 X _____

UNLESS OTHERWISE SPECIFIED,
 DIMENSIONS ARE IN INCHES
 TOLERANCES (UNLESS OTHERWISE
 SPECIFIED):
 FRACTIONAL: ± 1/32
 ANGULAR/BEND: ± 1°
 TWO PLACE DECIMAL ± .030
 THREE PLACE DECIMAL ± .020
 MATERIAL: SEE DATA SHEET
 FINISH: SEE DATA SHEET
 WEIGHT: 117 LBS
 SOURCE: MDW
 SCALE: N.T.S.

FORMS+SURFACES® 30 Pine Street, Pittsburgh, PA 15223
 Tel (412) 781-9003 Fax (412) 781-7840

NAME	DATE
DWN DW	2/22/2013

APEX RECEPTACLE (WITH RAIN COVER), 24 GAL, STAINLESS STEEL, SINGLE-STREAM, SURFACE MOUNT

SIZE	DWG. NO.	REV	SHEET
B	SLAPX 24S RC SM	0	1 OF 1

DO NOT SCALE DRAWING
 PROPRIETARY AND CONFIDENTIAL
 THE INFORMATION CONTAINED IN THIS DRAWING IS THE SOLE PROPERTY OF FORMS + SURFACES. ANY REPRODUCTION IN PART OR AS A WHOLE WITHOUT WRITTEN PERMISSION IS PROHIBITED.

8 7 6 5 4 3 2 1

PRINTED: 9/17/2012

8 7 6 5 4 3 2 1

D

C

B

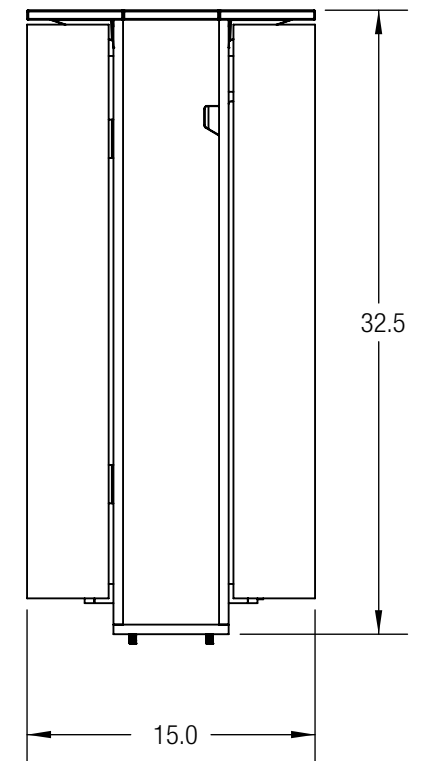
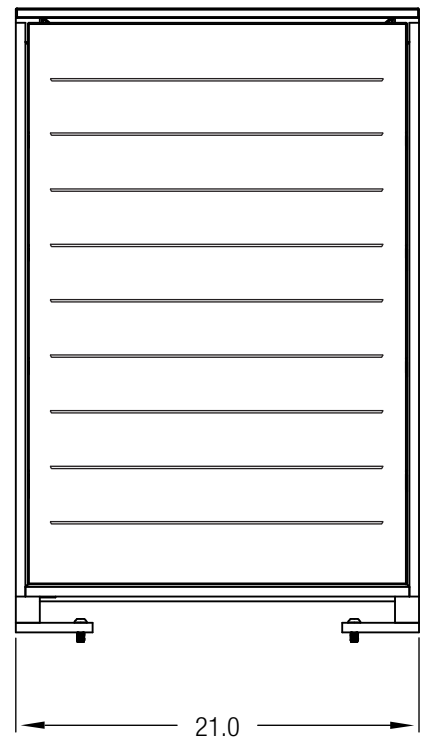
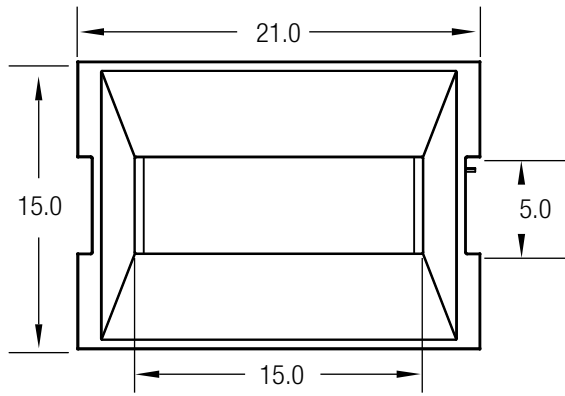
A

D

C

B

A



CUSTOMER APPROVAL:

X _____

DATE:

X _____

UNLESS OTHERWISE SPECIFIED,
DIMENSIONS ARE IN INCHES

TOLERANCES (UNLESS OTHERWISE
SPECIFIED):
 FRACTIONAL: $\pm 1/32$
 ANGULAR/BEND: $\pm 1^\circ$
 TWO PLACE DECIMAL $\pm .030$
 THREE PLACE DECIMAL $\pm .020$

MATERIAL: SEE DATA SHEET

FINISH: SEE DATA SHEET

WEIGHT: 95 LBS

SOURCE: MDW

SCALE: N.T.S.

FORMS+SURFACES® 30 Pine Street, Pittsburgh, PA 15223
 Tel (412) 781-9003 Fax (412) 781-7840

NAME	DATE
DWN DW	2/22/2013

DO NOT SCALE DRAWING

PROPRIETARY AND CONFIDENTIAL

THE INFORMATION CONTAINED IN THIS
DRAWING IS THE SOLE PROPERTY OF
FORMS + SURFACES. ANY REPRODUCTION
IN PART OR AS A WHOLE WITHOUT
WRITTEN PERMISSION IS PROHIBITED.

**APEX RECEPTACLE, 24 GALLON,
 STAINLESS STEEL, SINGLE-STREAM,
 SURFACE MOUNT**

SIZE	DWG. NO.	REV	SHEET
B	SLAPX 24S SM	0	1 OF 1

8 7 6 5 4 3 2 1

PRINTED: 9/17/2012