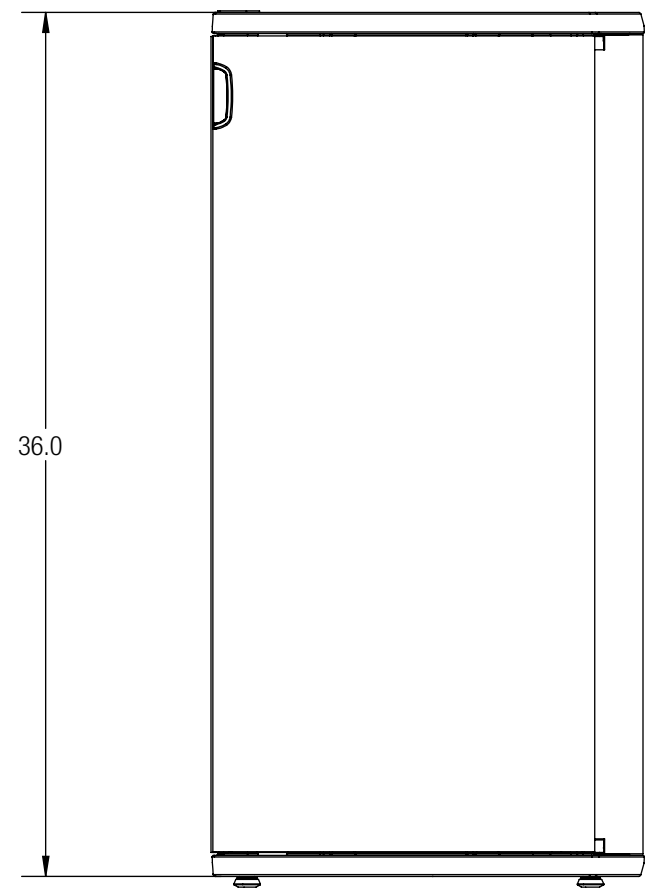
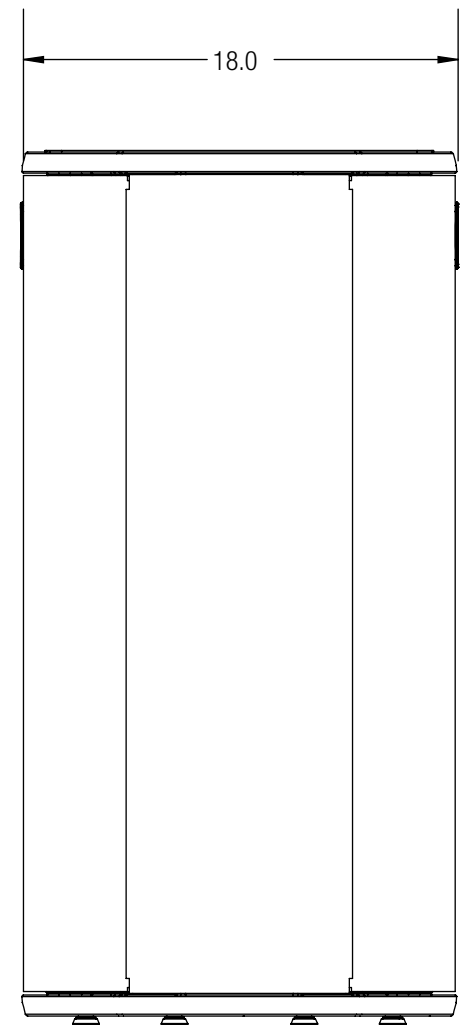


8 7 6 5 4 3 2 1

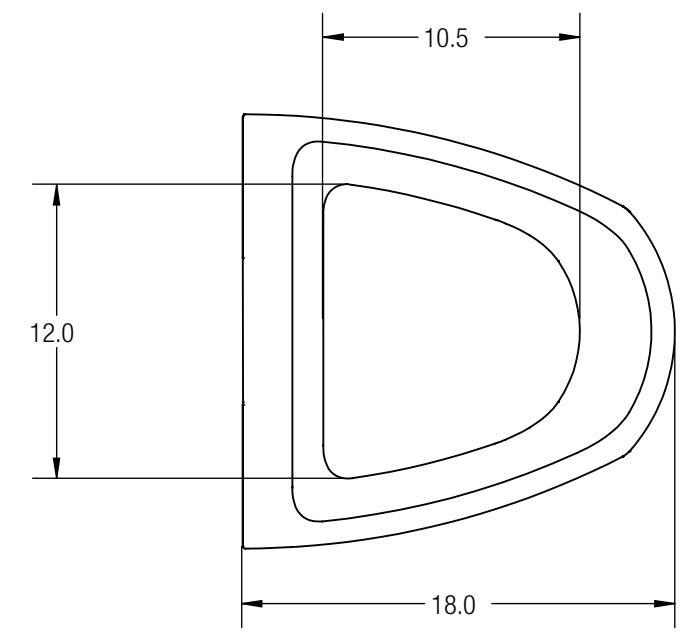
D  
C  
B  
A



SIDE VIEW



FRONT VIEW



TOP VIEW

CUSTOMER APPROVAL:

X \_\_\_\_\_

DATE:

X \_\_\_\_\_

UNLESS OTHERWISE SPECIFIED, DIMENSIONS ARE IN INCHES		<b>FORMS+SURFACES</b> ® 30 Pine Street, Pittsburgh, PA 15223 Tel (412) 781-9003 Fax (412) 781-7840	
TOLERANCES (UNLESS OTHERWISE SPECIFIED):		NAME	DATE
FRACTIONAL: ±1/32		DWN	MGJ
ANGULAR/BEND: ±1°			7/7/2015
TWO PLACE DECIMAL ±.030		AXIS RECEPTACLE SLAXS-132	
THREE PLACE DECIMAL ±.020			
MATERIAL: SEE DATA SHEET		DO NOT SCALE DRAWING	
FINISH: SEE DATA SHEET		PROPRIETARY AND CONFIDENTIAL	
WEIGHT: 77 LBS		THE INFORMATION CONTAINED IN THIS DRAWING IS THE SOLE PROPERTY OF FORMS + SURFACES. ANY REPRODUCTION IN PART OR AS A WHOLE WITHOUT WRITTEN PERMISSION IS PROHIBITED.	
SOURCE: MDW		SIZE	DWG. NO.
SCALE: N.T.S.		B	SLAXS-132
		REV	SHEET
		0	1 OF 1

8 7 6 5 4 3 2 1

D  
C  
B  
A

PRINTED: 8/18/2015