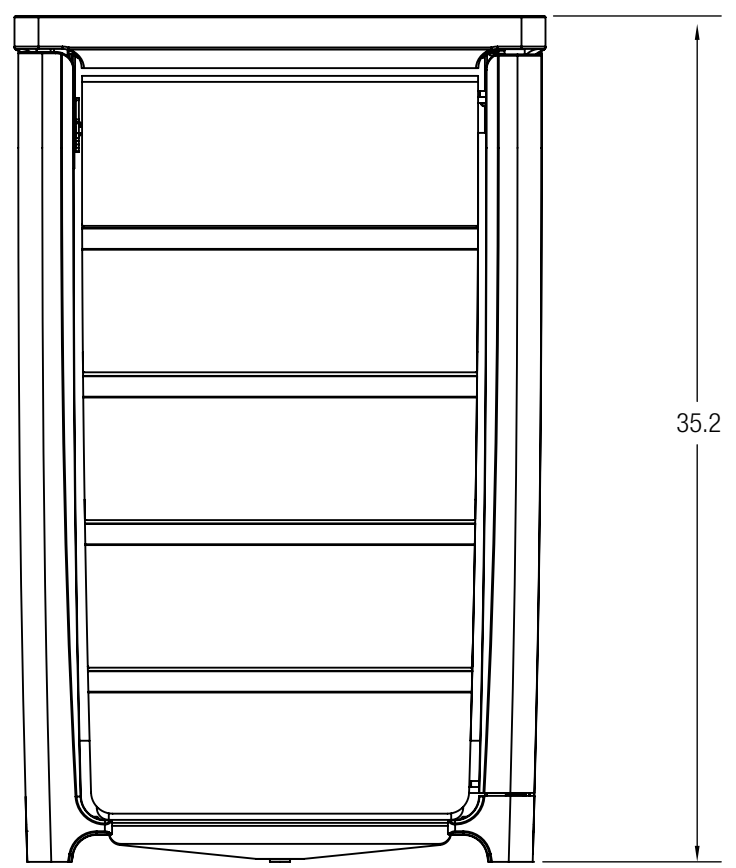
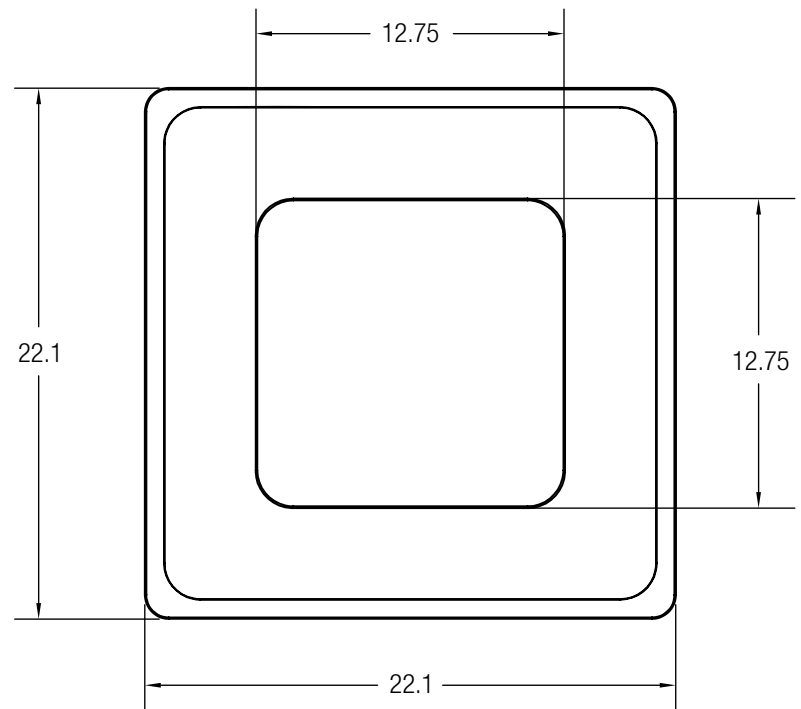


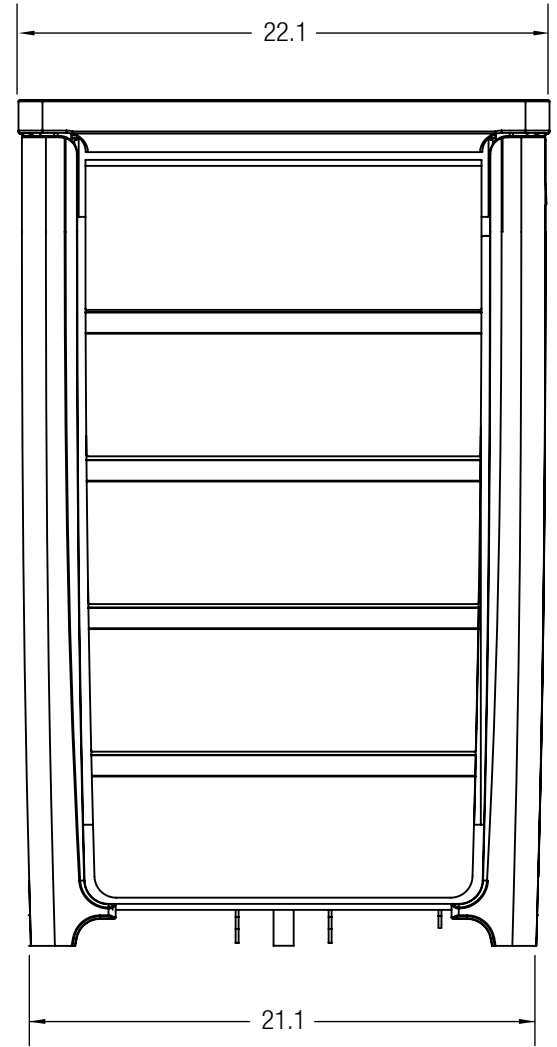
8 7 6 5 4 3 2 1

D
C
B
A

D
C
B
A



FRONT ELEVATION



SIDE ELEVATION

CUSTOMER APPROVAL:

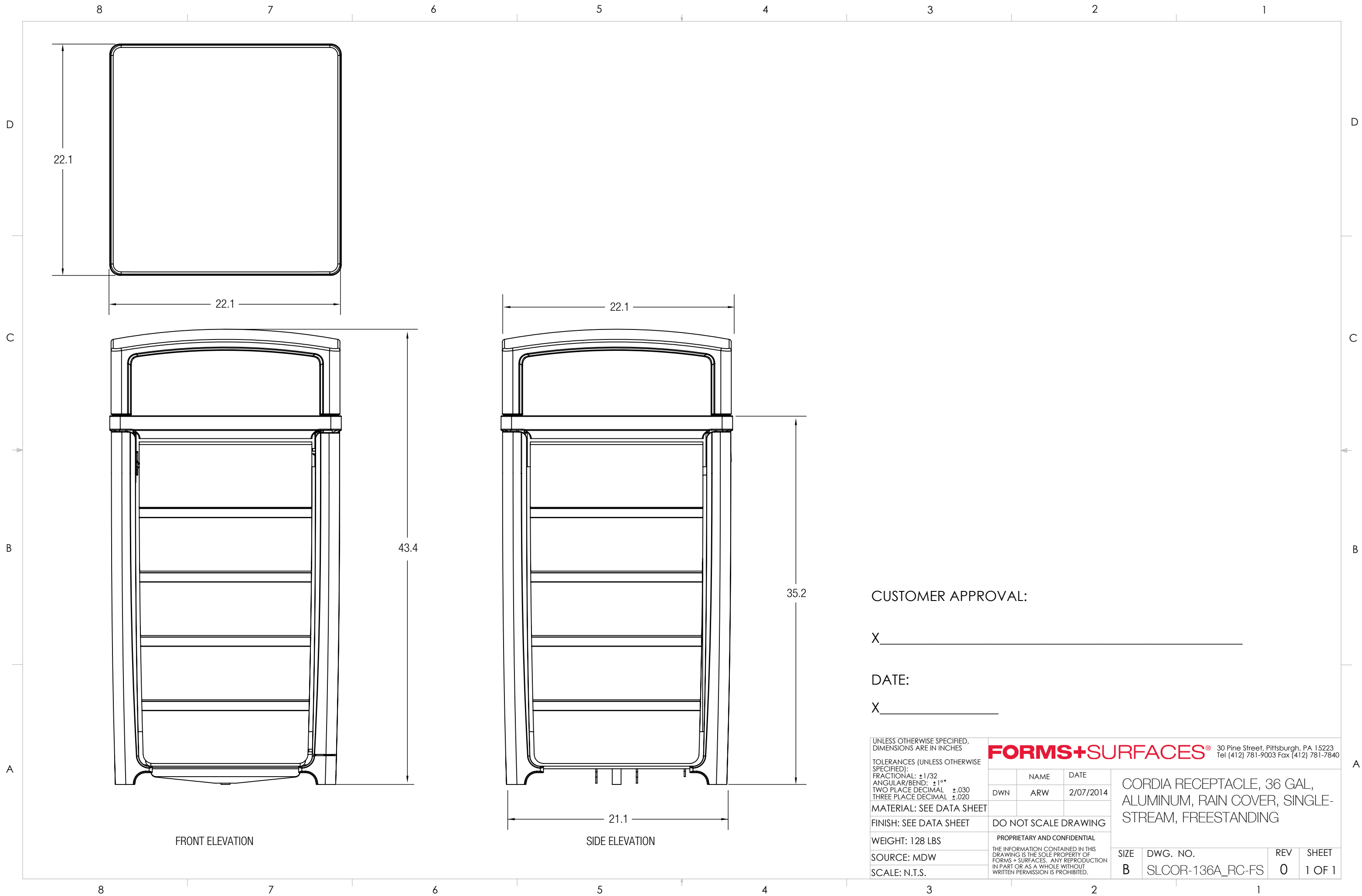
X _____

DATE:

X _____

UNLESS OTHERWISE SPECIFIED, DIMENSIONS ARE IN INCHES		FORMS+SURFACES [®] 30 Pine Street, Pittsburgh, PA 15223 Tel (412) 781-9003 Fax (412) 781-7840	
TOLERANCES (UNLESS OTHERWISE SPECIFIED): FRACTIONAL: ±1/32 ANGULAR/BEND: ±1°* TWO PLACE DECIMAL ±.030 THREE PLACE DECIMAL ±.020		NAME	DATE
MATERIAL: SEE DATA SHEET		DWN	ARW 2/07/2014
FINISH: SEE DATA SHEET		DO NOT SCALE DRAWING	
WEIGHT: 103 LBS		PROPRIETARY AND CONFIDENTIAL	
SOURCE: MDW		THE INFORMATION CONTAINED IN THIS DRAWING IS THE SOLE PROPERTY OF FORMS + SURFACES. ANY REPRODUCTION IN PART OR AS A WHOLE WITHOUT WRITTEN PERMISSION IS PROHIBITED.	
SCALE: N.T.S.		SIZE	DWG. NO.
		B	SLCOR-136A-FS
		REV	SHEET
		0	1 OF 1

8 7 6 5 4 3 2 1



CUSTOMER APPROVAL:

X _____

DATE:

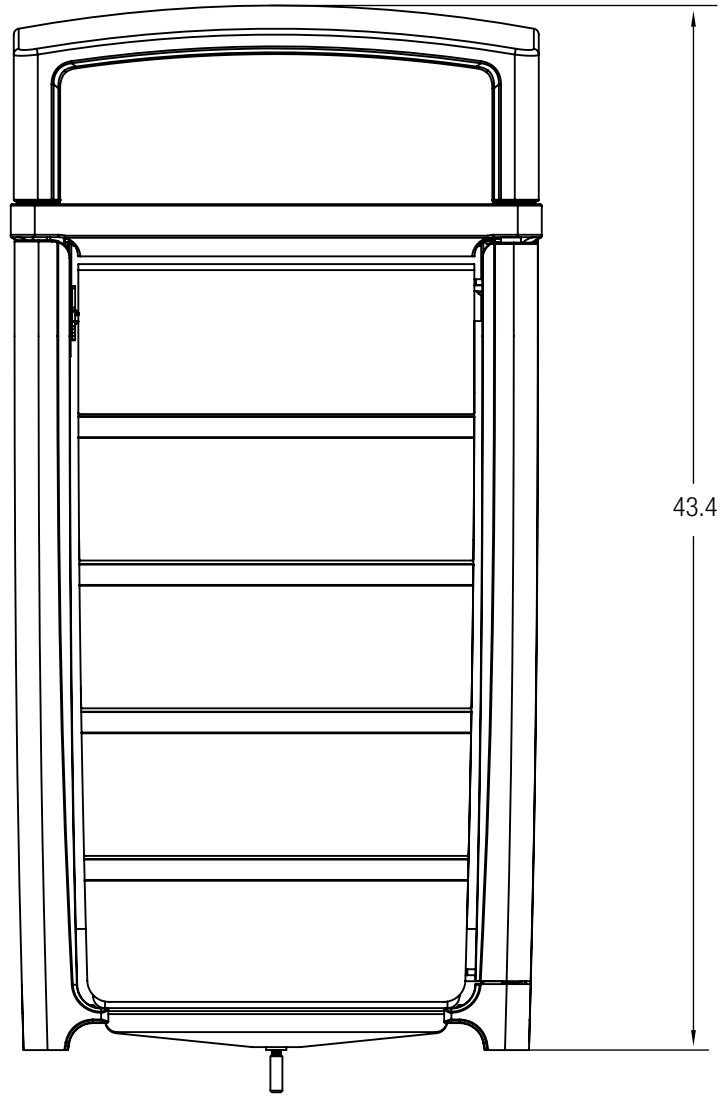
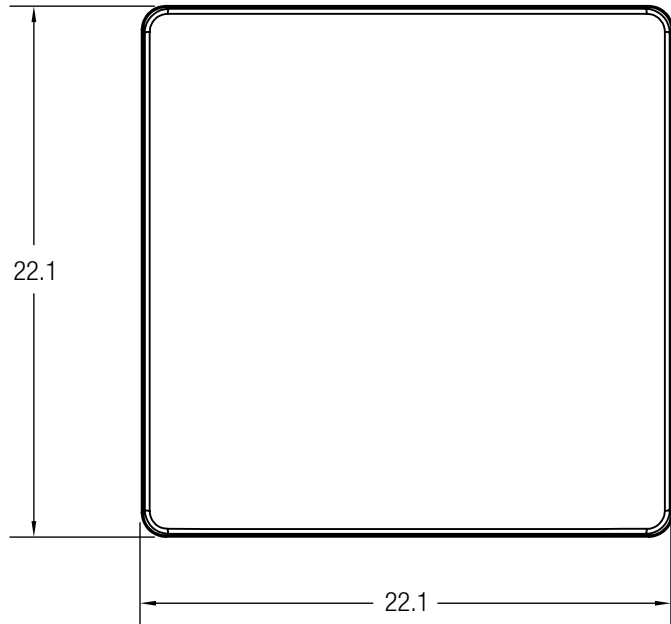
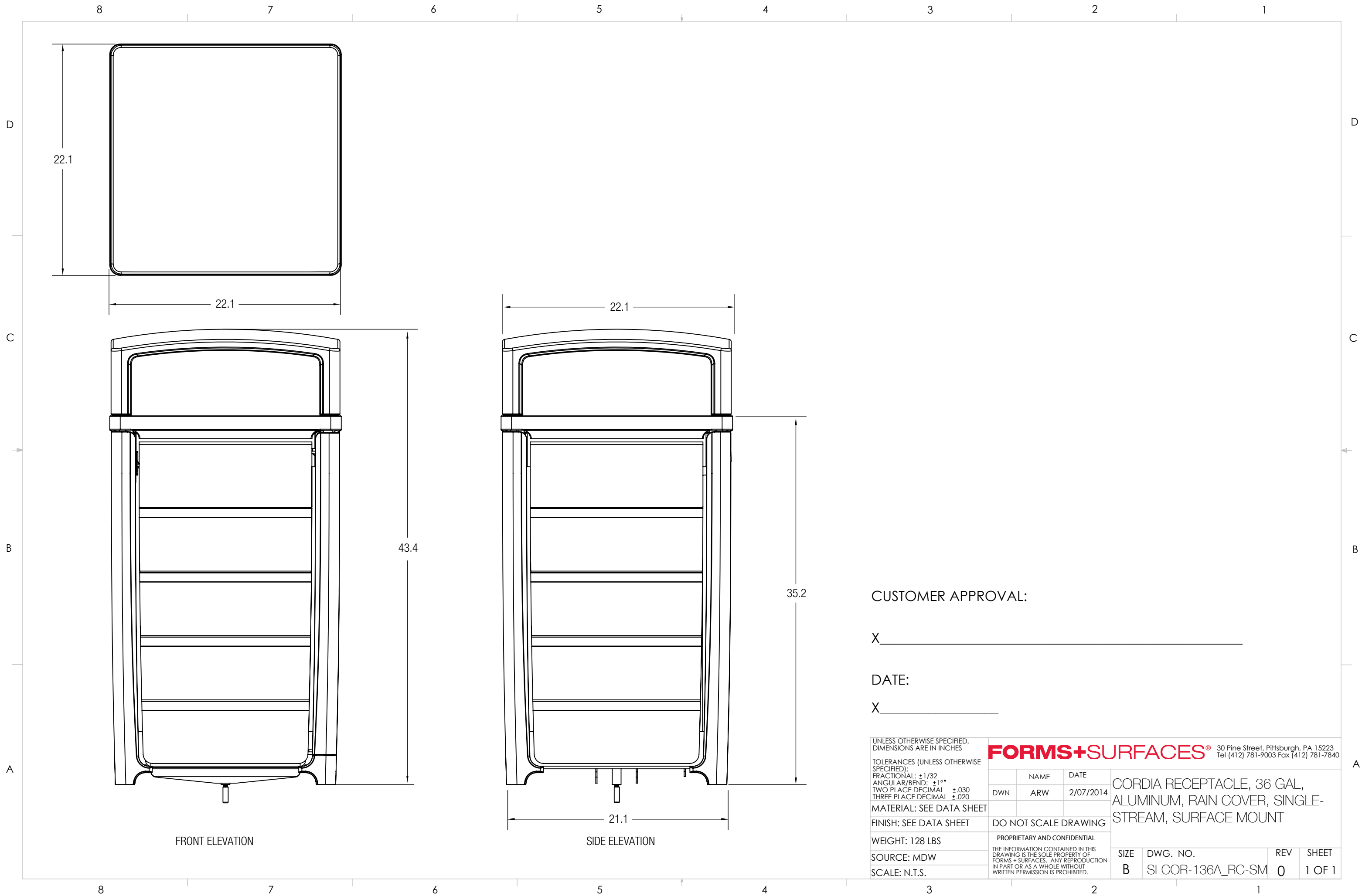
X _____

UNLESS OTHERWISE SPECIFIED, DIMENSIONS ARE IN INCHES		FORMS+SURFACES ® 30 Pine Street, Pittsburgh, PA 15223 Tel (412) 781-9003 Fax (412) 781-7840	
TOLERANCES (UNLESS OTHERWISE SPECIFIED): FRACTIONAL: ±1/32 ANGULAR/BEND: ±1°* TWO PLACE DECIMAL ±.030 THREE PLACE DECIMAL ±.020		NAME	DATE
MATERIAL: SEE DATA SHEET		DWN	ARW 2/07/2014
FINISH: SEE DATA SHEET		DO NOT SCALE DRAWING	
WEIGHT: 128 LBS		PROPRIETARY AND CONFIDENTIAL	
SOURCE: MDW		THE INFORMATION CONTAINED IN THIS DRAWING IS THE SOLE PROPERTY OF FORMS + SURFACES. ANY REPRODUCTION IN PART OR AS A WHOLE WITHOUT WRITTEN PERMISSION IS PROHIBITED.	
SCALE: N.T.S.		SIZE	DWG. NO.
		B	SLCOR-136A_RC-FS
		REV	SHEET
		0	1 OF 1

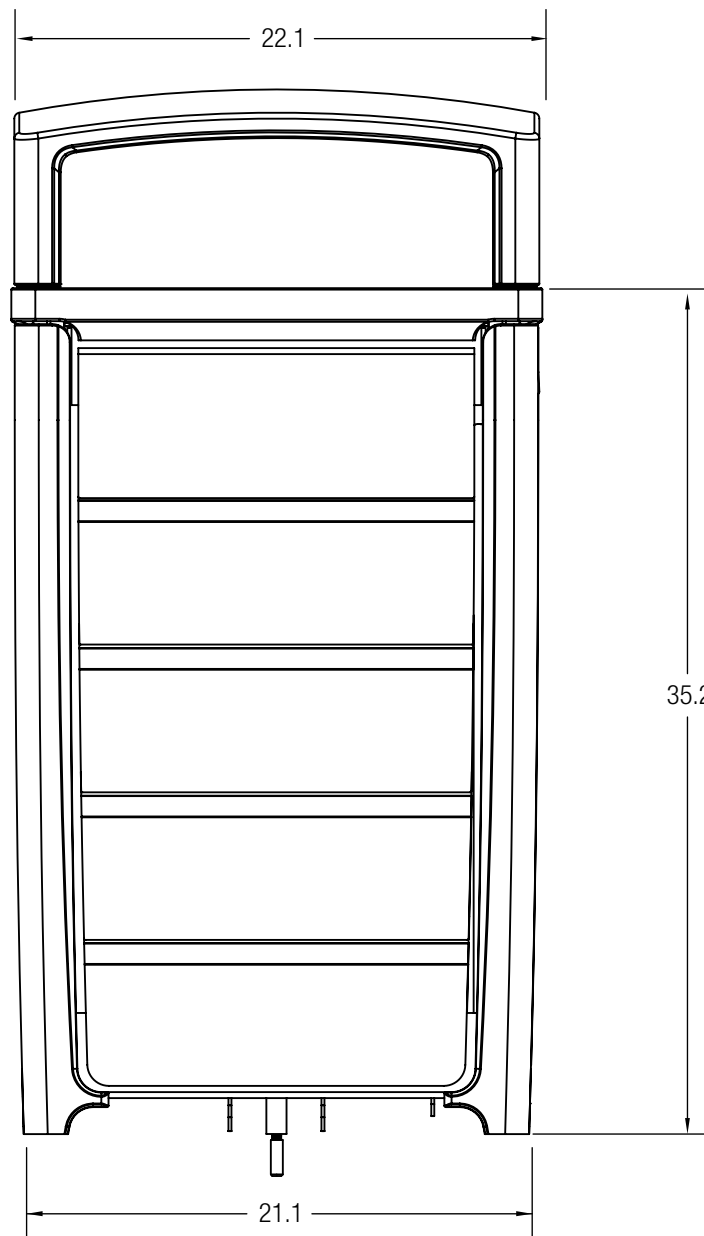
FRONT ELEVATION

SIDE ELEVATION

CORDIA RECEPTACLE, 36 GAL, ALUMINUM, RAIN COVER, SINGLE-STREAM, FREESTANDING



FRONT ELEVATION



SIDE ELEVATION

CUSTOMER APPROVAL:

X _____

DATE:

X _____

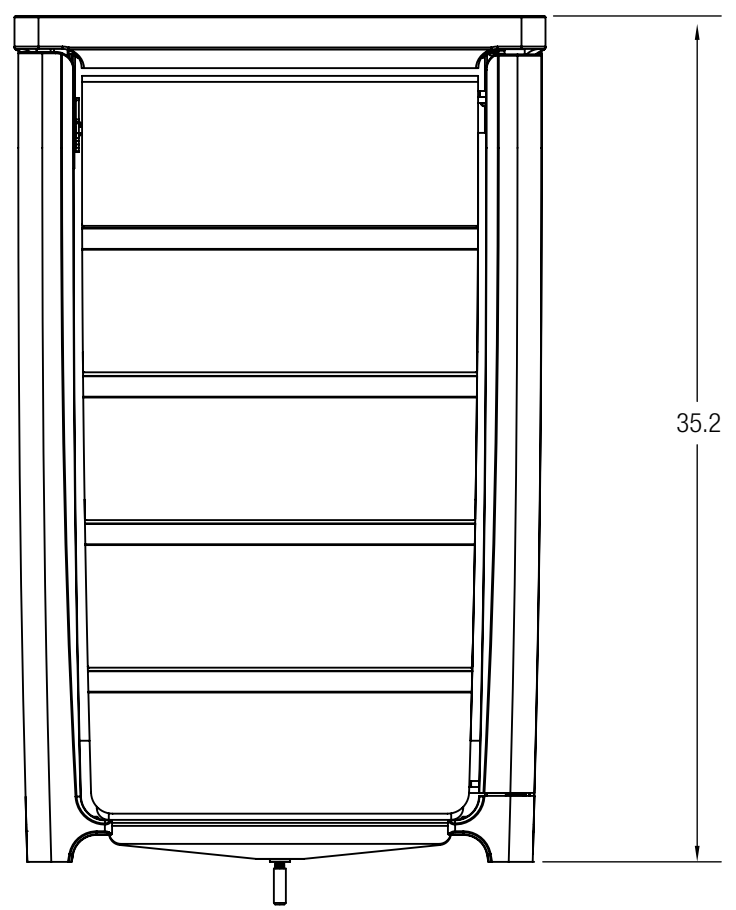
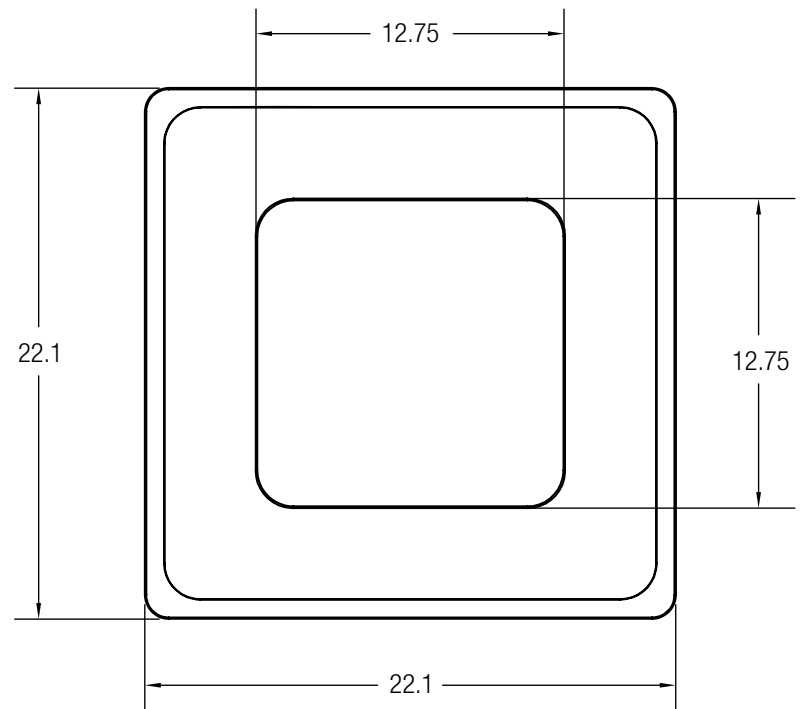
UNLESS OTHERWISE SPECIFIED, DIMENSIONS ARE IN INCHES		FORMS+SURFACES ® 30 Pine Street, Pittsburgh, PA 15223 Tel (412) 781-9003 Fax (412) 781-7840	
TOLERANCES (UNLESS OTHERWISE SPECIFIED): FRACTIONAL: ±1/32 ANGULAR/BEND: ±1°* TWO PLACE DECIMAL ±.030 THREE PLACE DECIMAL ±.020		NAME	DATE
MATERIAL: SEE DATA SHEET		DWN	ARW 2/07/2014
FINISH: SEE DATA SHEET		DO NOT SCALE DRAWING	
WEIGHT: 128 LBS		PROPRIETARY AND CONFIDENTIAL	
SOURCE: MDW		THE INFORMATION CONTAINED IN THIS DRAWING IS THE SOLE PROPERTY OF FORMS + SURFACES. ANY REPRODUCTION IN PART OR AS A WHOLE WITHOUT WRITTEN PERMISSION IS PROHIBITED.	
SCALE: N.T.S.		SIZE	DWG. NO.
		B	SLCOR-136A_RC-SM
		REV	SHEET
		0	1 OF 1

CORDIA RECEPTACLE, 36 GAL, ALUMINUM, RAIN COVER, SINGLE-STREAM, SURFACE MOUNT

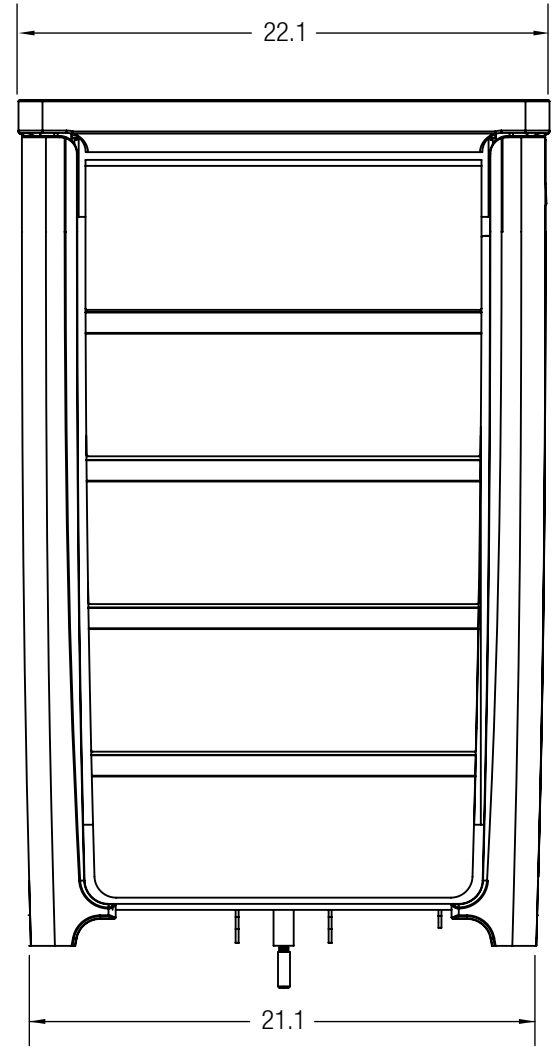
8 7 6 5 4 3 2 1

D
C
B
A

D
C
B
A



FRONT ELEVATION



SIDE ELEVATION

CUSTOMER APPROVAL:

X _____

DATE:

X _____

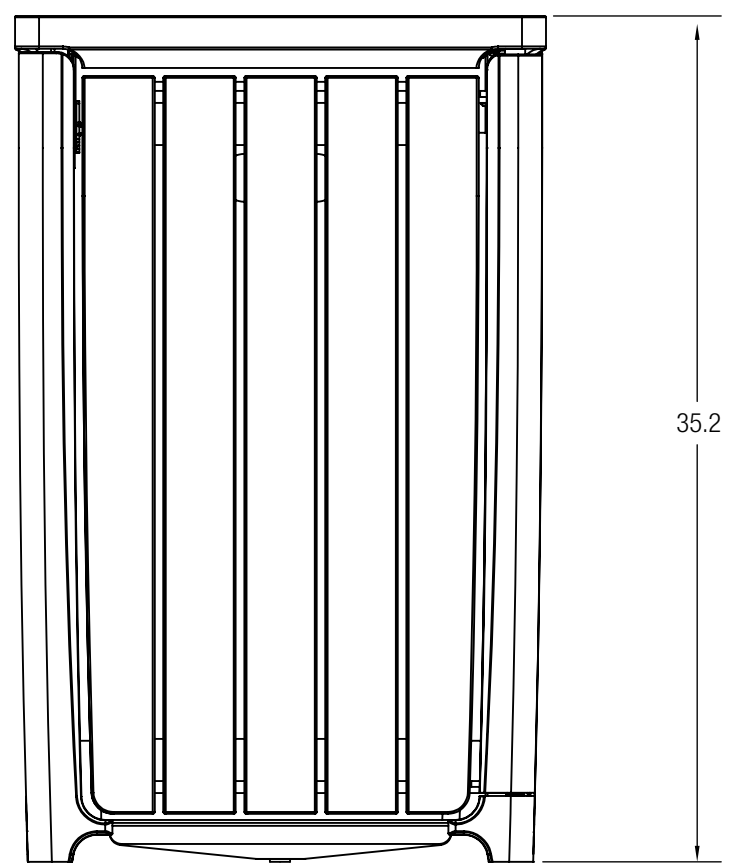
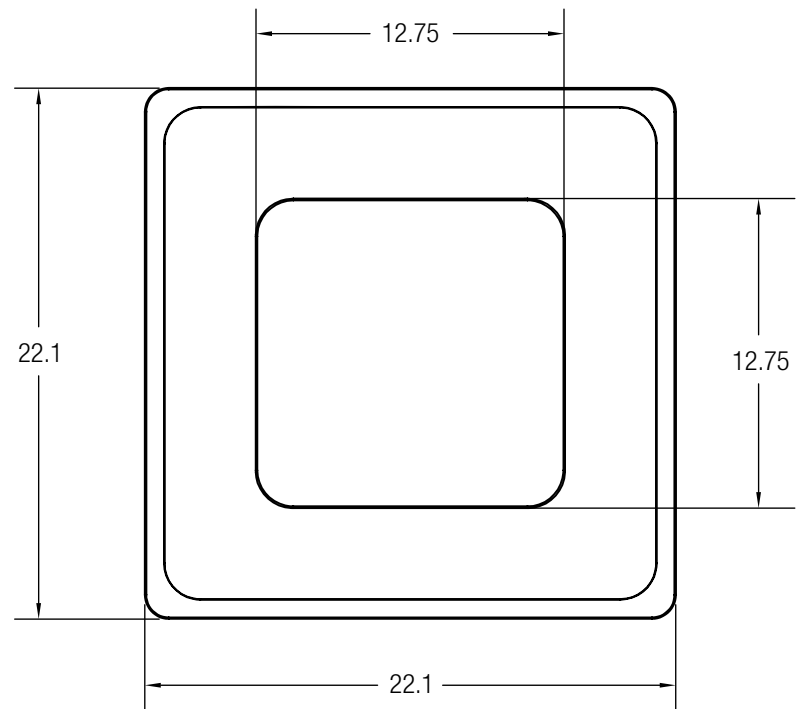
UNLESS OTHERWISE SPECIFIED, DIMENSIONS ARE IN INCHES		FORMS+SURFACES ® 30 Pine Street, Pittsburgh, PA 15223 Tel (412) 781-9003 Fax (412) 781-7840	
TOLERANCES (UNLESS OTHERWISE SPECIFIED): FRACTIONAL: ±1/32 ANGULAR/BEND: ±1°* TWO PLACE DECIMAL ±.030 THREE PLACE DECIMAL ±.020		NAME	DATE
MATERIAL: SEE DATA SHEET		DWN	ARW 2/07/2014
FINISH: SEE DATA SHEET		DO NOT SCALE DRAWING	
WEIGHT: 103 LBS		PROPRIETARY AND CONFIDENTIAL	
SOURCE: MDW		THE INFORMATION CONTAINED IN THIS DRAWING IS THE SOLE PROPERTY OF FORMS + SURFACES. ANY REPRODUCTION IN PART OR AS A WHOLE WITHOUT WRITTEN PERMISSION IS PROHIBITED.	
SCALE: N.T.S.		SIZE	DWG. NO.
		B	SLCOR-136A-SM
		REV	SHEET
		0	1 OF 1

8 7 6 5 4 3 2 1

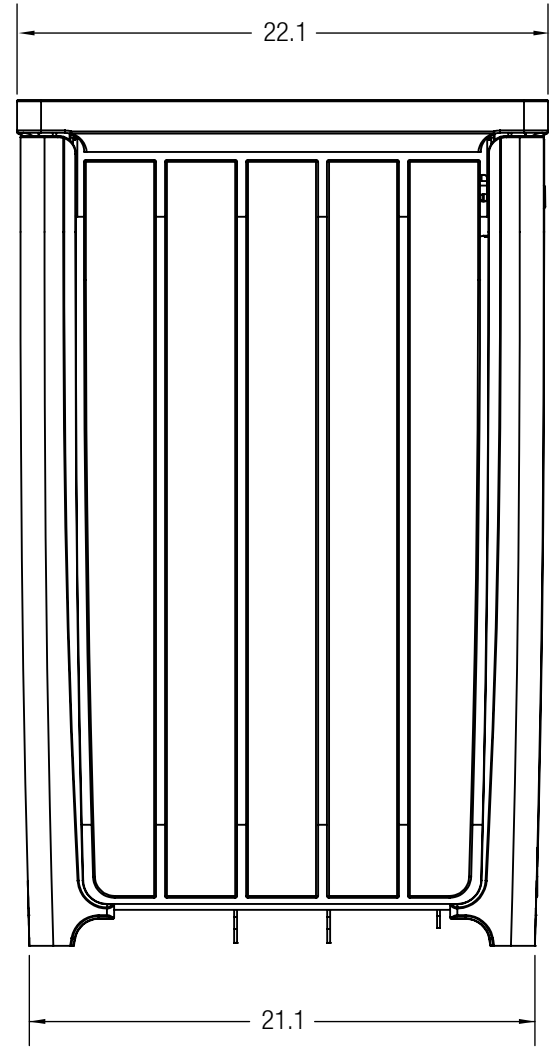
8 7 6 5 4 3 2 1

D
C
B
A

D
C
B
A



FRONT ELEVATION



SIDE ELEVATION

CUSTOMER APPROVAL:

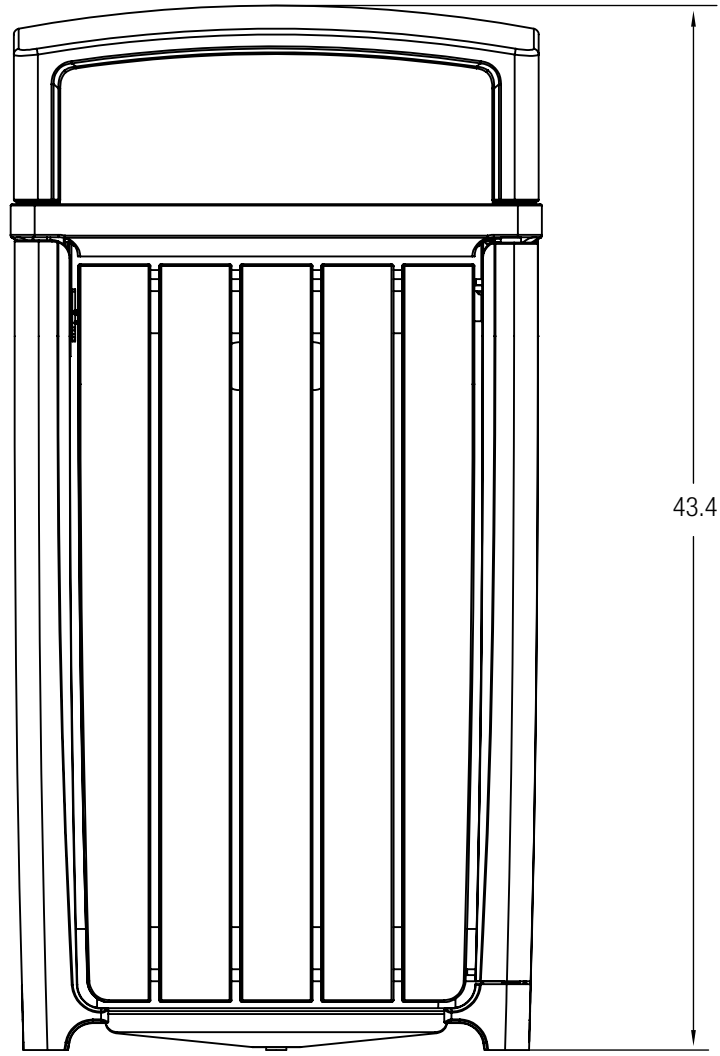
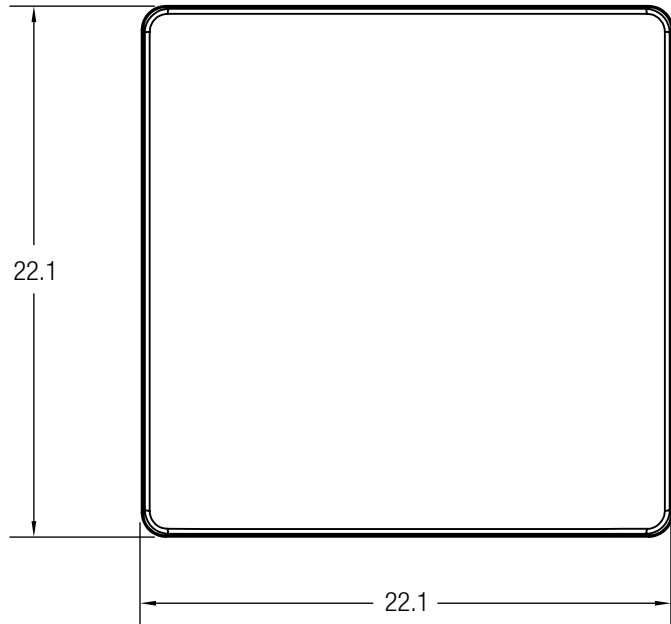
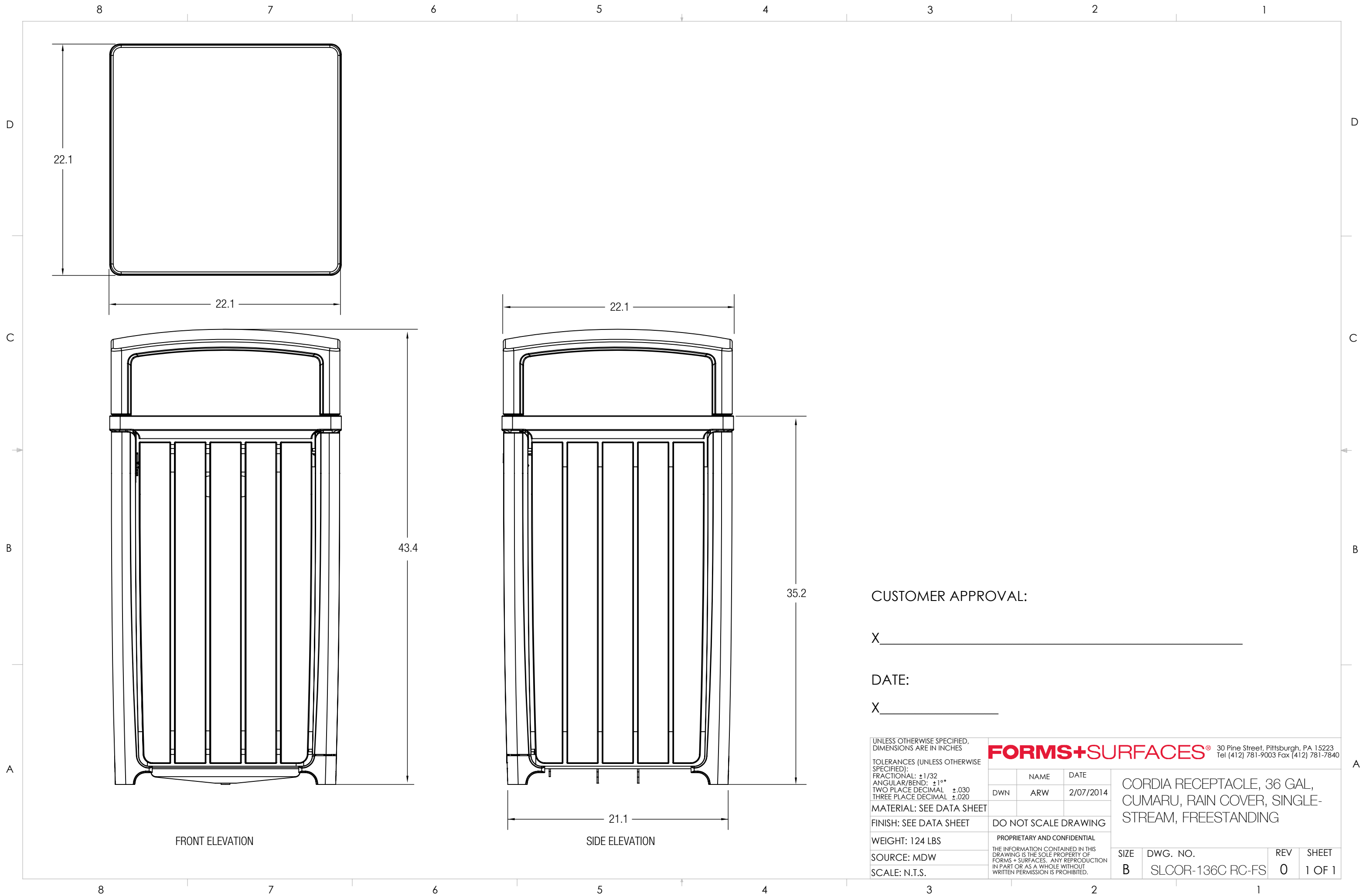
X _____

DATE:

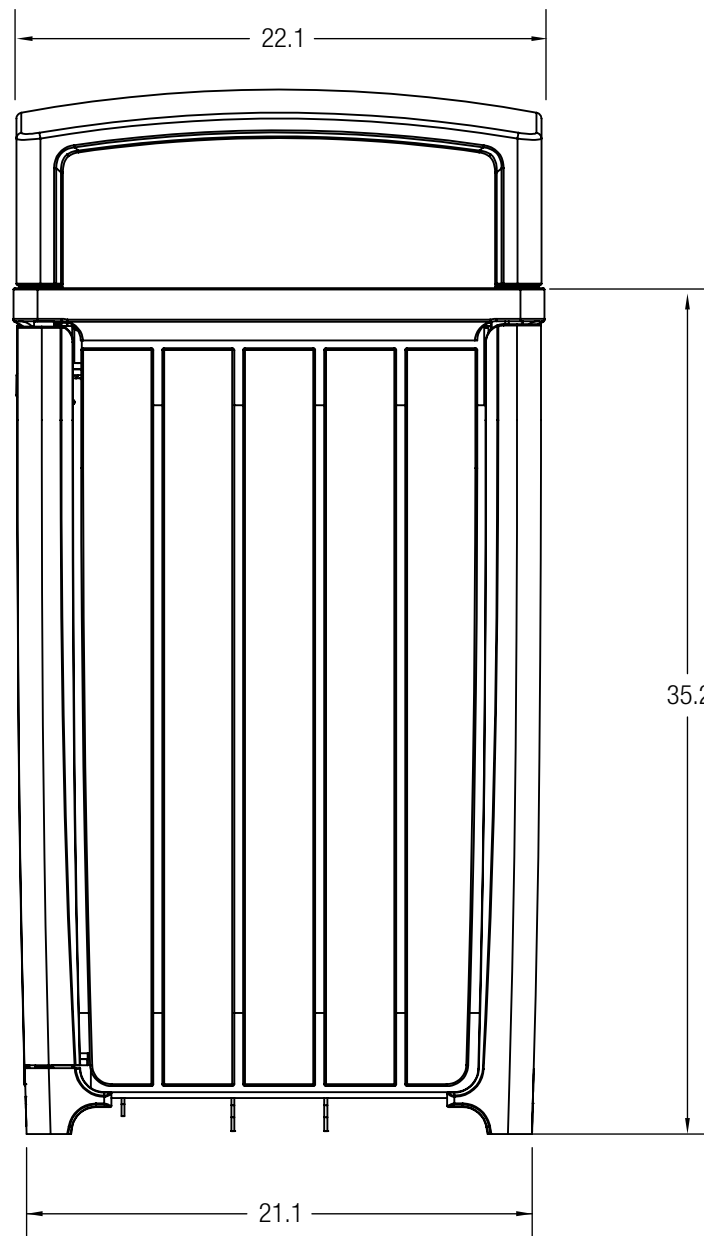
X _____

UNLESS OTHERWISE SPECIFIED, DIMENSIONS ARE IN INCHES		FORMS+SURFACES ® 30 Pine Street, Pittsburgh, PA 15223 Tel (412) 781-9003 Fax (412) 781-7840	
TOLERANCES (UNLESS OTHERWISE SPECIFIED): FRACTIONAL: ±1/32 ANGULAR/BEND: ±1°* TWO PLACE DECIMAL ±.030 THREE PLACE DECIMAL ±.020		NAME	DATE
MATERIAL: SEE DATA SHEET		DWN	ARW 2/07/2014
FINISH: SEE DATA SHEET		DO NOT SCALE DRAWING	
WEIGHT: 99 LBS		PROPRIETARY AND CONFIDENTIAL	
SOURCE: MDW		THE INFORMATION CONTAINED IN THIS DRAWING IS THE SOLE PROPERTY OF FORMS + SURFACES. ANY REPRODUCTION IN PART OR AS A WHOLE WITHOUT WRITTEN PERMISSION IS PROHIBITED.	
SCALE: N.T.S.		SIZE	DWG. NO.
		B	SLCOR-136C-FS
		REV	SHEET
		0	1 OF 1

8 7 6 5 4 3 2 1



FRONT ELEVATION



SIDE ELEVATION

CUSTOMER APPROVAL:

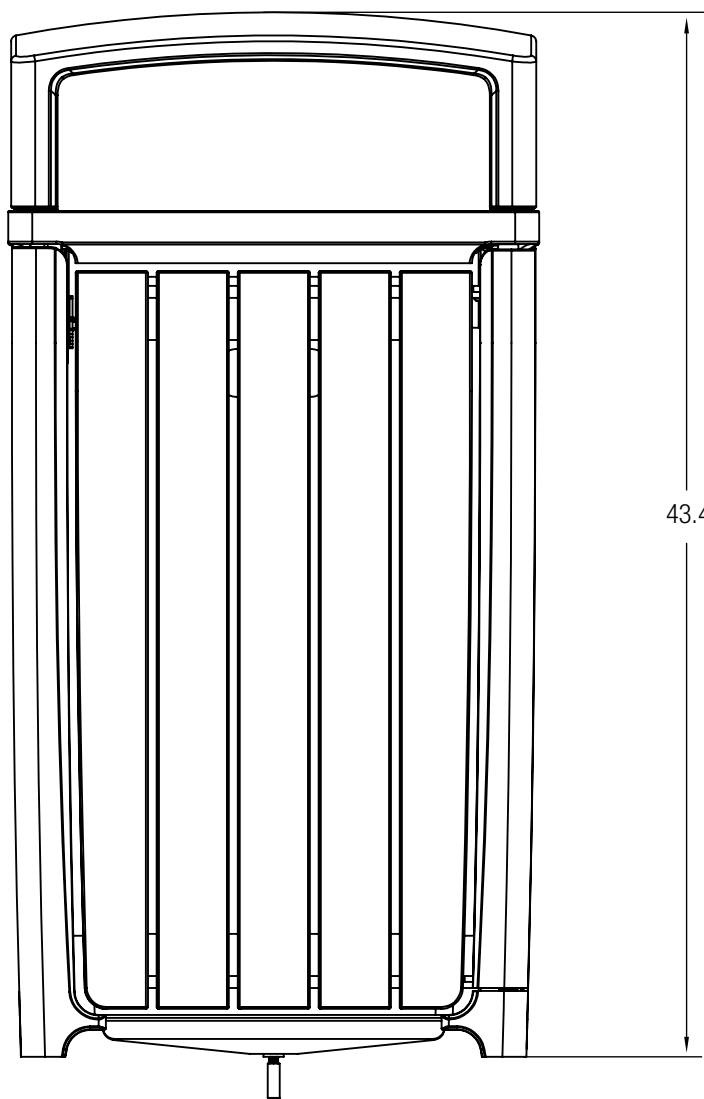
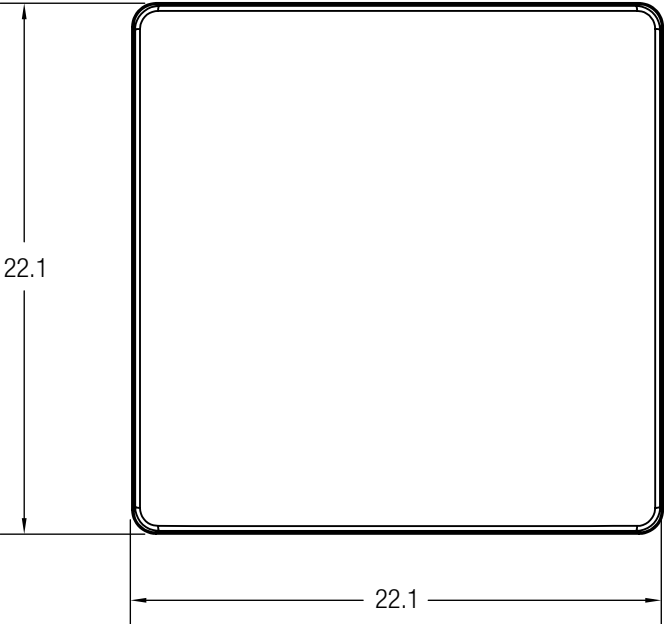
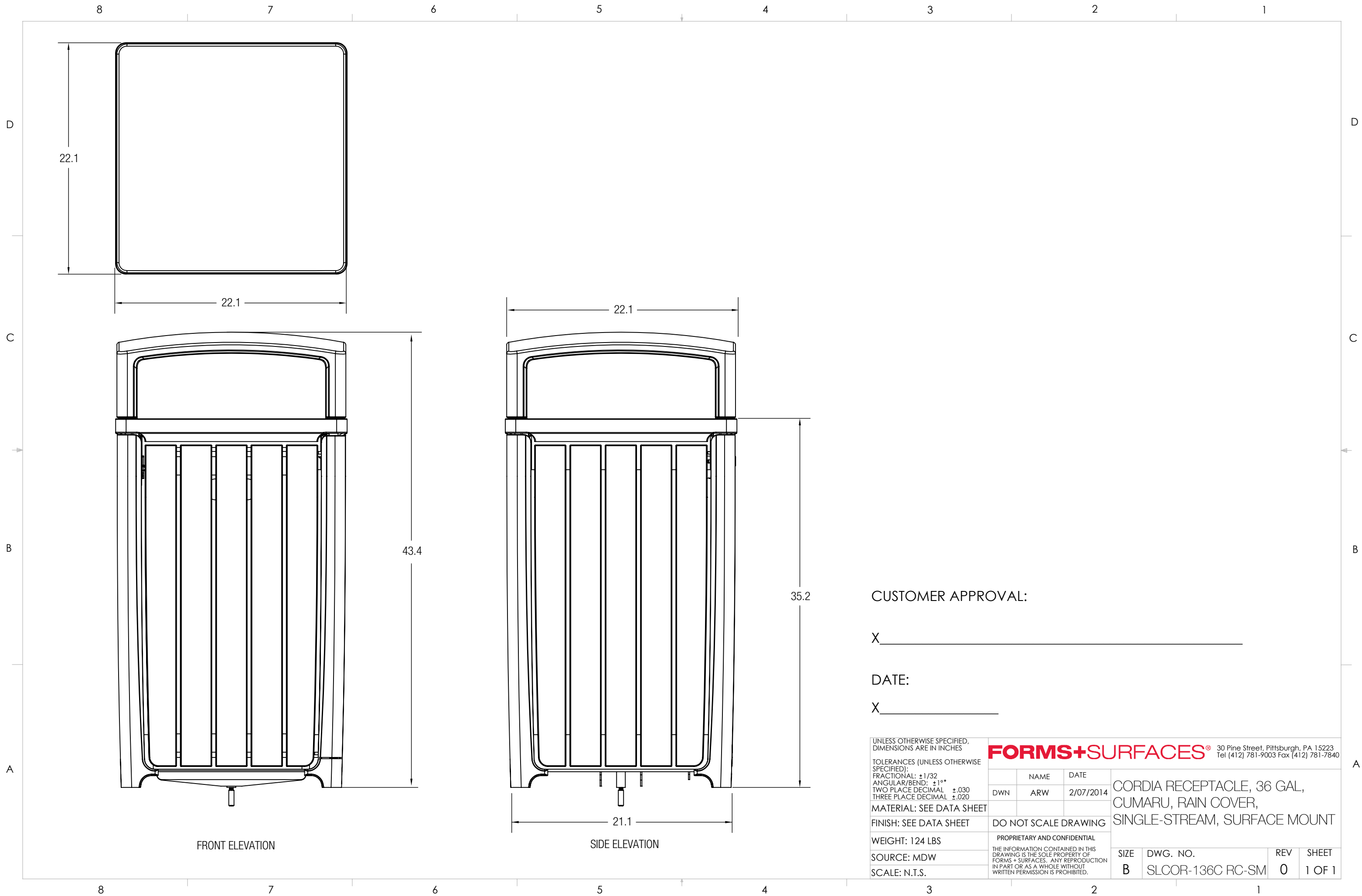
X _____

DATE:

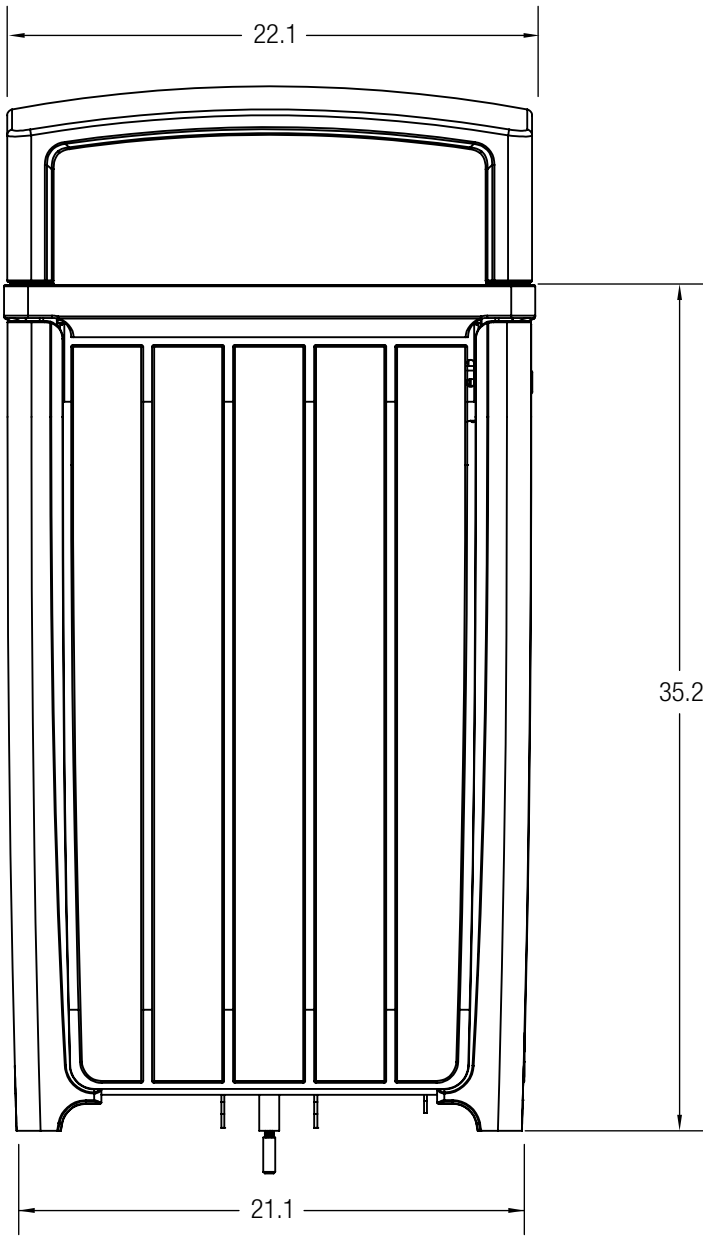
X _____

UNLESS OTHERWISE SPECIFIED, DIMENSIONS ARE IN INCHES		FORMS+SURFACES ® 30 Pine Street, Pittsburgh, PA 15223 Tel (412) 781-9003 Fax (412) 781-7840	
TOLERANCES (UNLESS OTHERWISE SPECIFIED): FRACTIONAL: ±1/32 ANGULAR/BEND: ±1°* TWO PLACE DECIMAL ±.030 THREE PLACE DECIMAL ±.020		NAME	DATE
MATERIAL: SEE DATA SHEET		DWN	ARW 2/07/2014
FINISH: SEE DATA SHEET		DO NOT SCALE DRAWING	
WEIGHT: 124 LBS		PROPRIETARY AND CONFIDENTIAL	
SOURCE: MDW		THE INFORMATION CONTAINED IN THIS DRAWING IS THE SOLE PROPERTY OF FORMS + SURFACES. ANY REPRODUCTION IN PART OR AS A WHOLE WITHOUT WRITTEN PERMISSION IS PROHIBITED.	
SCALE: N.T.S.		SIZE	DWG. NO.
		B	SLCOR-136C RC-FS
		REV	SHEET
		0	1 OF 1

CORDIA RECEPTACLE, 36 GAL, CUMARU, RAIN COVER, SINGLE-STREAM, FREESTANDING



FRONT ELEVATION



SIDE ELEVATION

CUSTOMER APPROVAL:

X _____

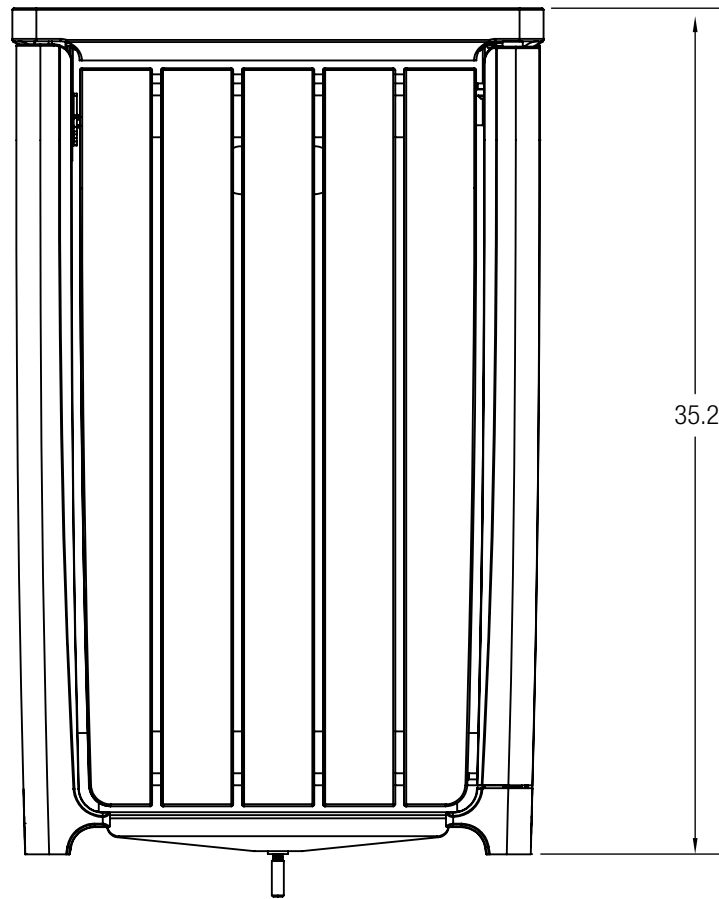
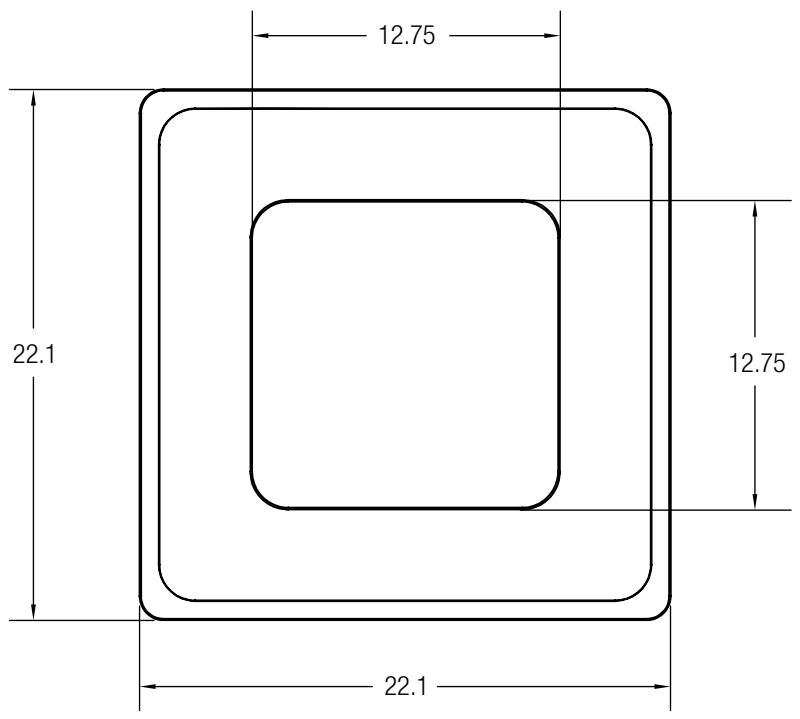
DATE:

X _____

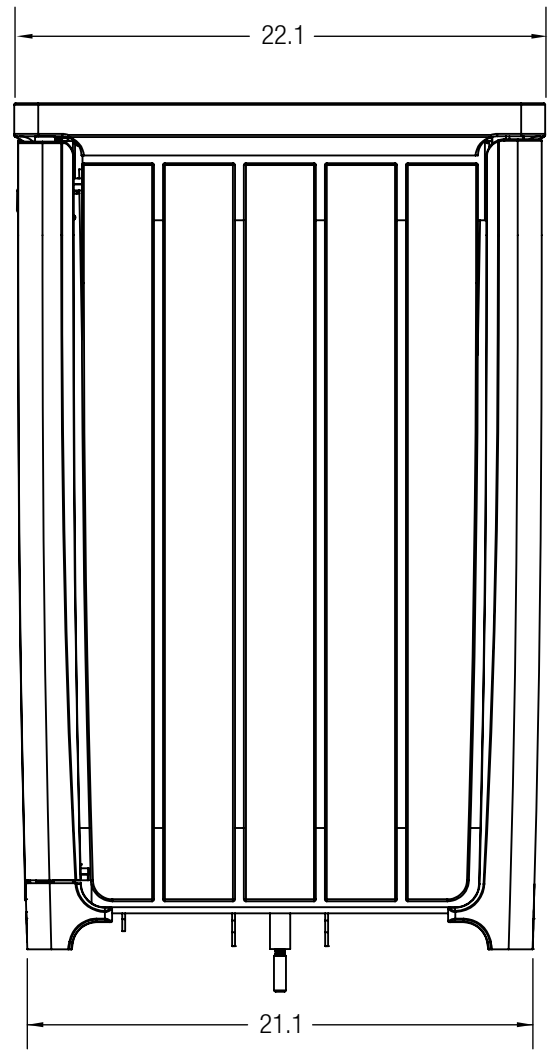
UNLESS OTHERWISE SPECIFIED, DIMENSIONS ARE IN INCHES		FORMS+SURFACES ® 30 Pine Street, Pittsburgh, PA 15223 Tel (412) 781-9003 Fax (412) 781-7840	
TOLERANCES (UNLESS OTHERWISE SPECIFIED): FRACTIONAL: ±1/32 ANGULAR/BEND: ±1° TWO PLACE DECIMAL ±.030 THREE PLACE DECIMAL ±.020		NAME	DATE
MATERIAL: SEE DATA SHEET		DWN	ARW 2/07/2014
FINISH: SEE DATA SHEET		DO NOT SCALE DRAWING	
WEIGHT: 124 LBS		PROPRIETARY AND CONFIDENTIAL	
SOURCE: MDW		THE INFORMATION CONTAINED IN THIS DRAWING IS THE SOLE PROPERTY OF FORMS + SURFACES. ANY REPRODUCTION IN PART OR AS A WHOLE WITHOUT WRITTEN PERMISSION IS PROHIBITED.	
SCALE: N.T.S.		SIZE	DWG. NO.
		B	SLCOR-136C RC-SM
		REV	SHEET
		0	1 OF 1

CORDIA RECEPTACLE, 36 GAL,
CUMARU, RAIN COVER,
SINGLE-STREAM, SURFACE MOUNT

8 7 6 5 4 3 2 1



FRONT ELEVATION



SIDE ELEVATION

CUSTOMER APPROVAL:

X _____

DATE:

X _____

UNLESS OTHERWISE SPECIFIED, DIMENSIONS ARE IN INCHES		FORMS+SURFACES [®] 30 Pine Street, Pittsburgh, PA 15223 Tel (412) 781-9003 Fax (412) 781-7840	
TOLERANCES (UNLESS OTHERWISE SPECIFIED): FRACTIONAL: ±1/32 ANGULAR/BEND: ±1° TWO PLACE DECIMAL ±.030 THREE PLACE DECIMAL ±.020		NAME	DATE
MATERIAL: SEE DATA SHEET		DWN	ARW 2/07/2014
FINISH: SEE DATA SHEET		DO NOT SCALE DRAWING	
WEIGHT: 99 LBS		PROPRIETARY AND CONFIDENTIAL	
SOURCE: MDW		THE INFORMATION CONTAINED IN THIS DRAWING IS THE SOLE PROPERTY OF FORMS + SURFACES. ANY REPRODUCTION IN PART OR AS A WHOLE WITHOUT WRITTEN PERMISSION IS PROHIBITED.	
SCALE: N.T.S.		SIZE	DWG. NO.
		B	SLCOR-136C-SM
		REV	SHEET
		0	1 OF 1

CORDIA RECEPTACLE, 36 GAL, CUMARU, SINGLE-STREAM, SURFACE MOUNT

8 7 6 5 4 3 2 1

D
C
B
A

D
C
B
A