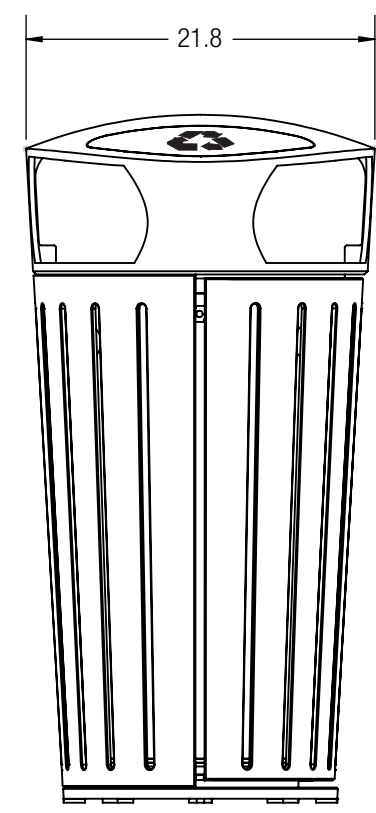
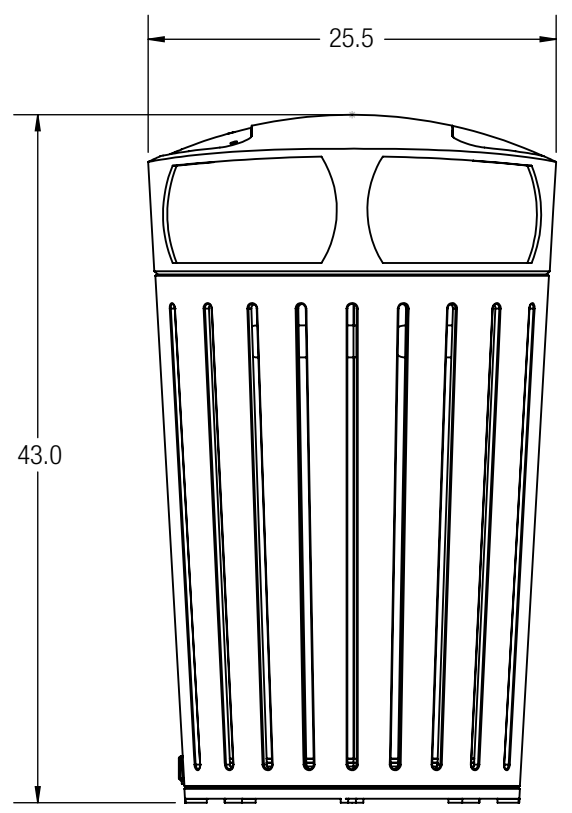
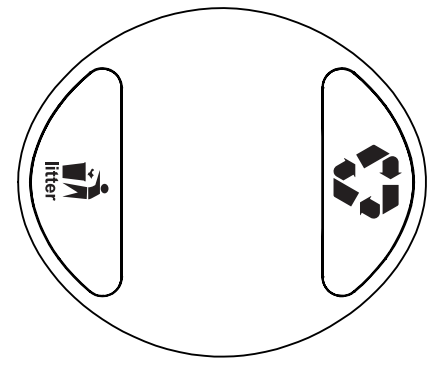


8 7 6 5 4 3 2 1

D
C
B
A

D
C
B
A



CUSTOMER APPROVAL:

X _____

DATE:

X _____

UNLESS OTHERWISE SPECIFIED,
DIMENSIONS ARE IN INCHES

TOLERANCES:
FRACTIONAL: $\pm 1/32$
ANGULAR: $\pm 1^\circ$
BEND $\pm 2^\circ$
TWO PLACE DECIMAL $\pm .030$
THREE PLACE DECIMAL $\pm .020$

MATERIAL: SEE DATA SHEET

FINISH: SEE DATA SHEET

WEIGHT: 112 LBS

SOURCE: M

SCALE: N.T.S.

FORMS+SURFACES® 30 Pine Street, Pittsburgh, PA 15223
Tel (800) 451-0410 Fax (412) 781-7840

DATE	
01/01/2011	
DO NOT SCALE DRAWING	
PROPRIETARY AND CONFIDENTIAL	
THE INFORMATION CONTAINED IN THIS DRAWING IS THE SOLE PROPERTY OF FORMS + SURFACES. ANY REPRODUCTION IN PART OR AS A WHOLE WITHOUT WRITTEN PERMISSION IS PROHIBITED.	

**DISPATCH RECEPTACLE - 36 GAL
(NO CONCRETE BASE)
SLDIS-136, SLDIS-216**

SIZE	DWG. NO.	REV	SHEET
B	SLDIS-36-TD	0	1 OF 1

8 7 6 5 4 3 2 1