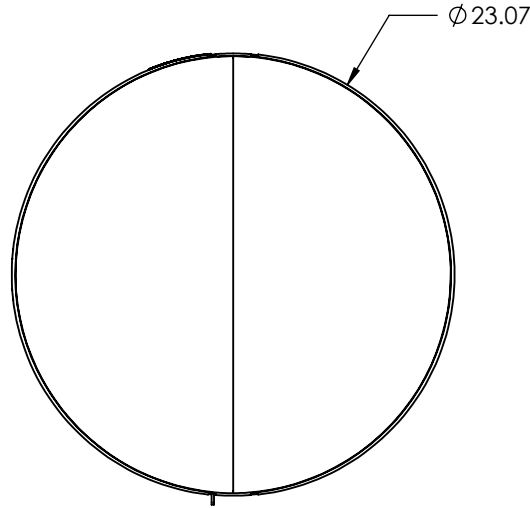
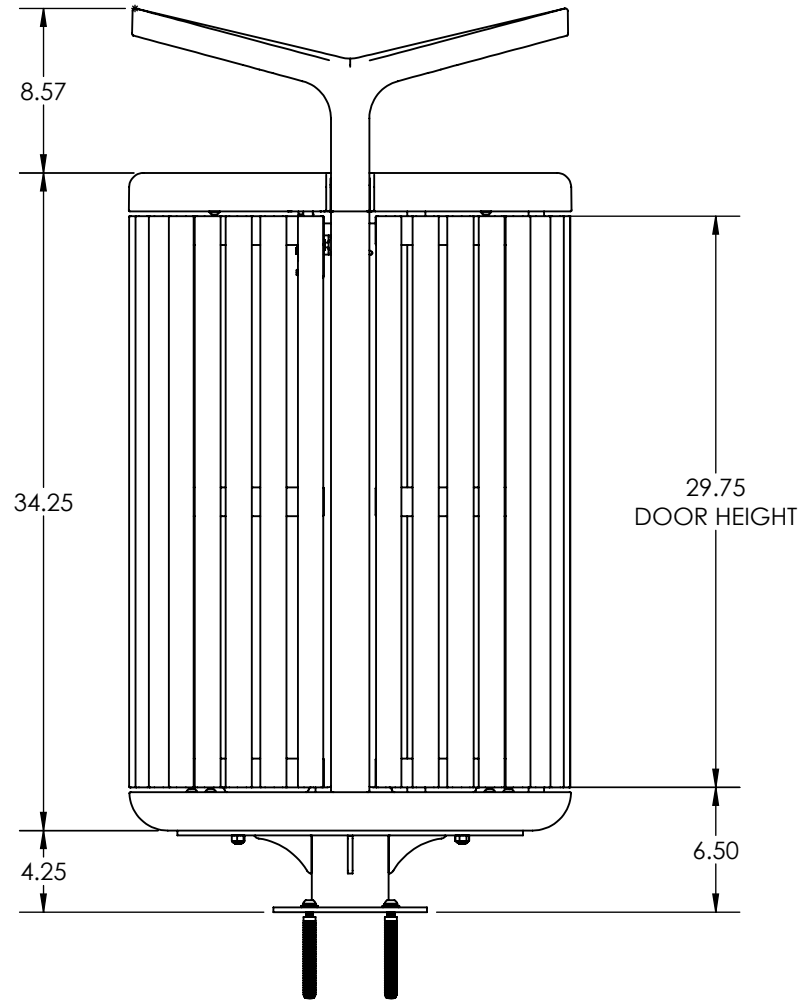


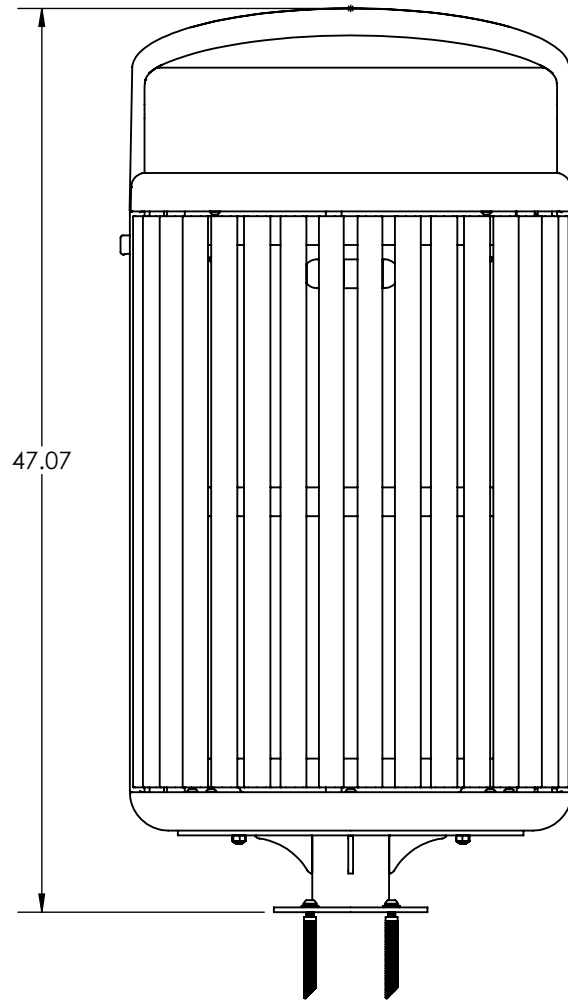
8 7 6 5 4 3 2 1



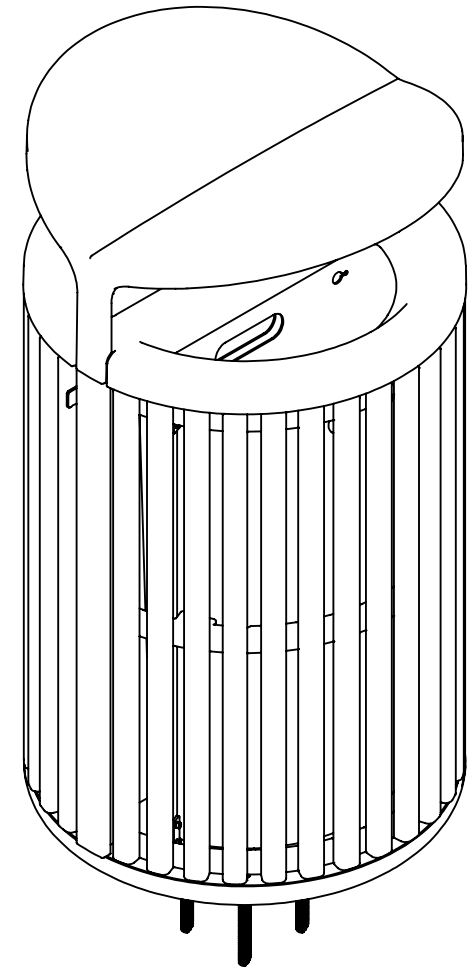
TOP VIEW



FRONT VIEW



SIDE VIEW



ISO VIEW

CUSTOMER APPROVAL:

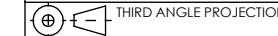
X _____

DATE:

X _____

UNLESS OTHERWISE SPECIFIED:

- 1. PRIMARY DIM. ARE IN INCHES & SECONDARY [DIM] IN MM
- 2. TOLERANCES
 FRACTIONAL: ±1/32; ANGULAR/BEND: ±1°
 TWO PLACE DECIMAL ±.030
 THREE PLACE DECIMAL ±.020
- 3. REMOVE ALL BURRS AND SHARP EDGES



MATERIAL: SEE DATA SHEET

FINISH: - SEE DATA SHEET

WEIGHT: - SEE DATA SHEET

SCALE: NOT TO SCALE



30 Pine Street, Pittsburgh, PA 15223
Tel (412) 781-9003 Fax (412) 385-4715

NAME	DATE
DWN ABM	11-25-2020
CHK MGJ	11-25-2020

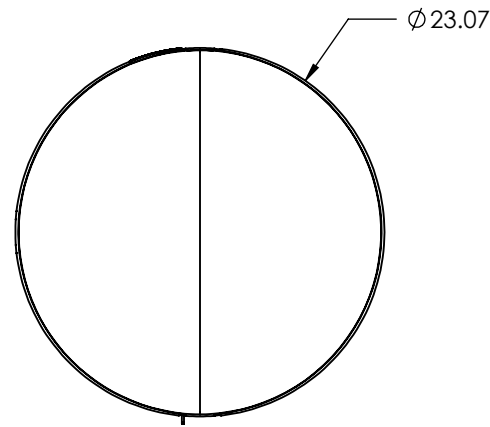
DO NOT SCALE DRAWING

PROPRIETARY AND CONFIDENTIAL
 THE INFORMATION CONTAINED IN THIS DRAWING IS THE SOLE PROPERTY OF FORMS + SURFACES. ANY REPRODUCTION IN PART OR AS A WHOLE WITHOUT WRITTEN PERMISSION IS PROHIBITED.

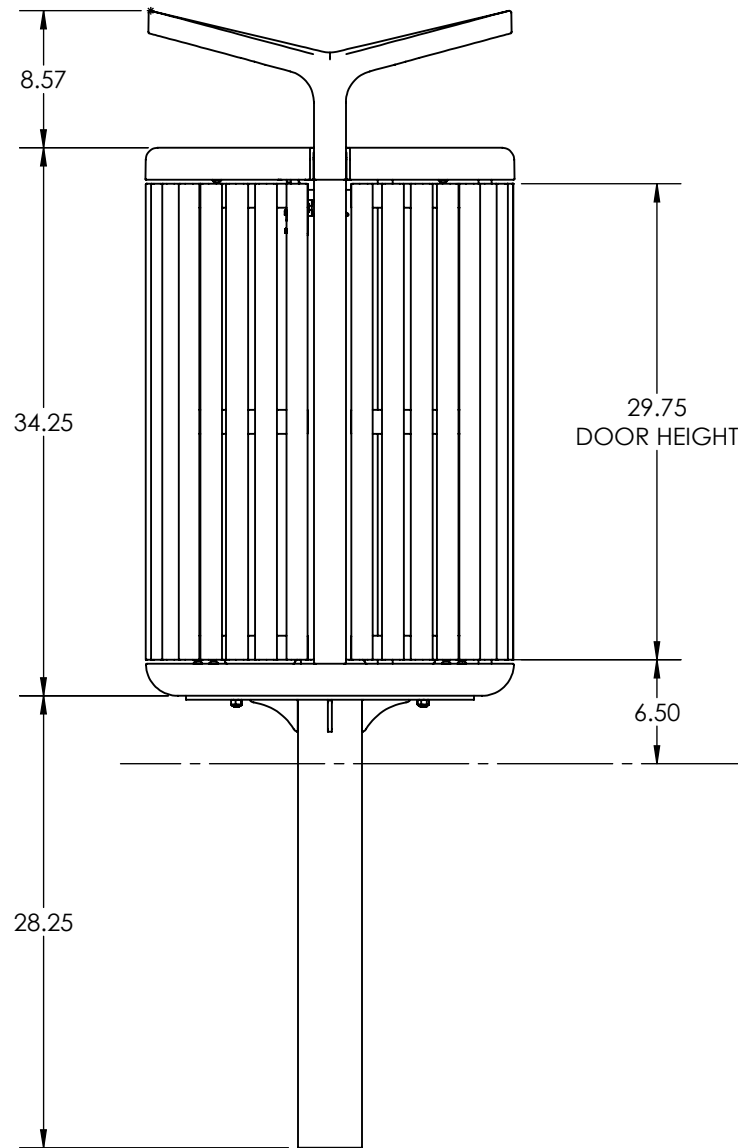
DESCRIPTION:			
SLTNO-215C,HAT,CUMARU,POLE			
SIZE	DWG. NO.	REV	SHEET
B	SLTNO-215C-POLE-CS	0	1 OF 1

8 7 6 5 4 3 2 1

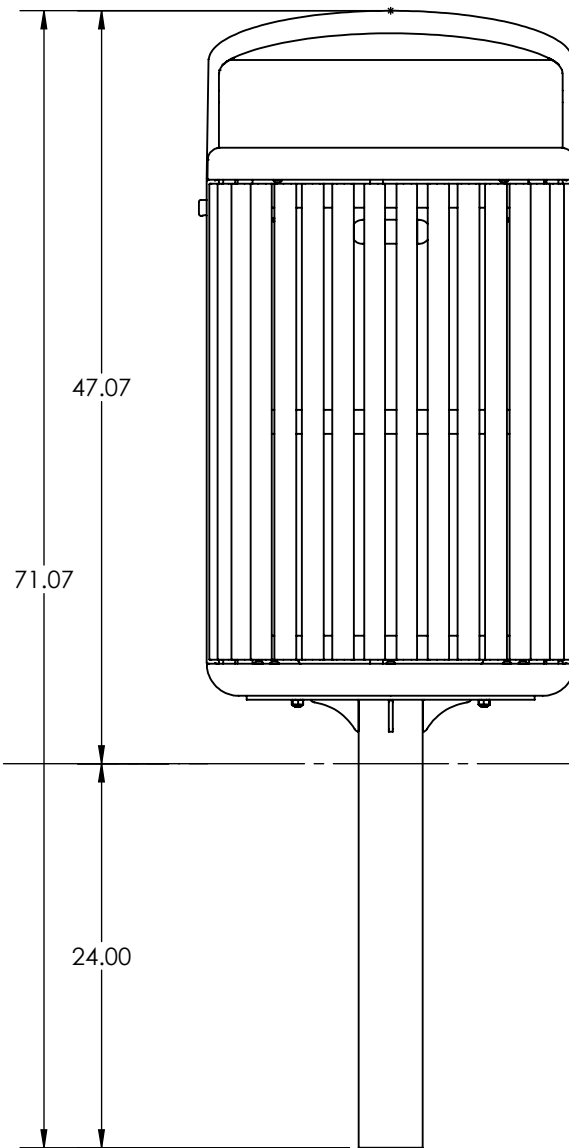
8 7 6 5 4 3 2 1



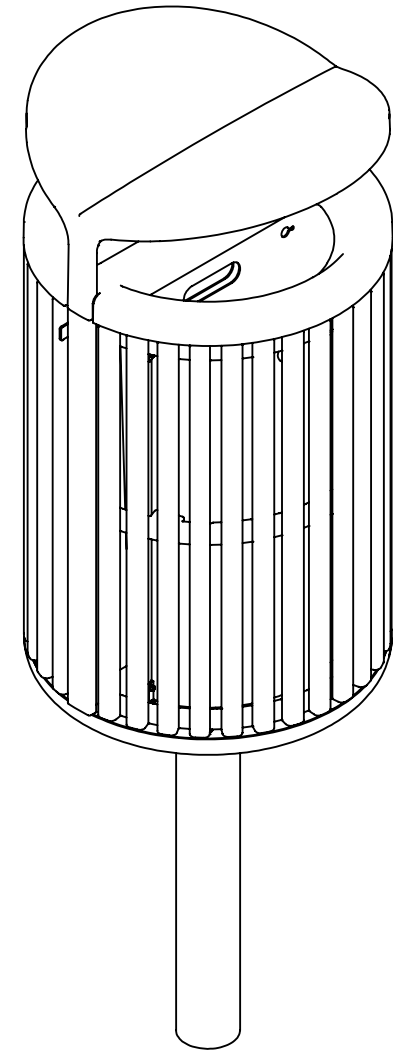
TOP VIEW



FRONT VIEW



SIDE VIEW



ISO VIEW

CUSTOMER APPROVAL:

X _____

DATE:

X _____

UNLESS OTHERWISE SPECIFIED:

- 1. PRIMARY DIM. ARE IN INCHES & SECONDARY [DIM] IN MM
- 2. TOLERANCES
 FRACTIONAL: ±1/32; ANGULAR/BEND: ±1°
 TWO PLACE DECIMAL ±.030
 THREE PLACE DECIMAL ±.020
 3. REMOVE ALL BURRS AND SHARP EDGES

THIRD ANGLE PROJECTION

MATERIAL: SEE DATA SHEET

FINISH: - SEE DATA SHEET

WEIGHT: - SEE DATA SHEET

SCALE: NOT TO SCALE



30 Pine Street, Pittsburgh, PA 15223
Tel (412) 781-9003 Fax (412) 385-4715

NAME	DATE
DWN ABM	11-25-2020
CHK MGJ	11-25-2020

DO NOT SCALE DRAWING

PROPRIETARY AND CONFIDENTIAL

THE INFORMATION CONTAINED IN THIS DRAWING IS THE SOLE PROPERTY OF FORMS + SURFACES. ANY REPRODUCTION IN PART OR AS A WHOLE WITHOUT WRITTEN PERMISSION IS PROHIBITED.

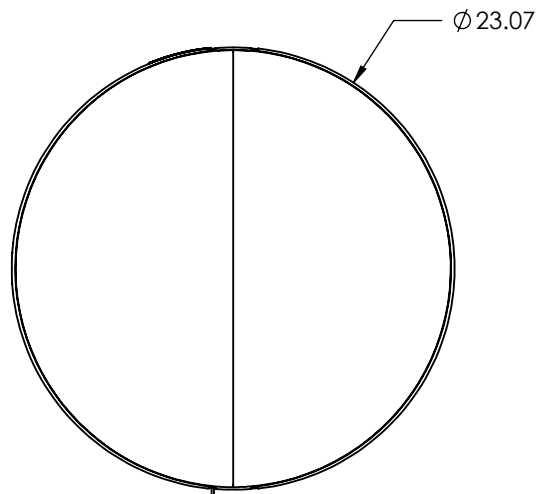
DESCRIPTION:			
SLTNO-215C,HAT,CUMARU,CAST			
SIZE	DWG. NO.	REV	SHEET
B	SLTNO-215C-CAST-CS	0	1 OF 1

8 7 6 5 4 3 2 1

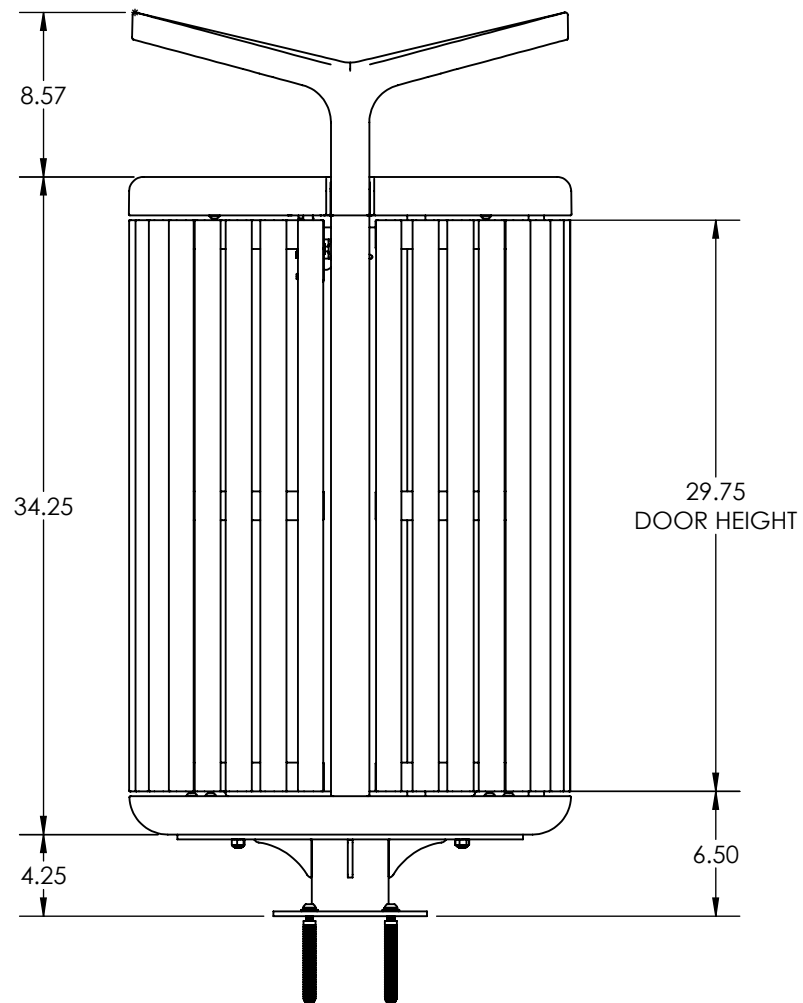
D
C
B
A

D
C
B
A

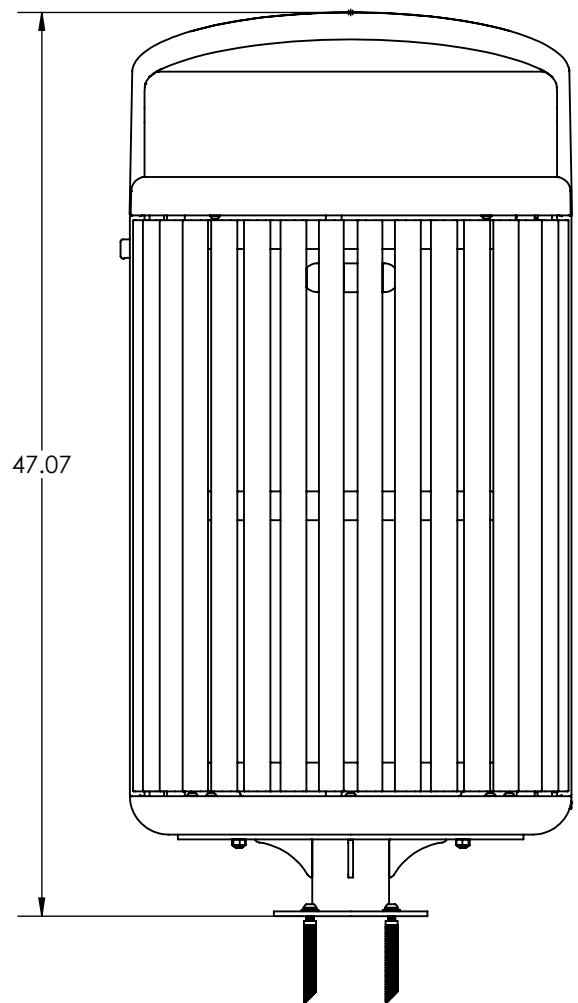
8 7 6 5 4 3 2 1



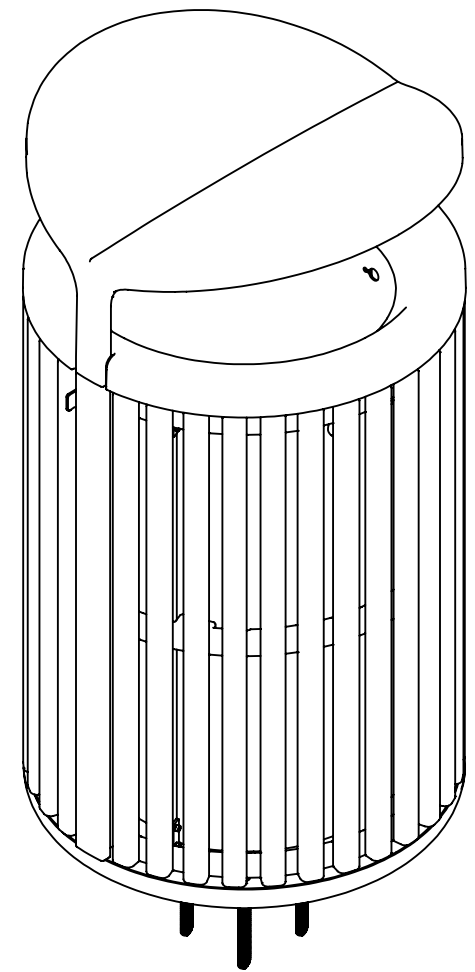
TOP VIEW



FRONT VIEW



SIDE VIEW



ISO VIEW

CUSTOMER APPROVAL:

X _____

DATE:

X _____

UNLESS OTHERWISE SPECIFIED:
 1. PRIMARY DIM. ARE IN INCHES & SECONDARY [DIM] IN MM
 2. TOLERANCES
 FRACTIONAL: ±1/32; ANGULAR/BEND: ±1°
 TWO PLACE DECIMAL ±.030
 THREE PLACE DECIMAL ±.020
 3. REMOVE ALL BURRS AND SHARP EDGES

THIRD ANGLE PROJECTION
 MATERIAL: SEE DATA SHEET
 FINISH: - SEE DATA SHEET
 WEIGHT: - SEE DATA SHEET
 SCALE: NOT TO SCALE



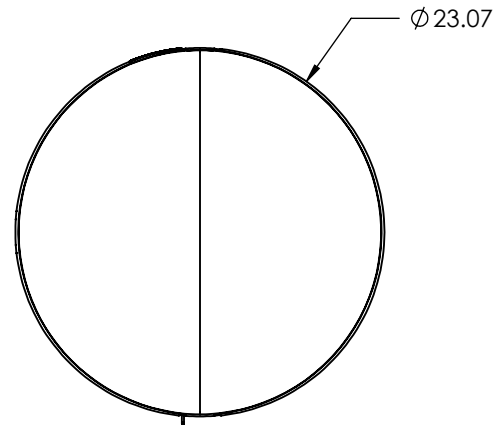
30 Pine Street, Pittsburgh, PA 15223
 Tel (412) 781-9003 Fax (412) 385-4715

NAME	DATE
DWN ABM	11-25-2020
CHK MGJ	11-25-2020

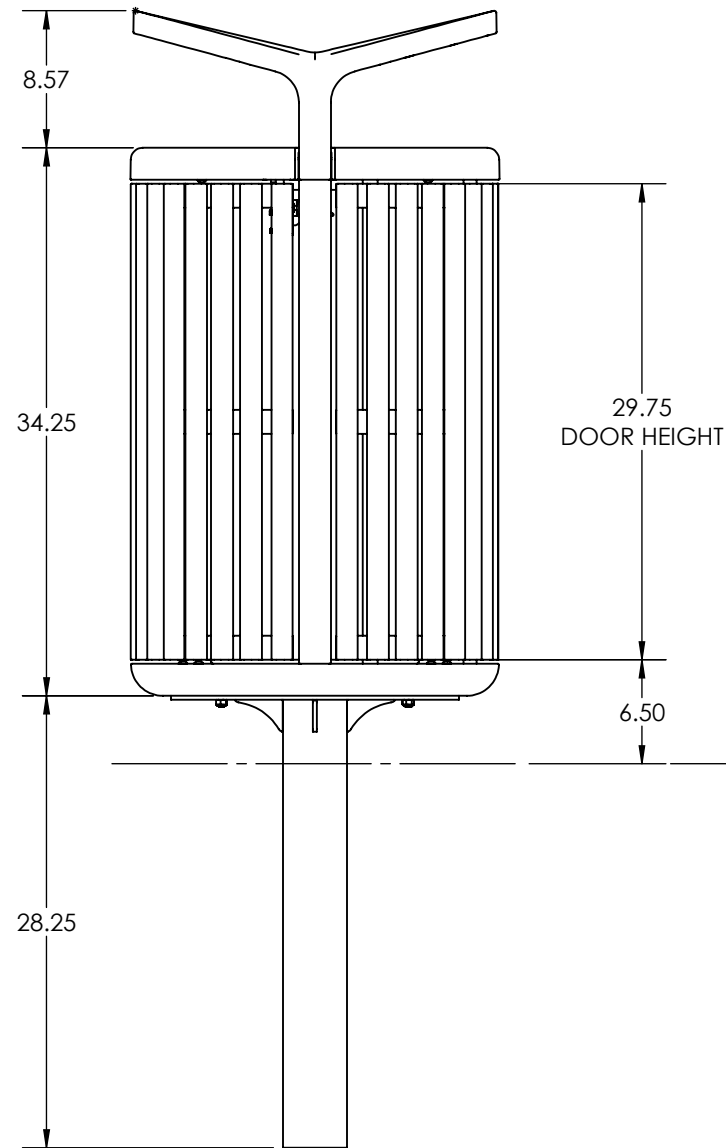
DESCRIPTION:			
SLTNO-130C,HAT,CUMARU,POLE			
SIZE	DWG. NO.	REV	SHEET
B	SLTNO-130C-POLE-CS	0	1 OF 1

8 7 6 5 4 3 2 1

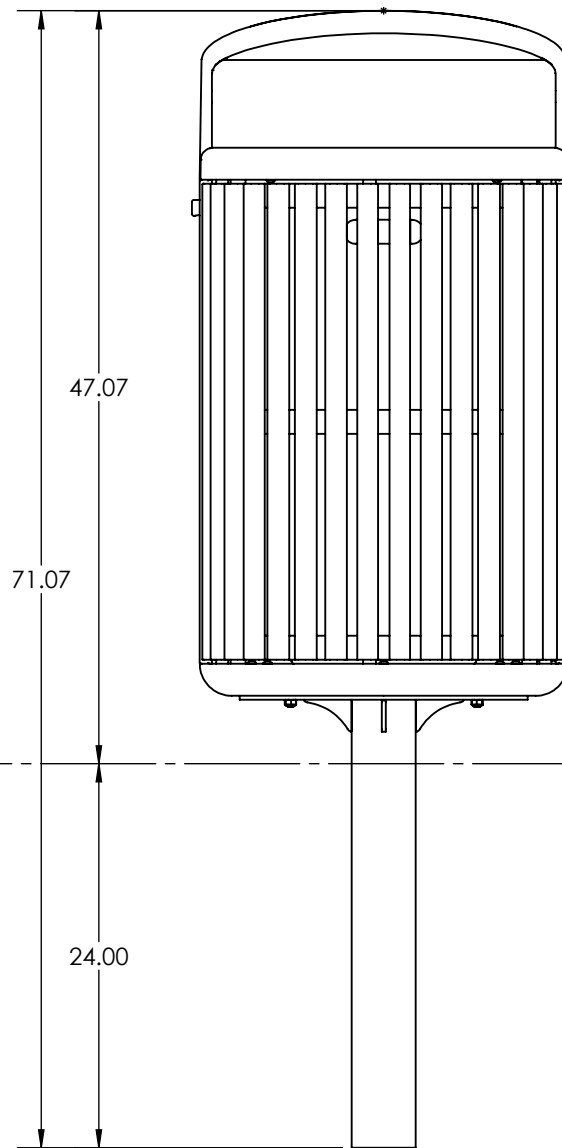
8 7 6 5 4 3 2 1



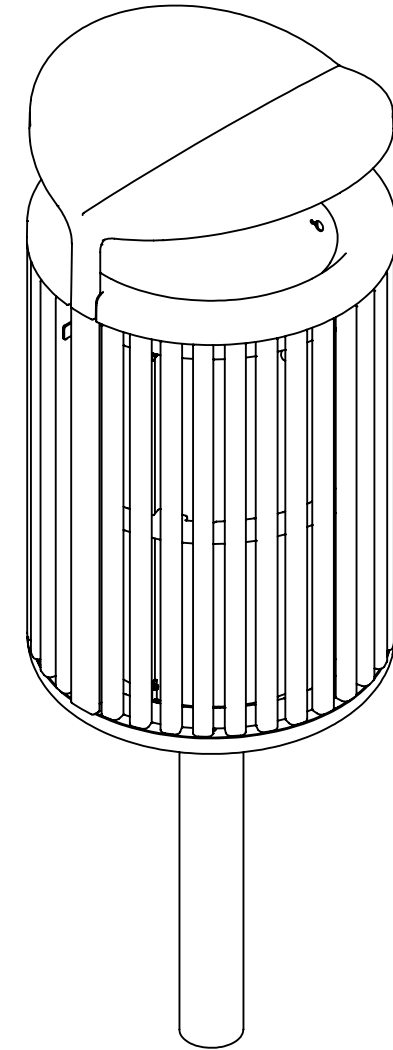
TOP VIEW



FRONT VIEW



SIDE VIEW



ISO VIEW

CUSTOMER APPROVAL:

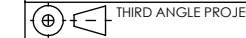
X _____

DATE:

X _____

UNLESS OTHERWISE SPECIFIED:

- 1. PRIMARY DIM. ARE IN INCHES & SECONDARY [DIM] IN MM
- 2. TOLERANCES
- FRACTIONAL: ±1/32; ANGULAR/BEND: ±1°
- TWO PLACE DECIMAL ±.030
- THREE PLACE DECIMAL ±.020
- 3. REMOVE ALL BURRS AND SHARP EDGES



THIRD ANGLE PROJECTION

MATERIAL: SEE DATA SHEET

FINISH: - SEE DATA SHEET

WEIGHT: - SEE DATA SHEET

SCALE: NOT TO SCALE



30 Pine Street, Pittsburgh, PA 15223
Tel (412) 781-9003 Fax (412) 385-4715

NAME	DATE
DWN ABM	11-25-2020
CHK MGJ	11-25-2020

DO NOT SCALE DRAWING

PROPRIETARY AND CONFIDENTIAL

THE INFORMATION CONTAINED IN THIS DRAWING IS THE SOLE PROPERTY OF FORMS + SURFACES. ANY REPRODUCTION IN PART OR AS A WHOLE WITHOUT WRITTEN PERMISSION IS PROHIBITED.

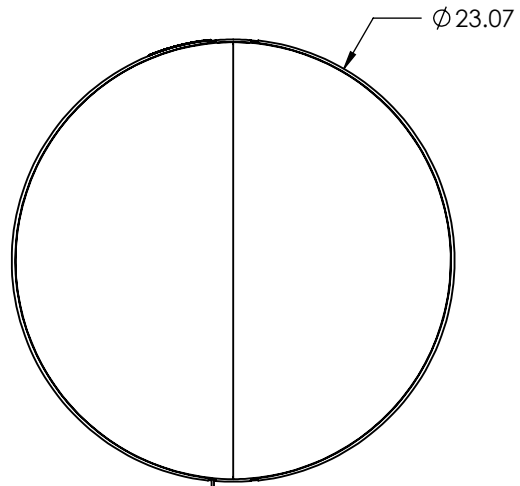
DESCRIPTION:			
SLTNO-130C,HAT,CUMARU,CAST			
SIZE	DWG. NO.	REV	SHEET
B	SLTNO-130C-CAST-CS	0	1 OF 1

8 7 6 5 4 3 2 1

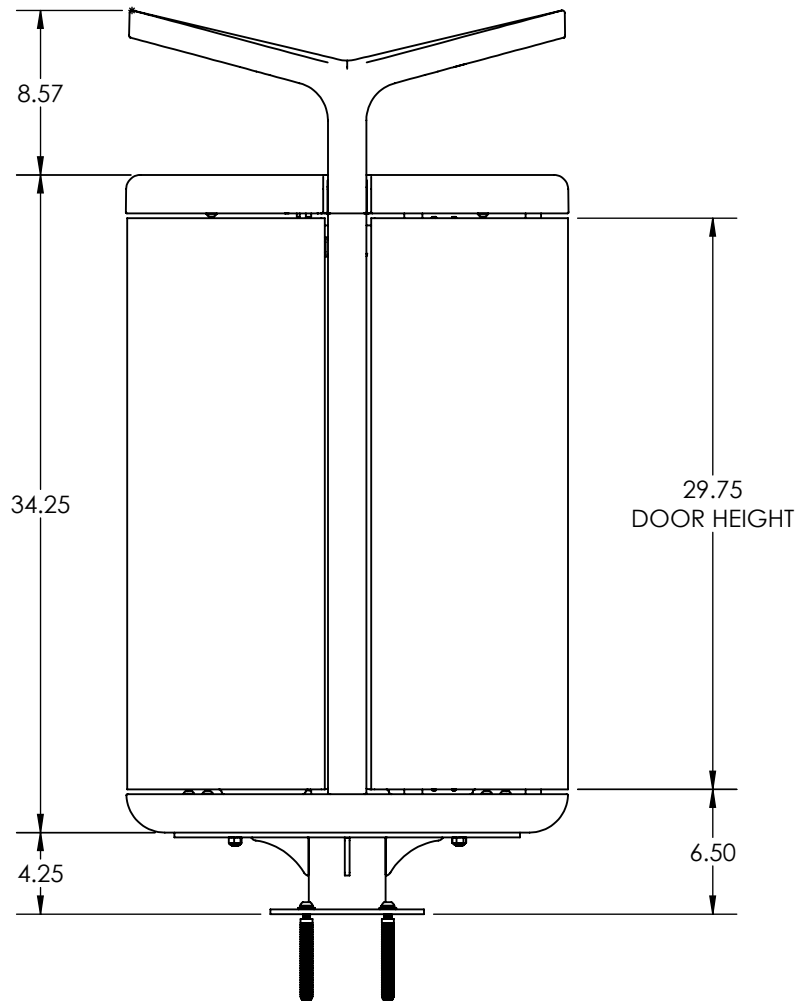
D
C
B
A

D
C
B
A

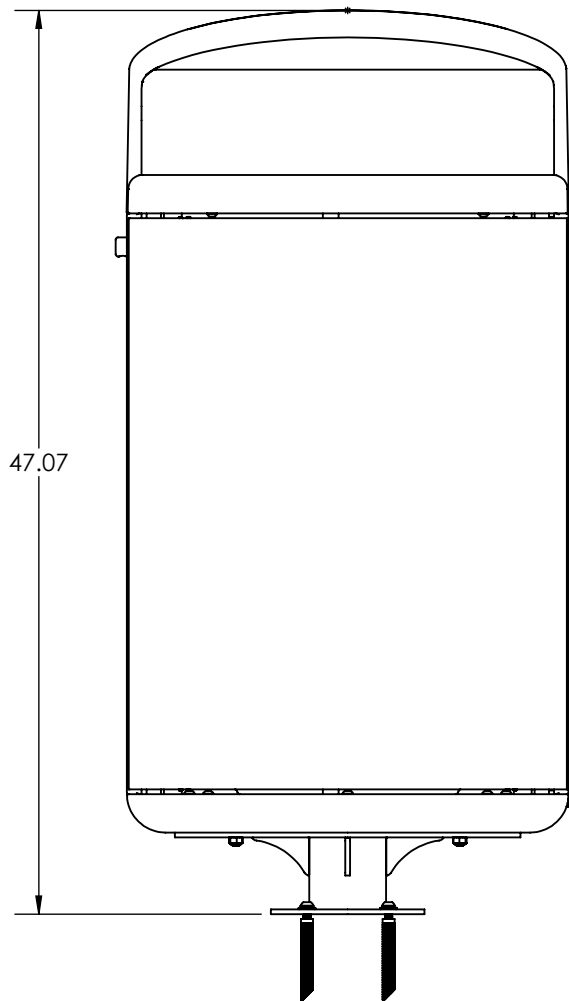
8 7 6 5 4 3 2 1



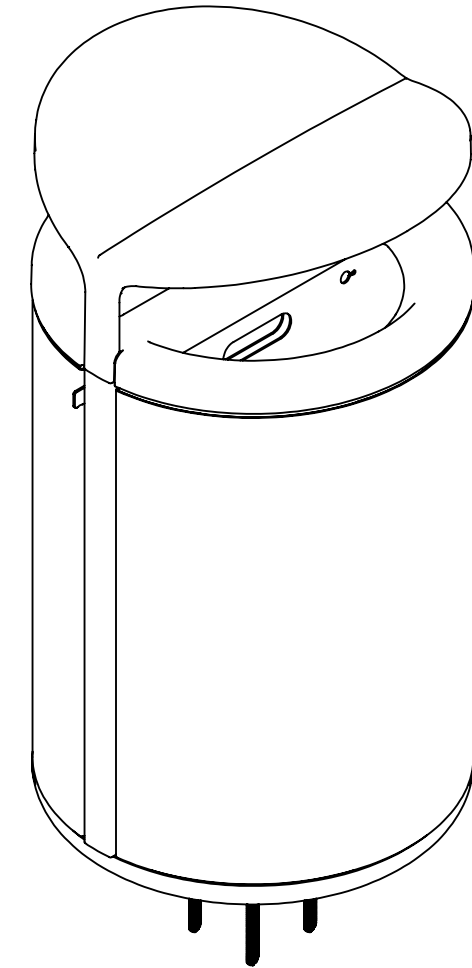
TOP VIEW



FRONT VIEW



SIDE VIEW



ISO VIEW

CUSTOMER APPROVAL:

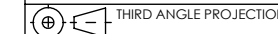
X _____

DATE:

X _____

UNLESS OTHERWISE SPECIFIED:

- 1. PRIMARY DIM. ARE IN INCHES & SECONDARY [DIM] IN MM
- 2. TOLERANCES
 FRACTIONAL: ±1/32; ANGULAR/BEND: ±1°
 TWO PLACE DECIMAL ±.030
 THREE PLACE DECIMAL ±.020
- 3. REMOVE ALL BURRS AND SHARP EDGES



MATERIAL: SEE DATA SHEET

FINISH: - SEE DATA SHEET

WEIGHT: - SEE DATA SHEET

SCALE: NOT TO SCALE



30 Pine Street, Pittsburgh, PA 15223
Tel (412) 781-9003 Fax (412) 385-4715

NAME	DATE
DWN ABM	11-25-2020
CHK MGJ	11-25-2020

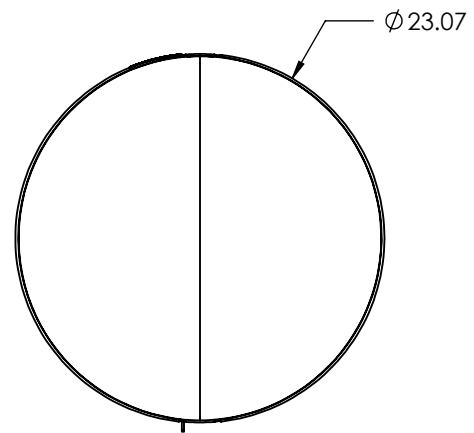
DO NOT SCALE DRAWING

PROPRIETARY AND CONFIDENTIAL
 THE INFORMATION CONTAINED IN THIS DRAWING IS THE SOLE PROPERTY OF FORMS + SURFACES. ANY REPRODUCTION IN PART OR AS A WHOLE WITHOUT WRITTEN PERMISSION IS PROHIBITED.

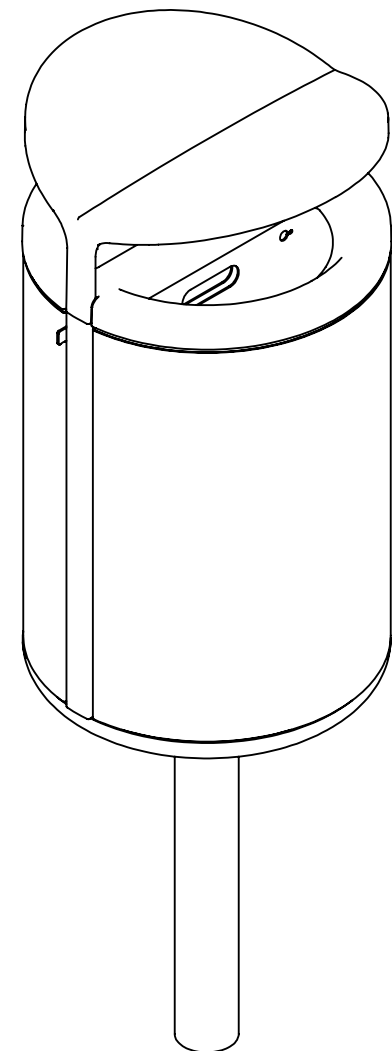
DESCRIPTION:			
SLTNO-215S,HAT,SST,SOL,POLE			
SIZE	DWG. NO.	REV	SHEET
B	SLTNO-215S-POLE-CS	0	1 OF 1

8 7 6 5 4 3 2 1

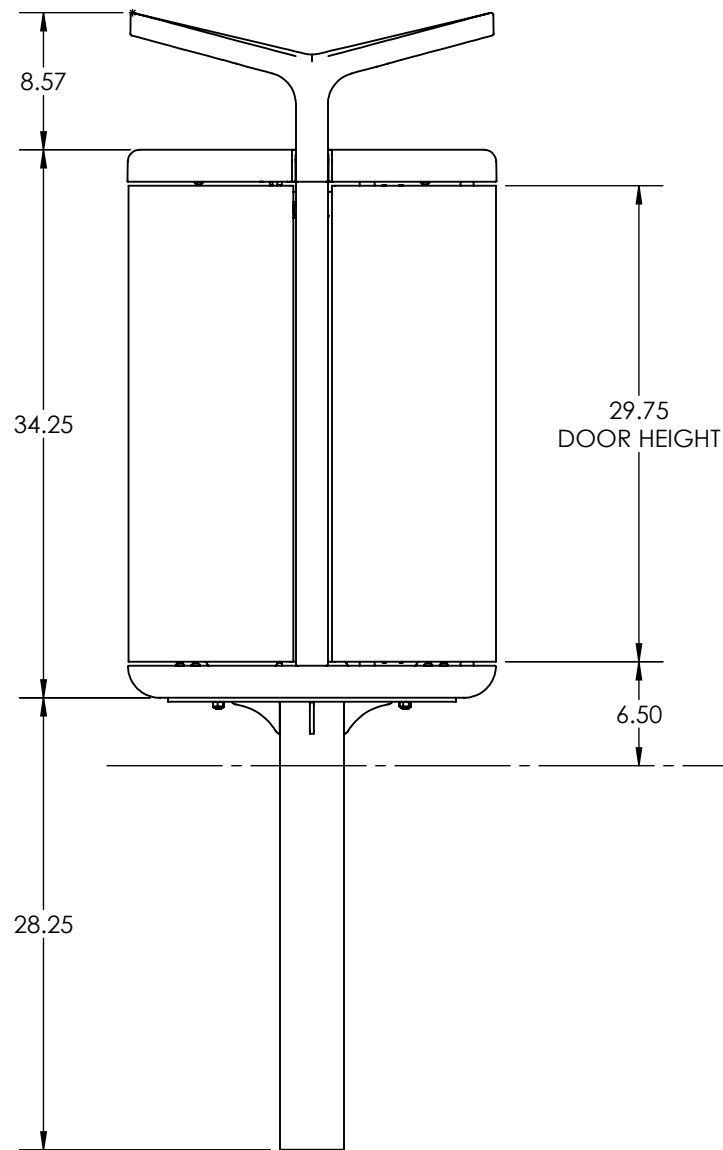
8 7 6 5 4 3 2 1



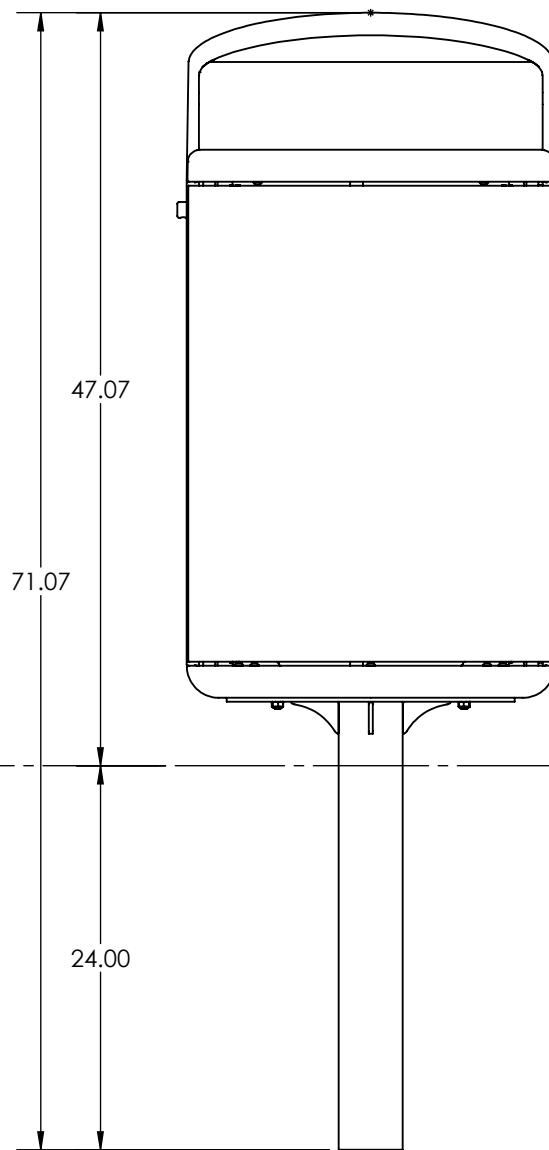
TOP VIEW



ISO VIEW



FRONT VIEW



SIDE VIEW

GROUND LEVEL

CUSTOMER APPROVAL:

X _____

DATE:

X _____

UNLESS OTHERWISE SPECIFIED:

- 1. PRIMARY DIM. ARE IN INCHES & SECONDARY [DIM] IN MM
- 2. TOLERANCES
 FRACTIONAL: ±1/32; ANGULAR/BEND: ±1°
 TWO PLACE DECIMAL ±.030
 THREE PLACE DECIMAL ±.020
 3. REMOVE ALL BURRS AND SHARP EDGES

THIRD ANGLE PROJECTION

MATERIAL: SEE DATA SHEET

FINISH: - SEE DATA SHEET

WEIGHT: - SEE DATA SHEET

SCALE: NOT TO SCALE



30 Pine Street, Pittsburgh, PA 15223
Tel (412) 781-9003 Fax (412) 385-4715

NAME	DATE
DWN ABM	11-25-2020
CHK MGJ	11-25-2020

DESCRIPTION:

SLTNO-215S,HAT,SST,SOL,CAST

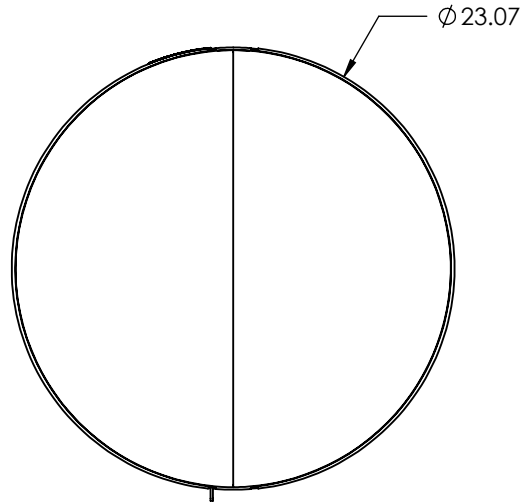
SIZE	DWG. NO.	REV	SHEET
B	SLTNO-215S-CAST-CS	0	1 OF 1

8 7 6 5 4 3 2 1

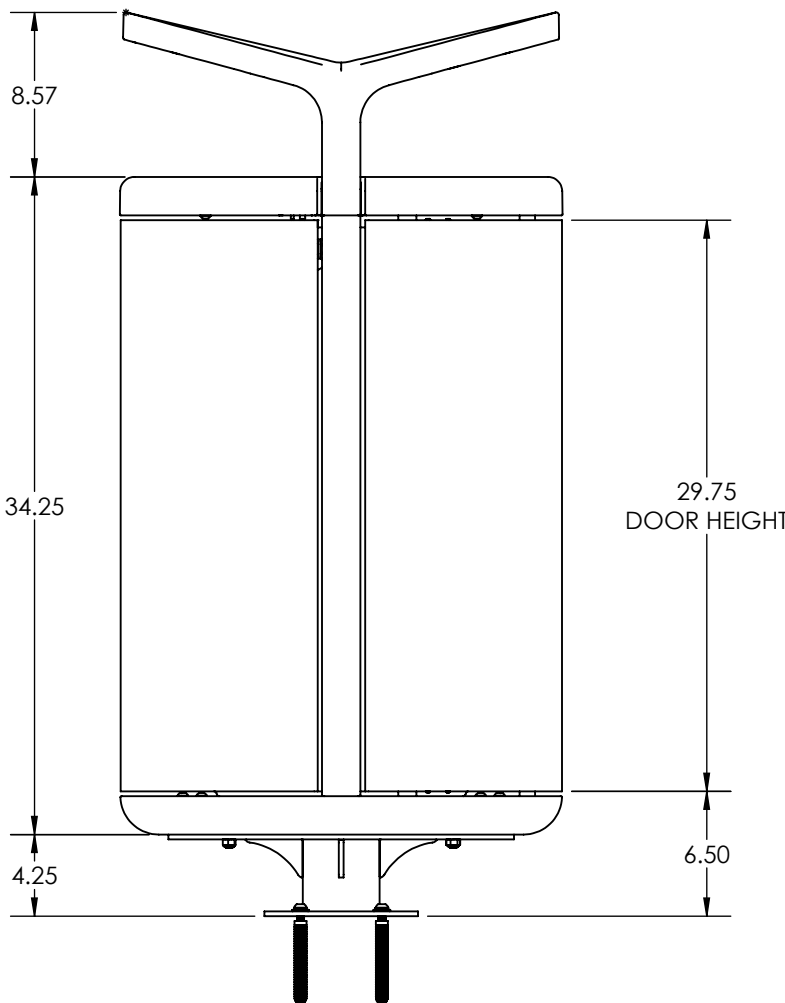
D
C
B
A

D
C
B
A

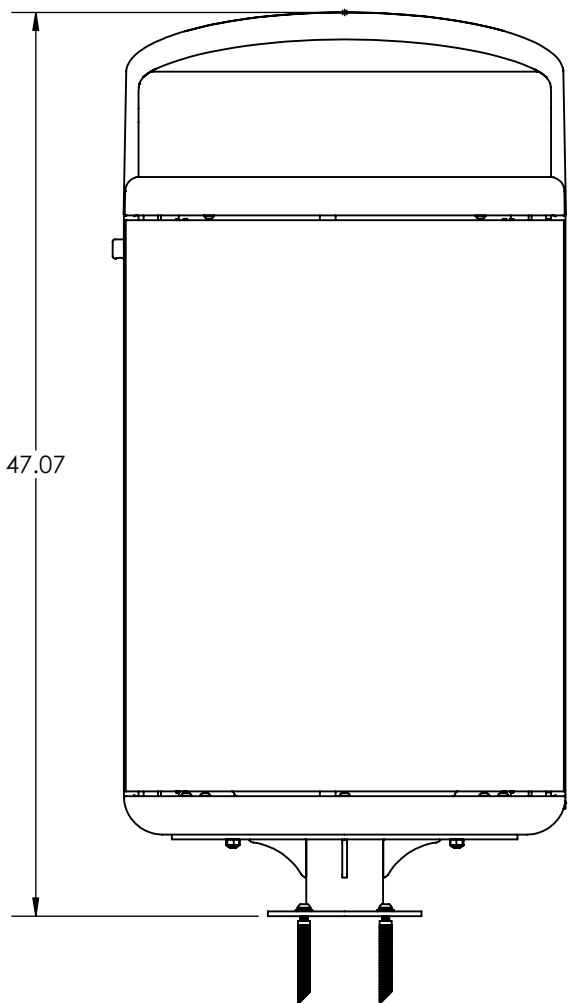
8 7 6 5 4 3 2 1



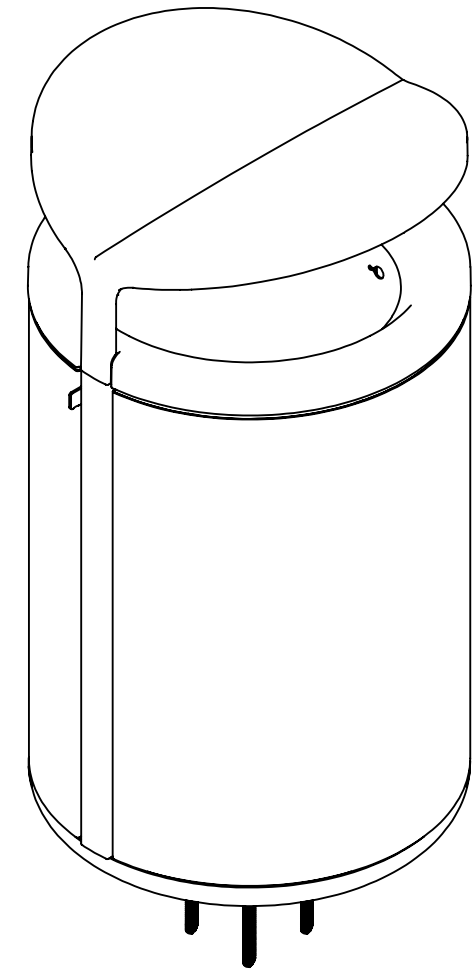
TOP VIEW



FRONT VIEW



SIDE VIEW



ISO VIEW

CUSTOMER APPROVAL:

X _____

DATE:

X _____

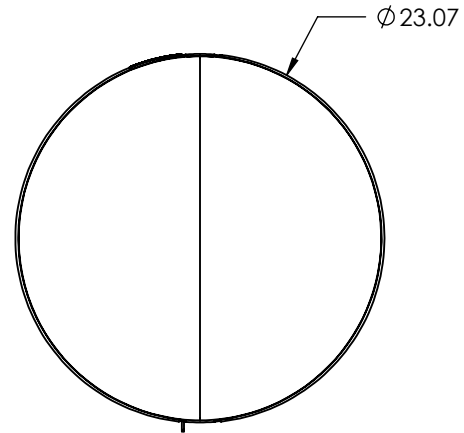
UNLESS OTHERWISE SPECIFIED: 1. PRIMARY DIM. ARE IN INCHES & SECONDARY [DIM] IN MM 2. TOLERANCES FRACTIONAL: ±1/32; ANGULAR/BEND: ±1° TWO PLACE DECIMAL ±.030 THREE PLACE DECIMAL ±.020 3. REMOVE ALL BURRS AND SHARP EDGES				FORMS+SURFACES 30 Pine Street, Pittsburgh, PA 15223 Tel (412) 781-9003 Fax (412) 385-4715	
NAME	DATE	DESCRIPTION:			
DWN	ABM 11-25-2020	SLTNO-130S,HAT,SST,SOL,POLE			
CHK	MGJ 11-25-2020				
MATERIAL: SEE DATA SHEET		DO NOT SCALE DRAWING		SIZE	DWG. NO.
FINISH: - SEE DATA SHEET		PROPRIETARY AND CONFIDENTIAL THE INFORMATION CONTAINED IN THIS DRAWING IS THE SOLE PROPERTY OF FORMS + SURFACES. ANY REPRODUCTION IN PART OR AS A WHOLE WITHOUT WRITTEN PERMISSION IS PROHIBITED.		B	SLTNO-130S-POLE-CS
WEIGHT: - SEE DATA SHEET				REV	SHEET
SCALE: NOT TO SCALE				0	1 OF 1

8 7 6 5 4 3 2 1

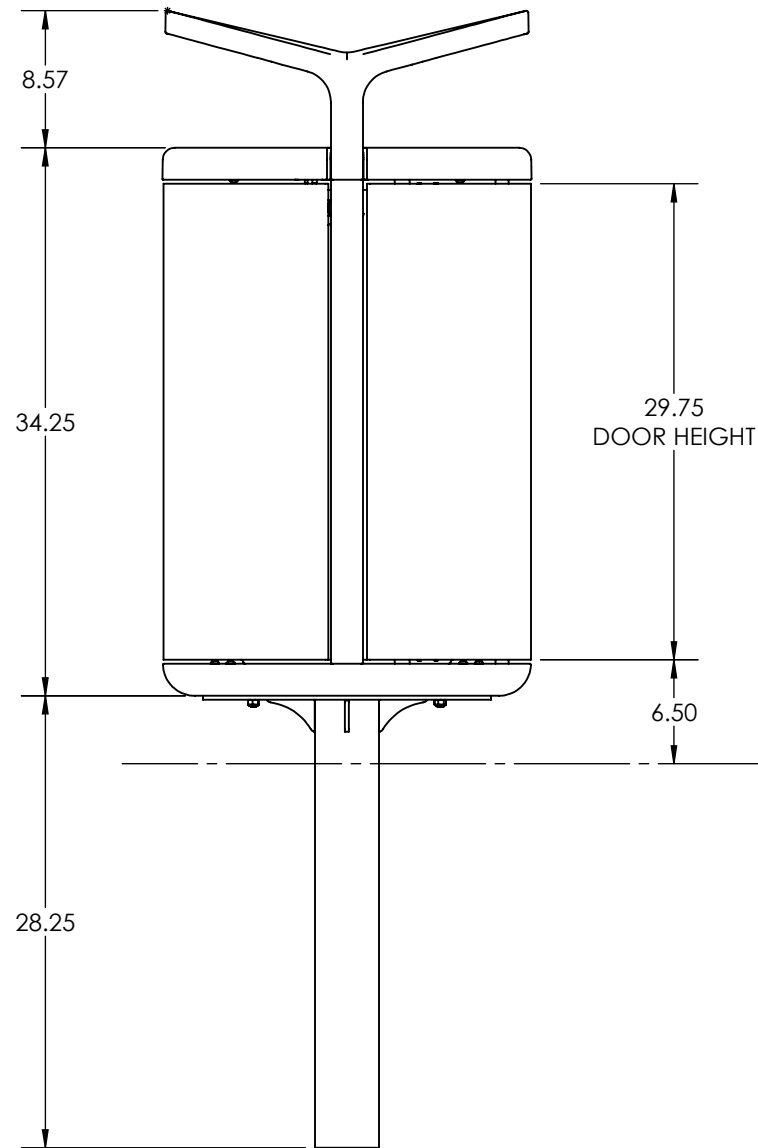
D
C
B
A

D
C
B
A

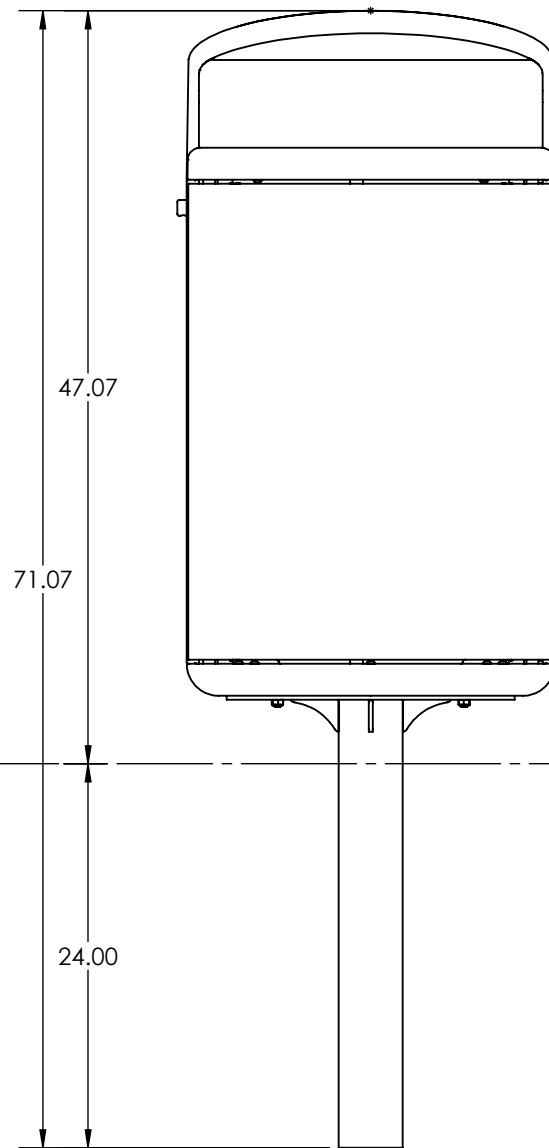
8 7 6 5 4 3 2 1



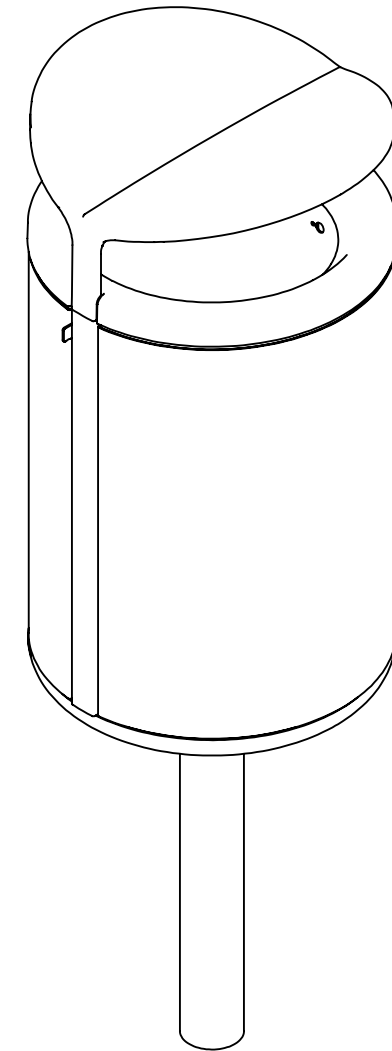
TOP VIEW



FRONT VIEW



SIDE VIEW



ISO VIEW

CUSTOMER APPROVAL:

X _____

DATE:

X _____

UNLESS OTHERWISE SPECIFIED:

- 1. PRIMARY DIM. ARE IN INCHES & SECONDARY [DIM] IN MM
- 2. TOLERANCES
- FRACTIONAL: ±1/32; ANGULAR/BEND: ±1°
- TWO PLACE DECIMAL ±.030
- THREE PLACE DECIMAL ±.020
- 3. REMOVE ALL BURRS AND SHARP EDGES

THIRD ANGLE PROJECTION

MATERIAL: SEE DATA SHEET

FINISH: - SEE DATA SHEET

WEIGHT: - SEE DATA SHEET

SCALE: NOT TO SCALE



30 Pine Street, Pittsburgh, PA 15223
Tel (412) 781-9003 Fax (412) 385-4715

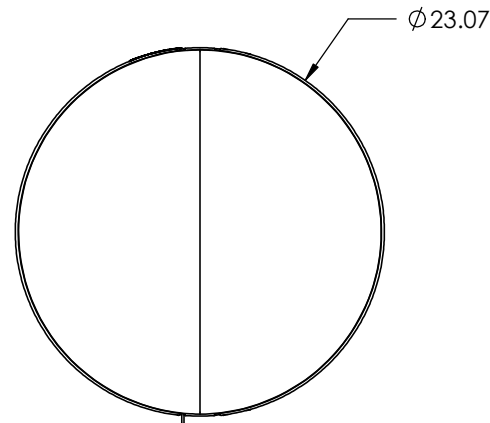
NAME	DATE
DWN ABM	11-25-2020
CHK MGJ	11-25-2020

DO NOT SCALE DRAWING

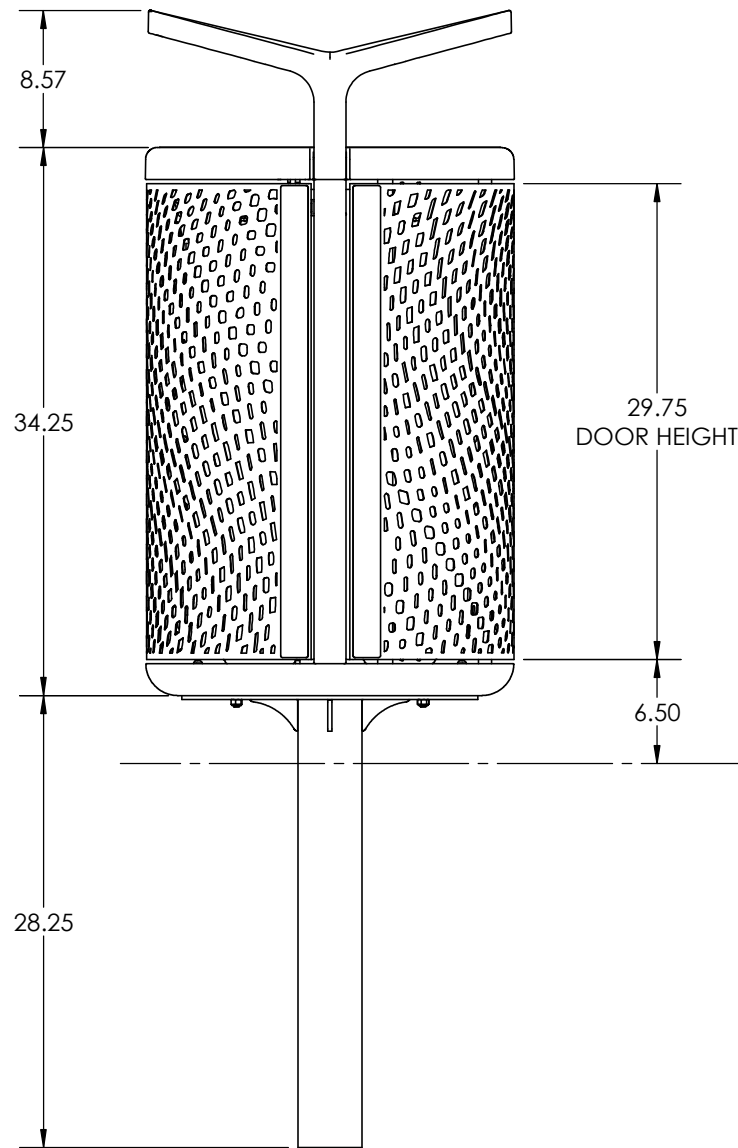
PROPRIETARY AND CONFIDENTIAL
THE INFORMATION CONTAINED IN THIS DRAWING IS THE SOLE PROPERTY OF FORMS + SURFACES. ANY REPRODUCTION IN PART OR AS A WHOLE WITHOUT WRITTEN PERMISSION IS PROHIBITED.

DESCRIPTION:			
SLTNO-130S,HAT,SST,SOL,CAST			
SIZE	DWG. NO.	REV	SHEET
B	SLTNO-130S-CAST-CS	0	1 OF 1

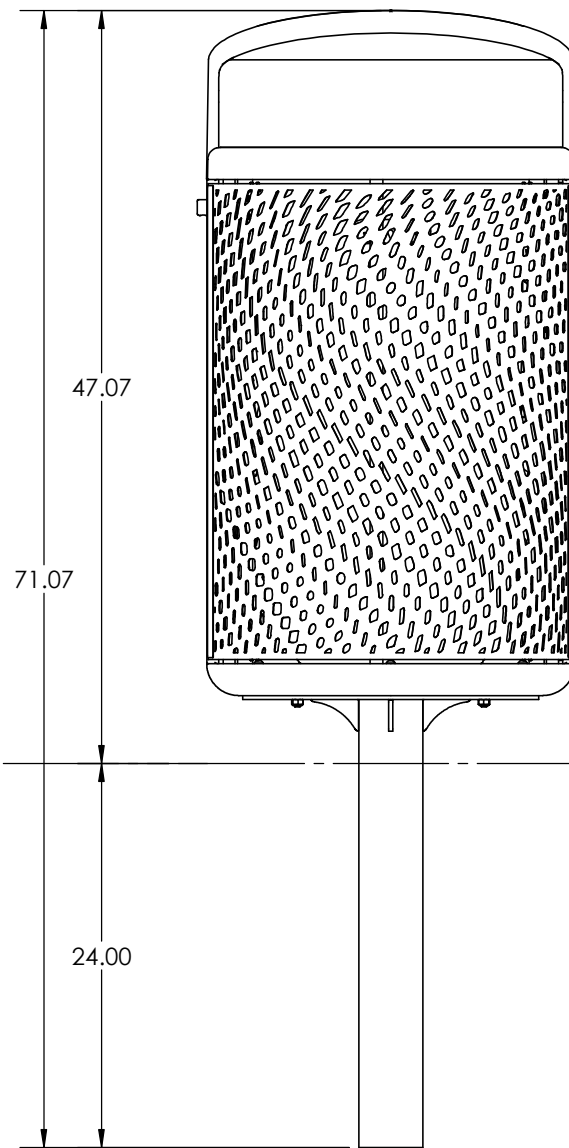
8 7 6 5 4 3 2 1



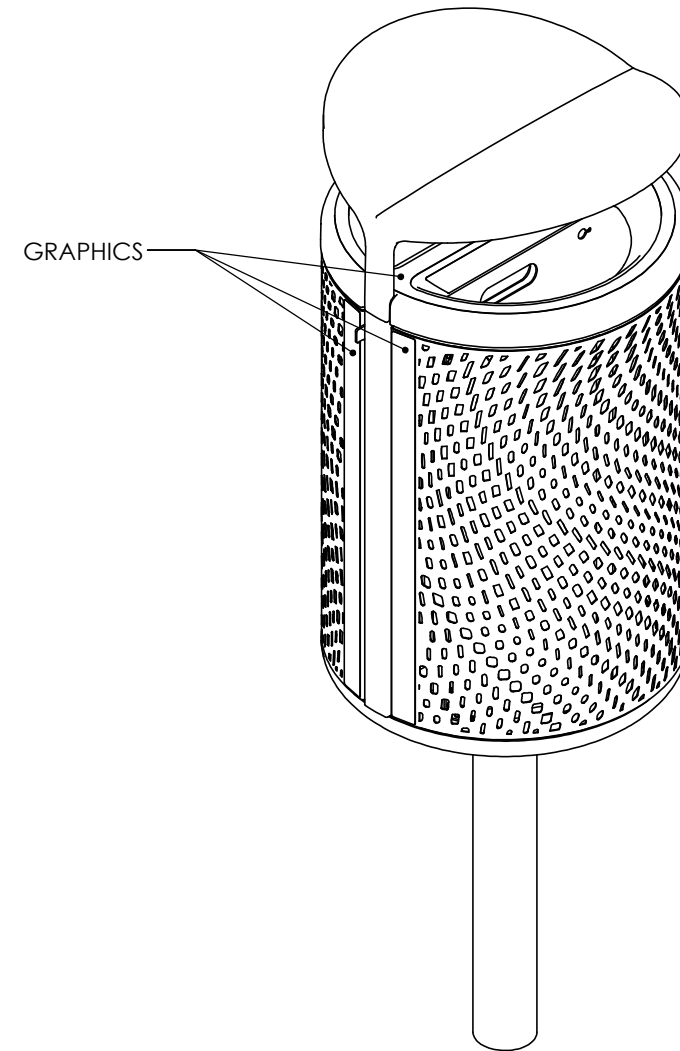
TOP VIEW



FRONT VIEW



SIDE VIEW



ISO VIEW

CUSTOMER APPROVAL:

X _____

DATE:

X _____

UNLESS OTHERWISE SPECIFIED:

- 1. PRIMARY DIM. ARE IN INCHES & SECONDARY [DIM] IN MM
- 2. TOLERANCES
 FRACTIONAL: ±1/32; ANGULAR/BEND: ±1°
 TWO PLACE DECIMAL ±.030
 THREE PLACE DECIMAL ±.020
 3. REMOVE ALL BURRS AND SHARP EDGES



MATERIAL: SEE DATA SHEET

FINISH: - SEE DATA SHEET

WEIGHT: - SEE DATA SHEET

SCALE: NOT TO SCALE



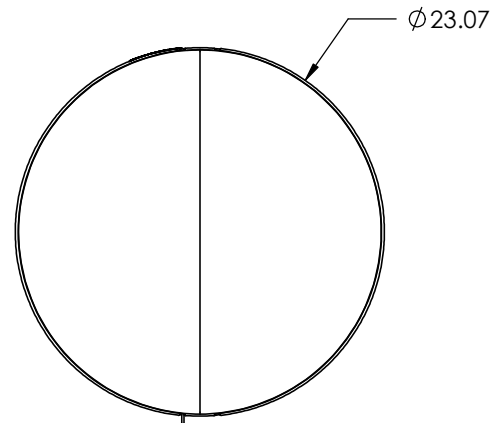
30 Pine Street, Pittsburgh, PA 15223
Tel (412) 781-9003 Fax (412) 385-4715

NAME	DATE
DWN LJK	10/28/2021
CHK MGJ	10/28/2021

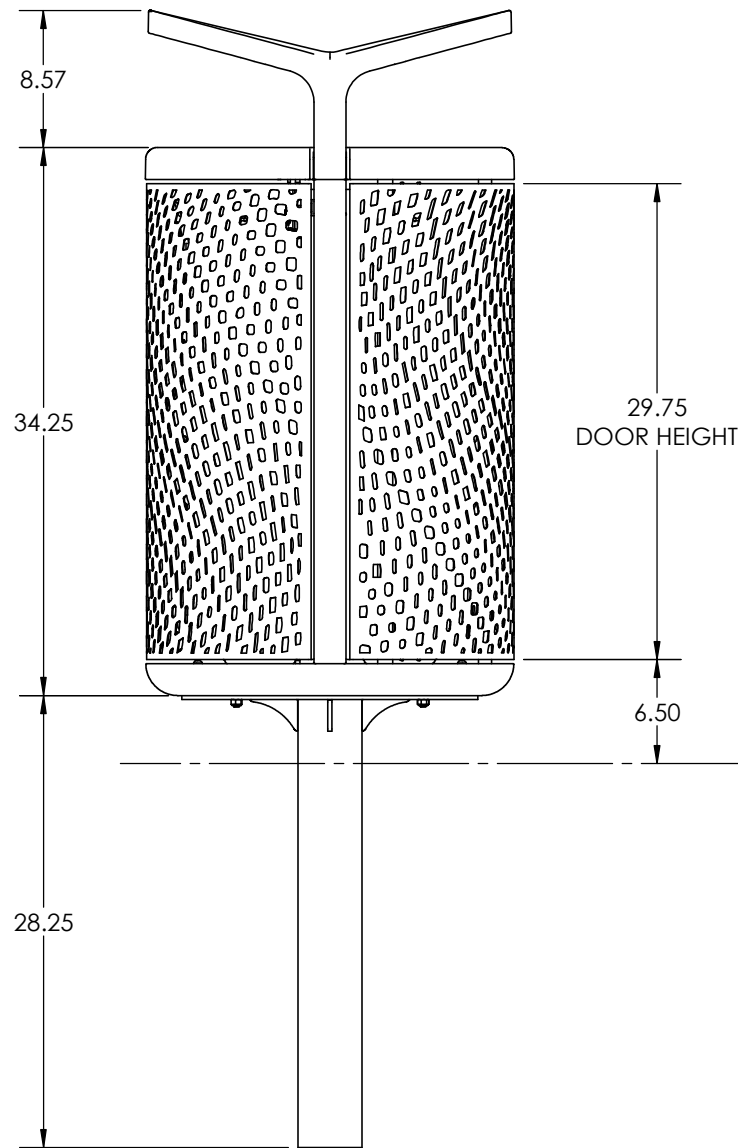
DO NOT SCALE DRAWING

PROPRIETARY AND CONFIDENTIAL
 THE INFORMATION CONTAINED IN THIS DRAWING IS THE SOLE PROPERTY OF FORMS + SURFACES. ANY REPRODUCTION IN PART OR AS A WHOLE WITHOUT WRITTEN PERMISSION IS PROHIBITED.

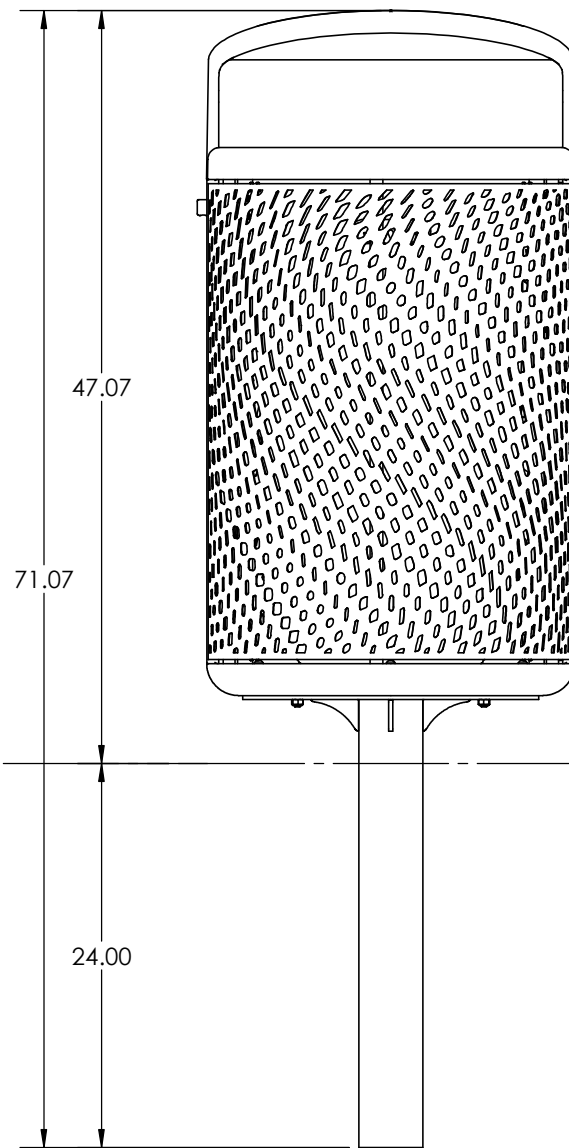
DESCRIPTION:			
TONYO RECEPTACLE, WARP PERFORATION			
SLTNO-215S,HAT,SST,WARP,GRPH,CAST			
SIZE	DWG. NO.	REV	SHEET
B	SLTNO-215S-HAT-WARP-GRPH-CS	0	1 OF 1



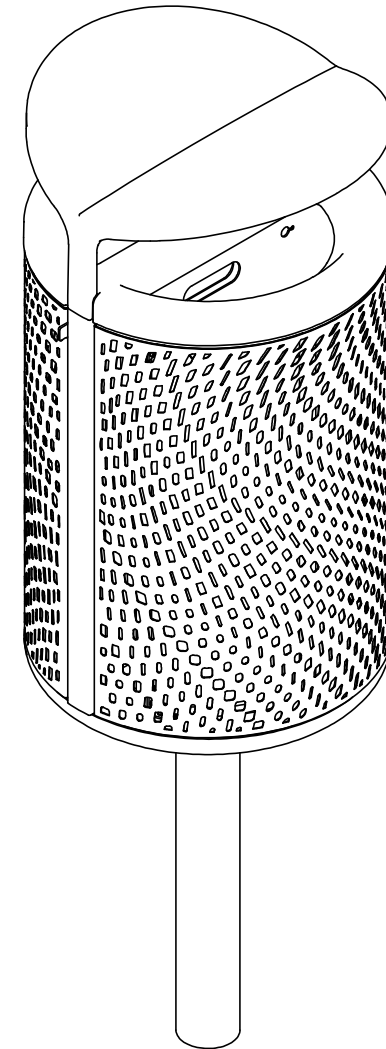
TOP VIEW



FRONT VIEW



SIDE VIEW



ISO VIEW

CUSTOMER APPROVAL:

X _____

DATE:

X _____

UNLESS OTHERWISE SPECIFIED:

- 1. PRIMARY DIM. ARE IN INCHES & SECONDARY [DIM] IN MM
- 2. TOLERANCES
 FRACTIONAL: ±1/32; ANGULAR/BEND: ±1°
 TWO PLACE DECIMAL ±.030
 THREE PLACE DECIMAL ±.020
- 3. REMOVE ALL BURRS AND SHARP EDGES



MATERIAL: SEE DATA SHEET

FINISH: - SEE DATA SHEET

WEIGHT: - SEE DATA SHEET

SCALE: NOT TO SCALE

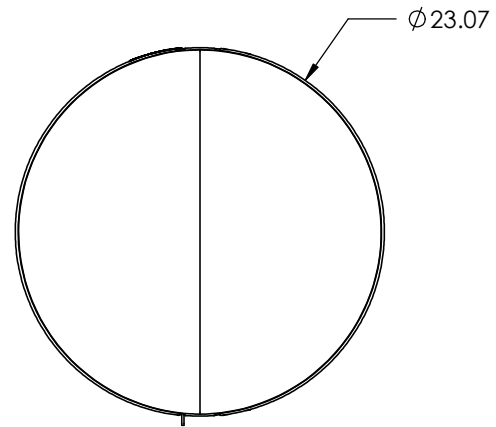


NAME	DATE
DWN LJK	10/28/2021
CHK MGJ	10/28/2021

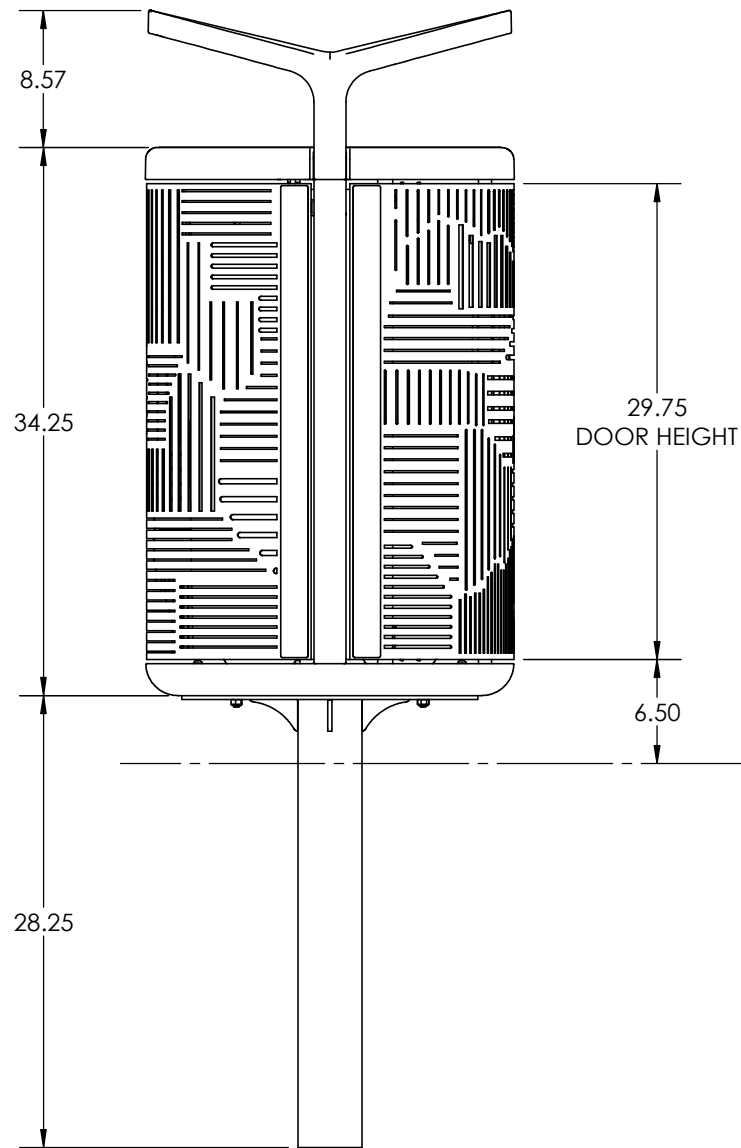
DO NOT SCALE DRAWING

PROPRIETARY AND CONFIDENTIAL
 THE INFORMATION CONTAINED IN THIS DRAWING IS THE SOLE PROPERTY OF FORMS + SURFACES. ANY REPRODUCTION IN PART OR AS A WHOLE WITHOUT WRITTEN PERMISSION IS PROHIBITED.

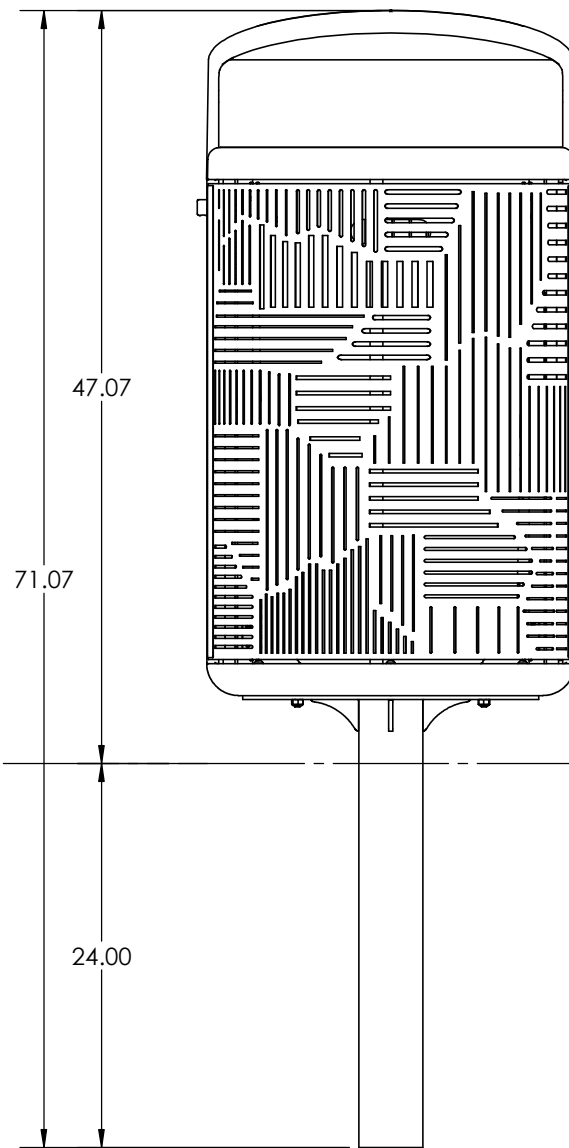
DESCRIPTION:			
TONYO RECEPTACLE, WARP PERFORATION			
SLTNO-215S,HAT,SST,WARP,CAST			
SIZE	DWG. NO.	REV	SHEET
B	SLTNO-215S-HAT-WARP-CS	0	1 OF 1



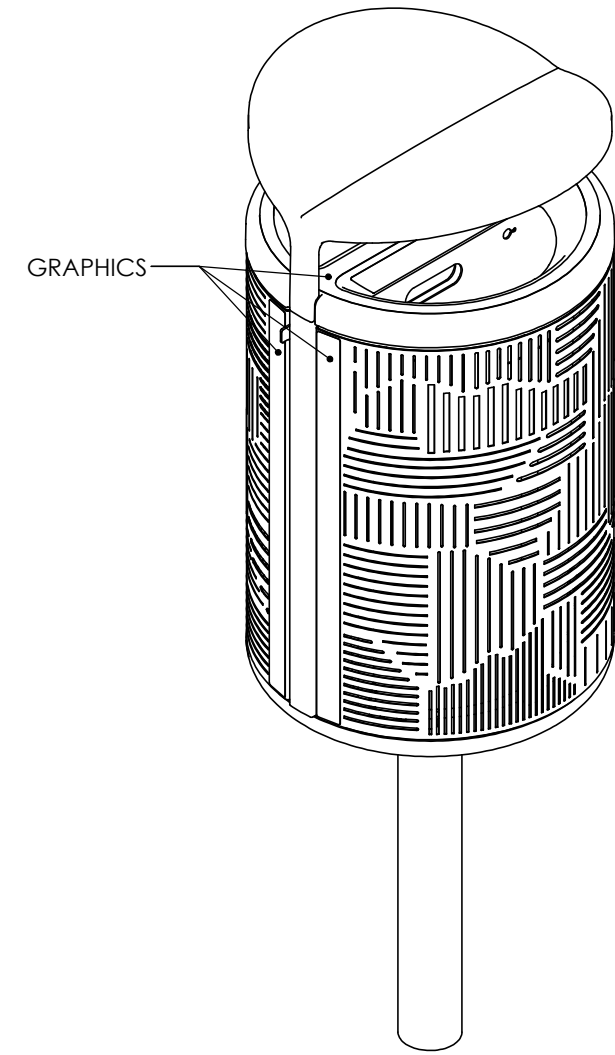
TOP VIEW



FRONT VIEW



SIDE VIEW



ISO VIEW

CUSTOMER APPROVAL:

X _____

DATE:

X _____

UNLESS OTHERWISE SPECIFIED:

- 1. PRIMARY DIM. ARE IN INCHES & SECONDARY [DIM] IN MM
- 2. TOLERANCES
- FRACTIONAL: $\pm 1/32$; ANGULAR/BEND: $\pm 1^\circ$
- TWO PLACE DECIMAL $\pm .030$
- THREE PLACE DECIMAL $\pm .020$
- 3. REMOVE ALL BURRS AND SHARP EDGES



MATERIAL: SEE DATA SHEET

FINISH: - SEE DATA SHEET

WEIGHT: - SEE DATA SHEET

SCALE: NOT TO SCALE



30 Pine Street, Pittsburgh, PA 15223
Tel (412) 781-9003 Fax (412) 385-4715

NAME	DATE
DWN DEF	11/3/2021
CHK	

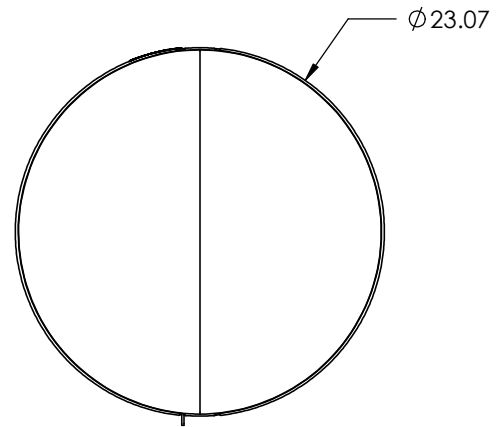
DO NOT SCALE DRAWING

PROPRIETARY AND CONFIDENTIAL
THE INFORMATION CONTAINED IN THIS DRAWING IS THE SOLE PROPERTY OF FORMS + SURFACES. ANY REPRODUCTION IN PART OR AS A WHOLE WITHOUT WRITTEN PERMISSION IS PROHIBITED.

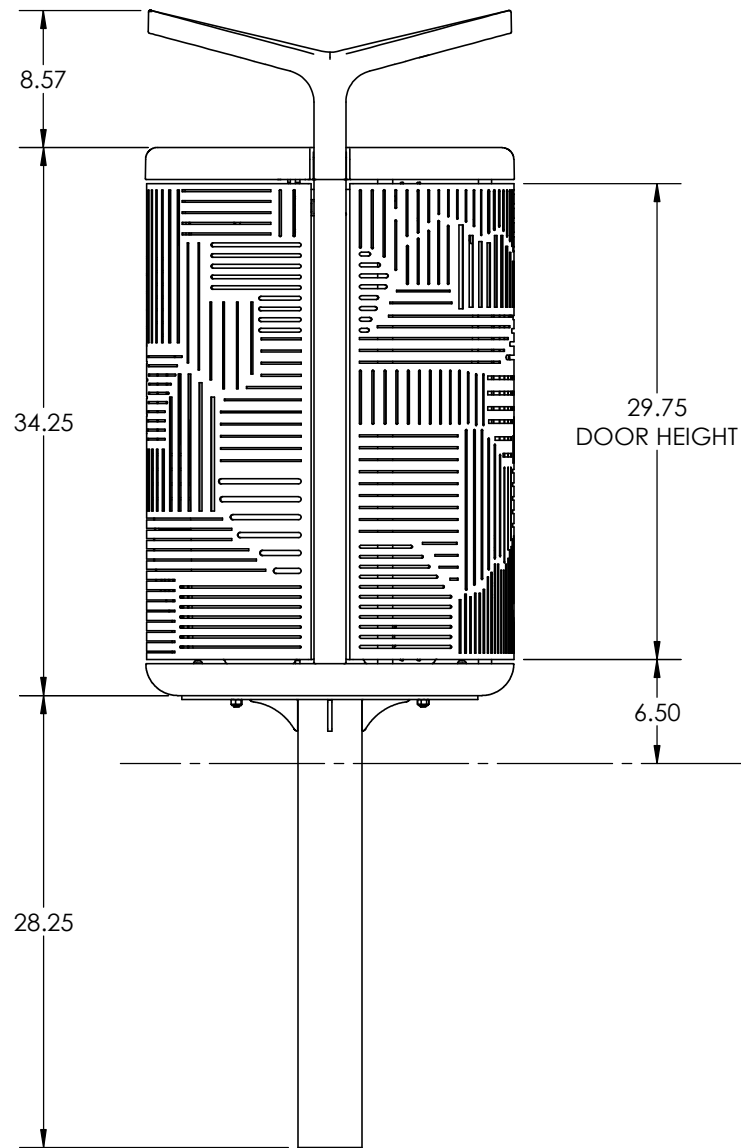
DESCRIPTION:

**TONYO RECEPTACLE, TERRA PERFORATION
SLTNO-215S,HAT,SST,TERRA,GRPH,CAST**

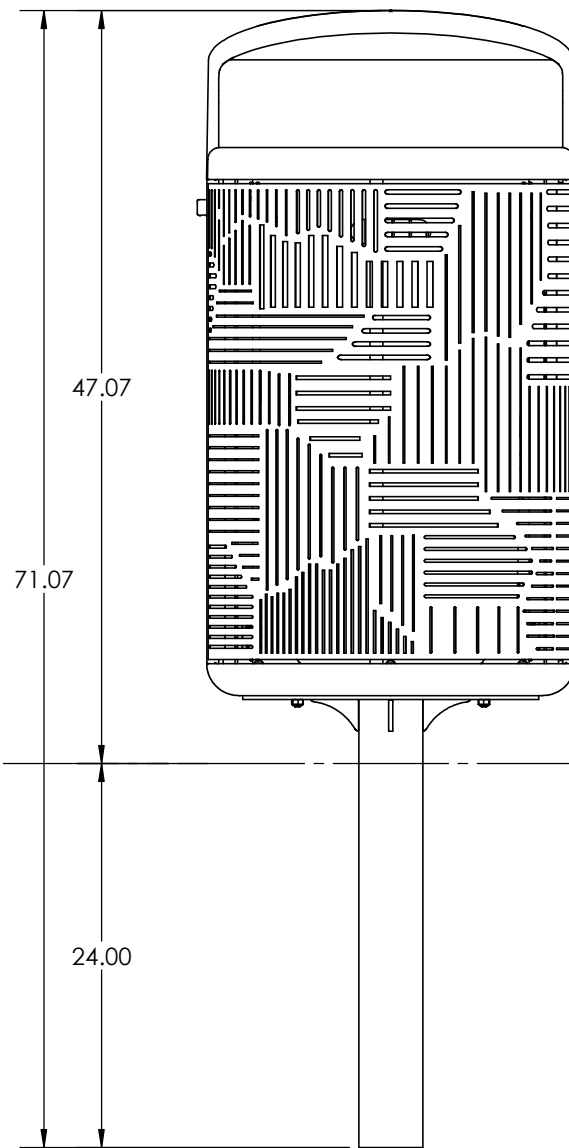
SIZE	DWG. NO.	REV	SHEET
B	SLTNO-215S-HAT-TERRA-GRPH-CS	0	1 OF 1



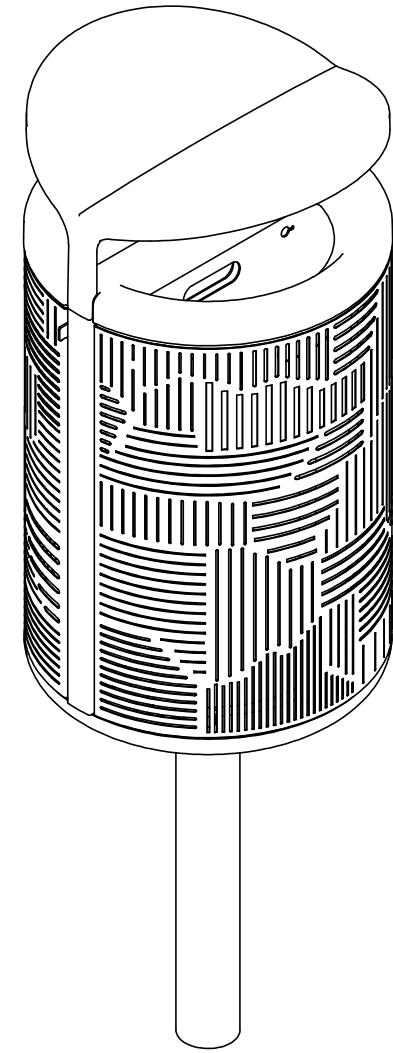
TOP VIEW



FRONT VIEW



SIDE VIEW



ISO VIEW

CUSTOMER APPROVAL:

X _____

DATE:

X _____

UNLESS OTHERWISE SPECIFIED:

- 1. PRIMARY DIM. ARE IN INCHES & SECONDARY [DIM] IN MM
- 2. TOLERANCES
 FRACTIONAL: ±1/32; ANGULAR/BEND: ±1°
 TWO PLACE DECIMAL ±.030
 THREE PLACE DECIMAL ±.020
 3. REMOVE ALL BURRS AND SHARP EDGES



MATERIAL: SEE DATA SHEET

FINISH: - SEE DATA SHEET

WEIGHT: - SEE DATA SHEET

SCALE: NOT TO SCALE



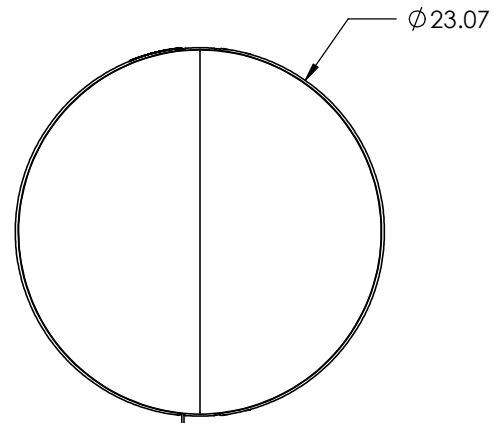
30 Pine Street, Pittsburgh, PA 15223
Tel (412) 781-9003 Fax (412) 385-4715

NAME	DATE
DWN LJK	10/28/2021
CHK MGJ	10/28/2021

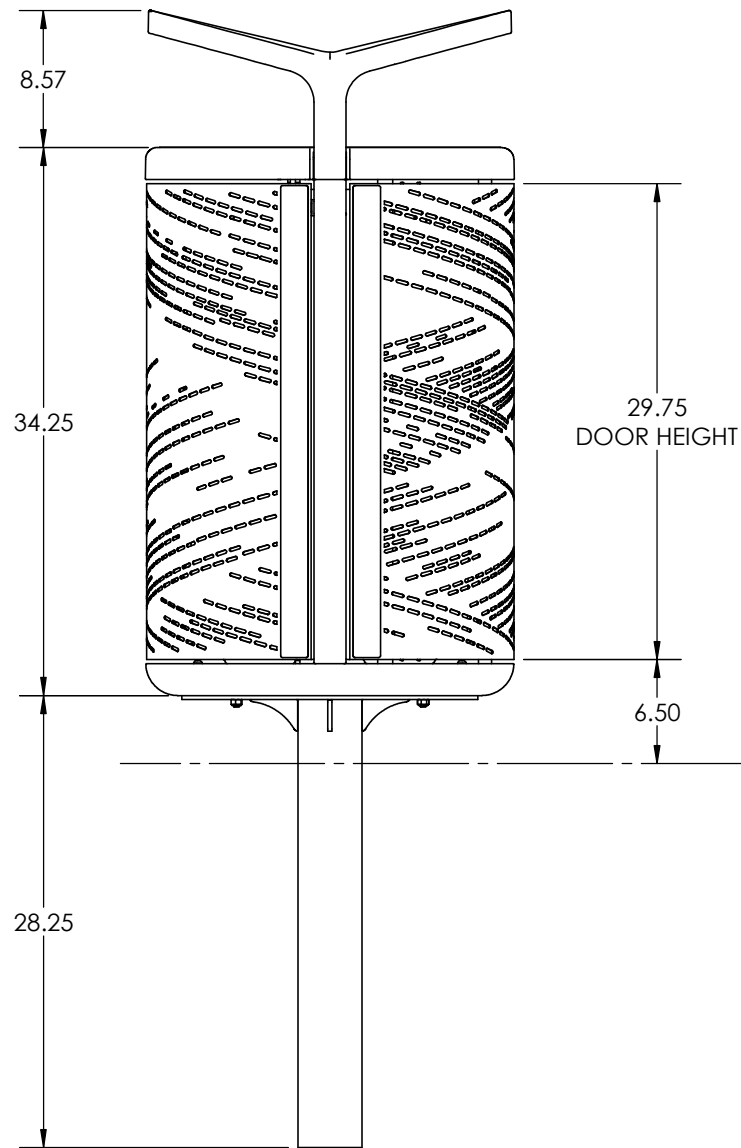
DO NOT SCALE DRAWING

PROPRIETARY AND CONFIDENTIAL
 THE INFORMATION CONTAINED IN THIS DRAWING IS THE SOLE PROPERTY OF FORMS + SURFACES. ANY REPRODUCTION IN PART OR AS A WHOLE WITHOUT WRITTEN PERMISSION IS PROHIBITED.

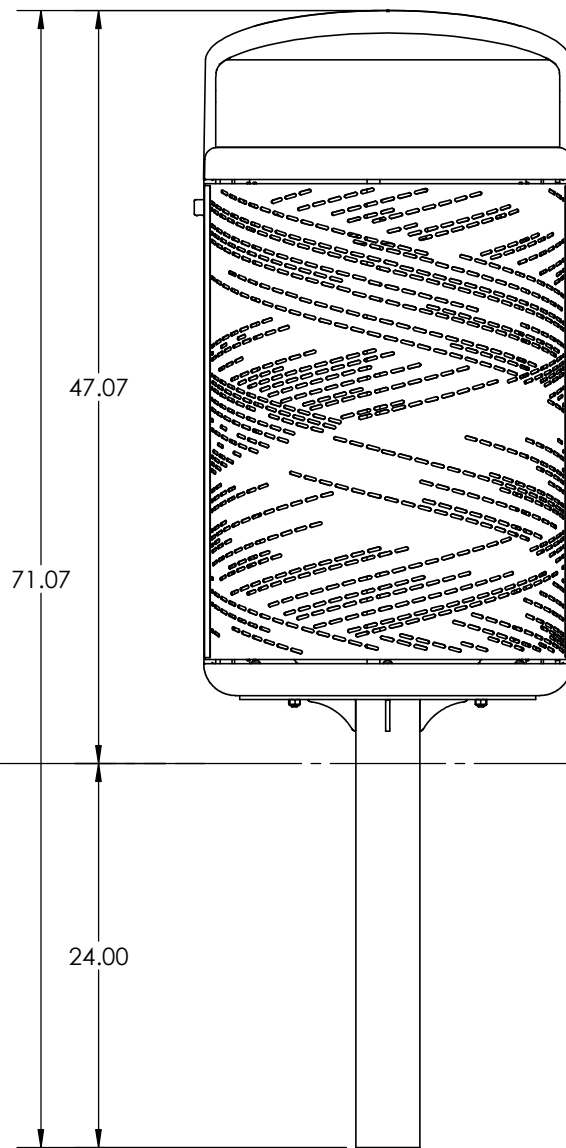
DESCRIPTION:			
TONYO RECEPTACLE, TERRA PERFORATION			
SLTNO-215S,HAT,SST,TERRA,CAST			
SIZE	DWG. NO.	REV	SHEET
B	SLTNO-215S-HAT-TERRA-CS	0	1 OF 1



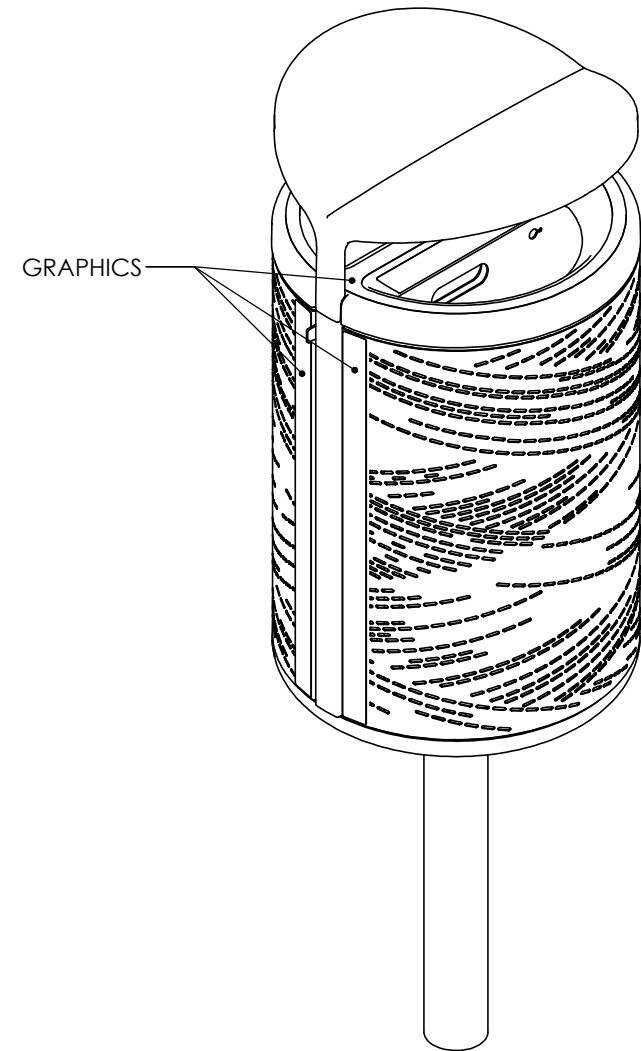
TOP VIEW



FRONT VIEW



SIDE VIEW



ISO VIEW

CUSTOMER APPROVAL:

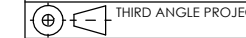
X _____

DATE:

X _____

UNLESS OTHERWISE SPECIFIED:

- 1. PRIMARY DIM. ARE IN INCHES & SECONDARY [DIM] IN MM
- 2. TOLERANCES
 FRACTIONAL: ±1/32; ANGULAR/BEND: ±1°
 TWO PLACE DECIMAL ±.030
 THREE PLACE DECIMAL ±.020
 3. REMOVE ALL BURRS AND SHARP EDGES



MATERIAL: SEE DATA SHEET

FINISH: - SEE DATA SHEET

WEIGHT: - SEE DATA SHEET

SCALE: NOT TO SCALE



30 Pine Street, Pittsburgh, PA 15223
Tel (412) 781-9003 Fax (412) 385-4715

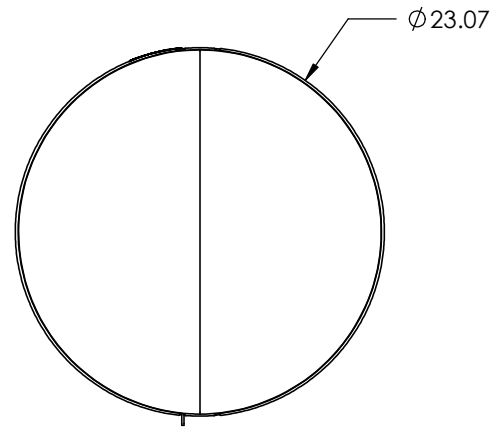
NAME	DATE
DWN LJK	10/28/2021
CHK MGJ	10/28/2021

DO NOT SCALE DRAWING

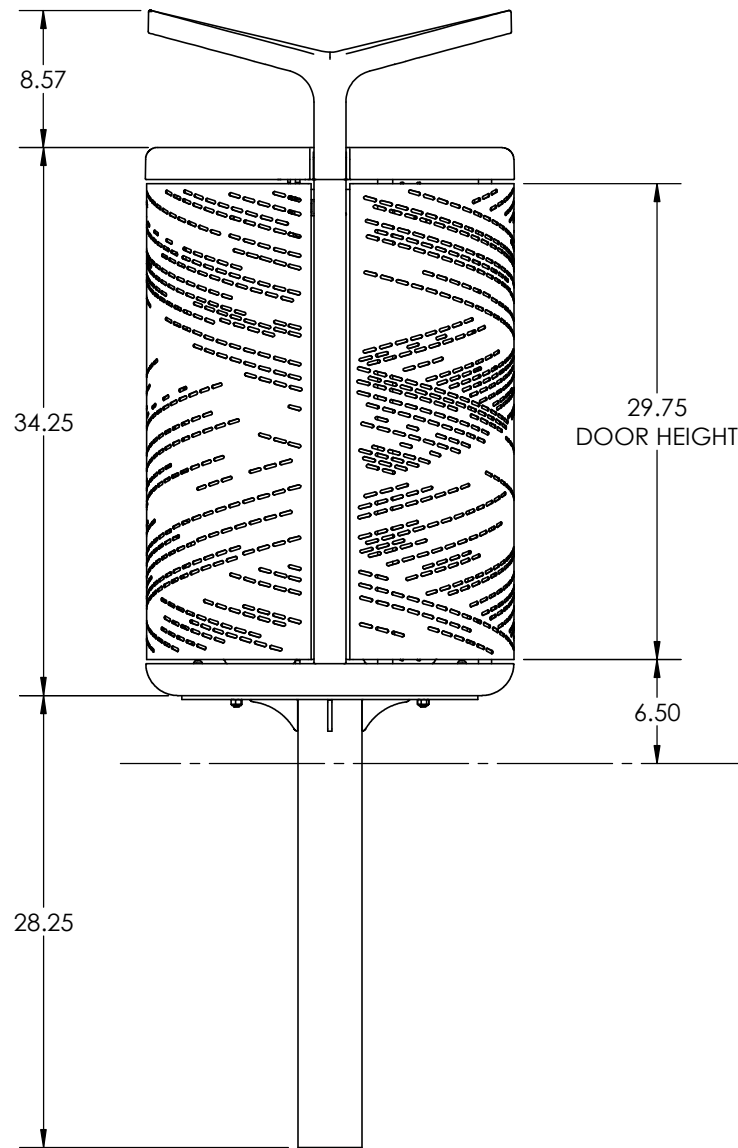
PROPRIETARY AND CONFIDENTIAL

THE INFORMATION CONTAINED IN THIS DRAWING IS THE SOLE PROPERTY OF FORMS + SURFACES. ANY REPRODUCTION IN PART OR AS A WHOLE WITHOUT WRITTEN PERMISSION IS PROHIBITED.

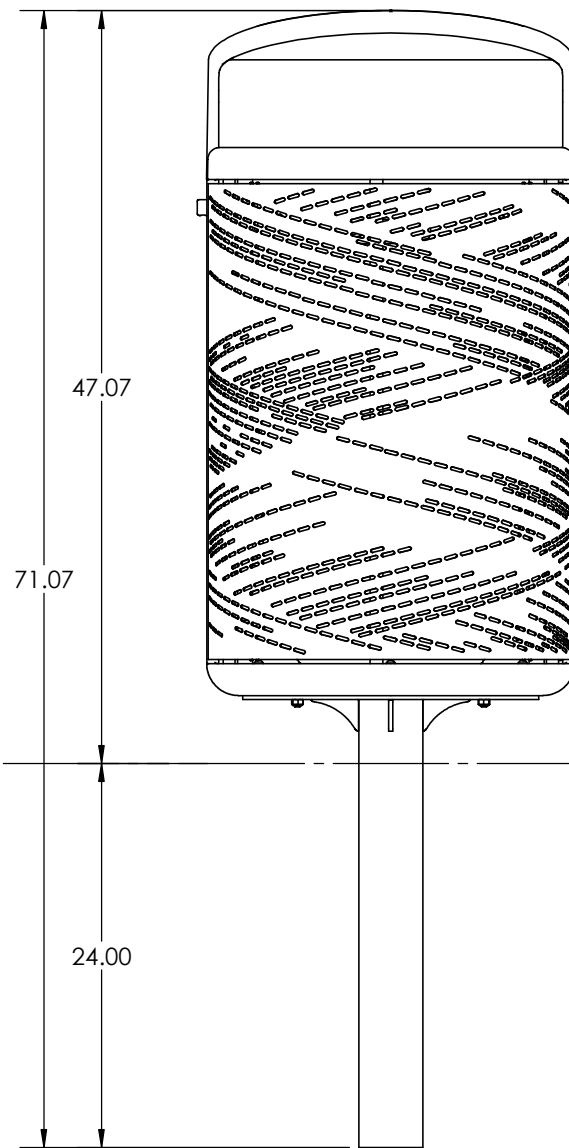
DESCRIPTION:			
TONYO RECEPTACLE, PLAIT PERFORATION			
SLTNO-215S,HAT,SST,PLAIT,GRPH,CAST			
SIZE	DWG. NO.	REV	SHEET
B	SLTNO-215S-HAT-PLAIT-GRPH-CS	0	1 OF 1



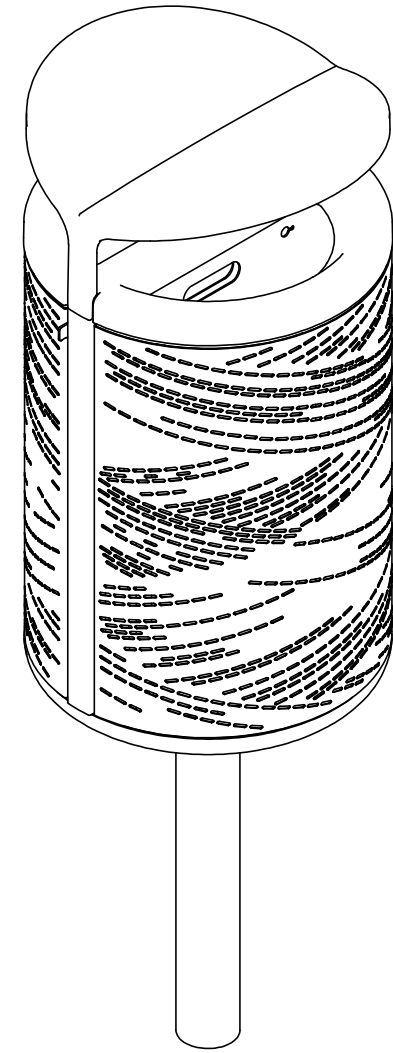
TOP VIEW



FRONT VIEW



SIDE VIEW



ISO VIEW

CUSTOMER APPROVAL:

X _____

DATE:

X _____

UNLESS OTHERWISE SPECIFIED:

- 1. PRIMARY DIM. ARE IN INCHES & SECONDARY [DIM] IN MM
- 2. TOLERANCES
 FRACTIONAL: ±1/32; ANGULAR/BEND: ±1°
 TWO PLACE DECIMAL ±.030
 THREE PLACE DECIMAL ±.020
 3. REMOVE ALL BURRS AND SHARP EDGES



MATERIAL: SEE DATA SHEET

FINISH: - SEE DATA SHEET

WEIGHT: - SEE DATA SHEET

SCALE: NOT TO SCALE



30 Pine Street, Pittsburgh, PA 15223
Tel (412) 781-9003 Fax (412) 385-4715

NAME	DATE
DWN LJK	10/28/2021
CHK MGJ	10/28/2021

DO NOT SCALE DRAWING

PROPRIETARY AND CONFIDENTIAL

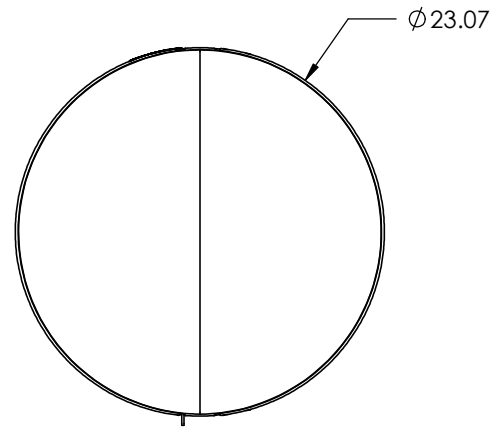
THE INFORMATION CONTAINED IN THIS DRAWING IS THE SOLE PROPERTY OF FORMS + SURFACES. ANY REPRODUCTION IN PART OR AS A WHOLE WITHOUT WRITTEN PERMISSION IS PROHIBITED.

DESCRIPTION:

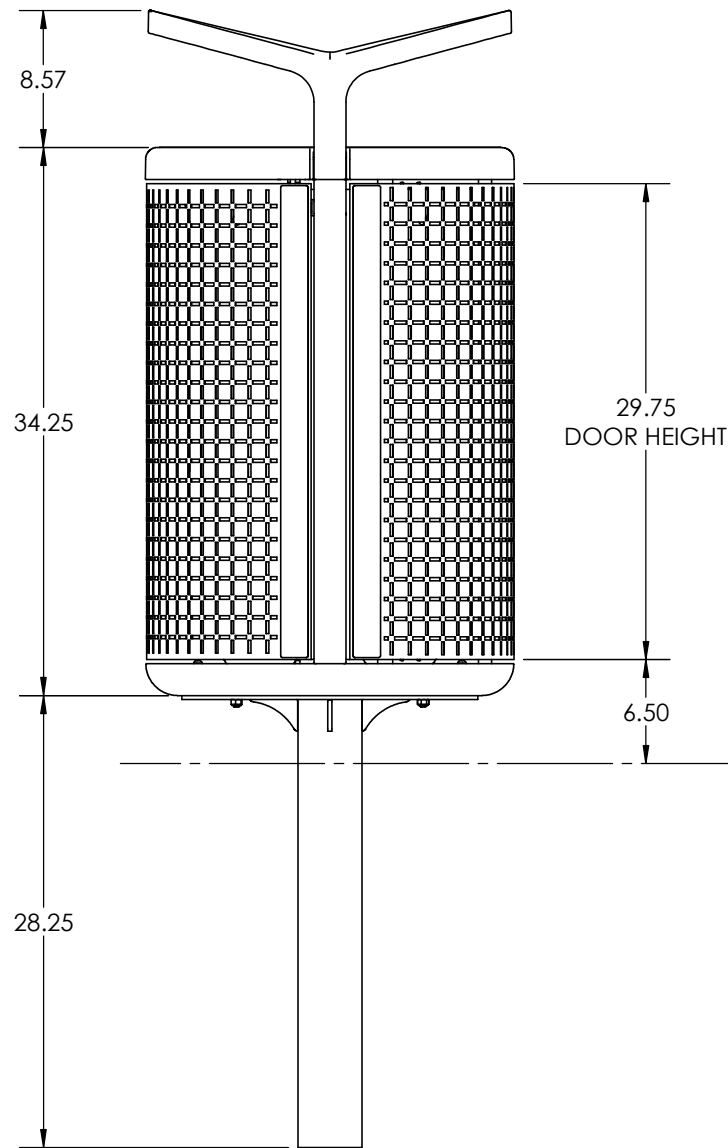
**TONYO RECEPTACLE, PLAIT PERFORATION
SLTNO-215S,HAT,SST,PLAIT,CAST**

SIZE	DWG. NO.	REV	SHEET
B	SLTNO-215S-HAT-PLAIT-CS	0	1 OF 1

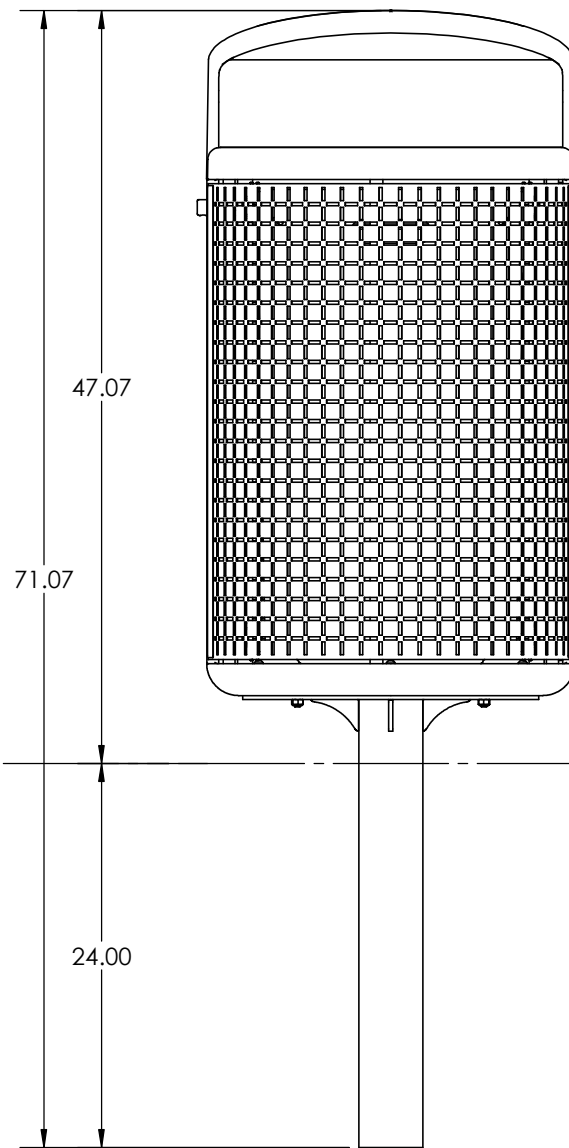
8 7 6 5 4 3 2 1



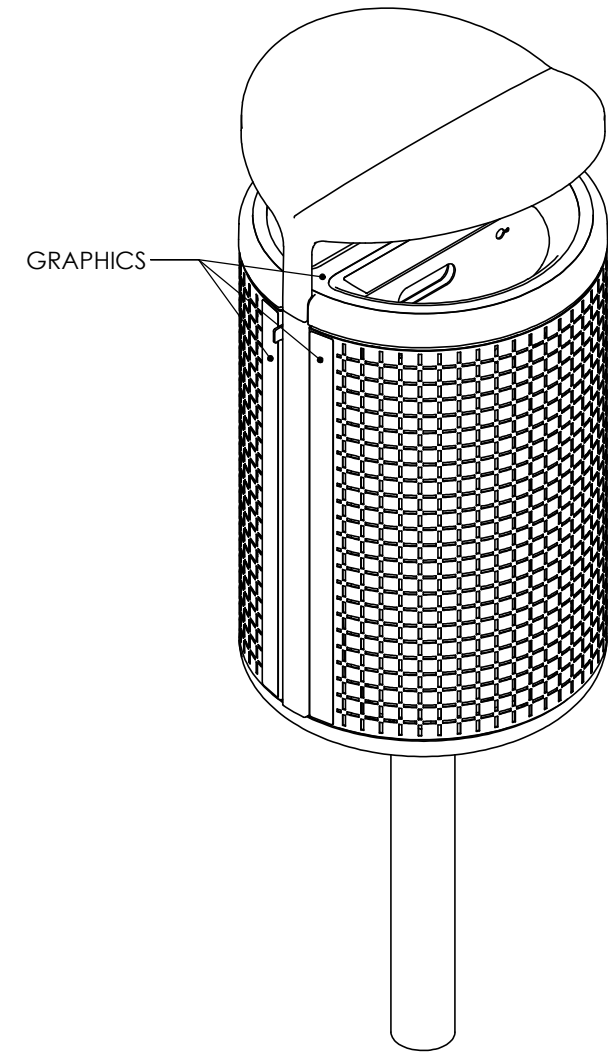
TOP VIEW



FRONT VIEW



SIDE VIEW



ISO VIEW

CUSTOMER APPROVAL:

X _____

DATE:

X _____

UNLESS OTHERWISE SPECIFIED:

- 1. PRIMARY DIM. ARE IN INCHES & SECONDARY [DIM] IN MM
- 2. TOLERANCES
- FRACTIONAL: ±1/32; ANGULAR/BEND: ±1°
- TWO PLACE DECIMAL ±.030
- THREE PLACE DECIMAL ±.020
- 3. REMOVE ALL BURRS AND SHARP EDGES



MATERIAL: SEE DATA SHEET

FINISH: - SEE DATA SHEET

WEIGHT: - SEE DATA SHEET

SCALE: NOT TO SCALE



30 Pine Street, Pittsburgh, PA 15223
Tel (412) 781-9003 Fax (412) 385-4715

NAME	DATE
DWN	DEF
CHK	

DO NOT SCALE DRAWING

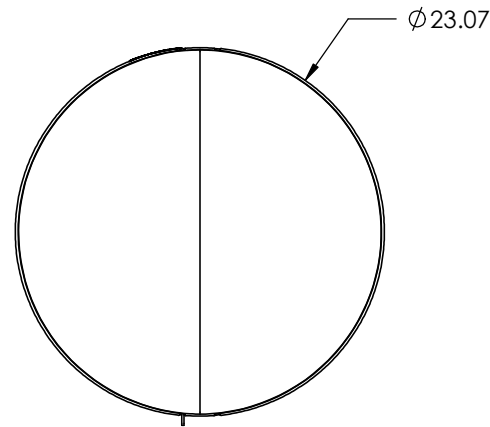
PROPRIETARY AND CONFIDENTIAL

THE INFORMATION CONTAINED IN THIS DRAWING IS THE SOLE PROPERTY OF FORMS + SURFACES. ANY REPRODUCTION IN PART OR AS A WHOLE WITHOUT WRITTEN PERMISSION IS PROHIBITED.

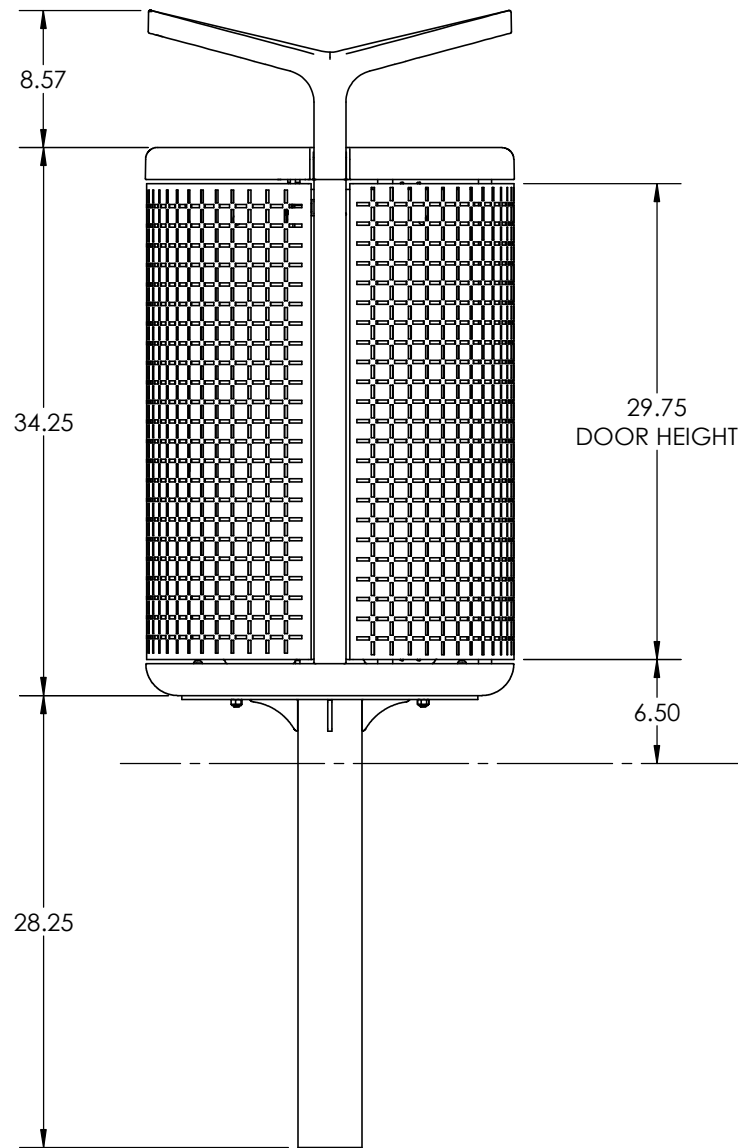
DESCRIPTION:			
TONYO RECEPTACLE, NOTCH PERFORATION			
SLTNO-215S,HAT,SST,NOTCH,GRPH,CAST			
SIZE	DWG. NO.	REV	SHEET
B	SLTNO-215S-HAT-NOTCH-GRPH-CS	0	1 OF 1

8 7 6 5 4 3 2 1

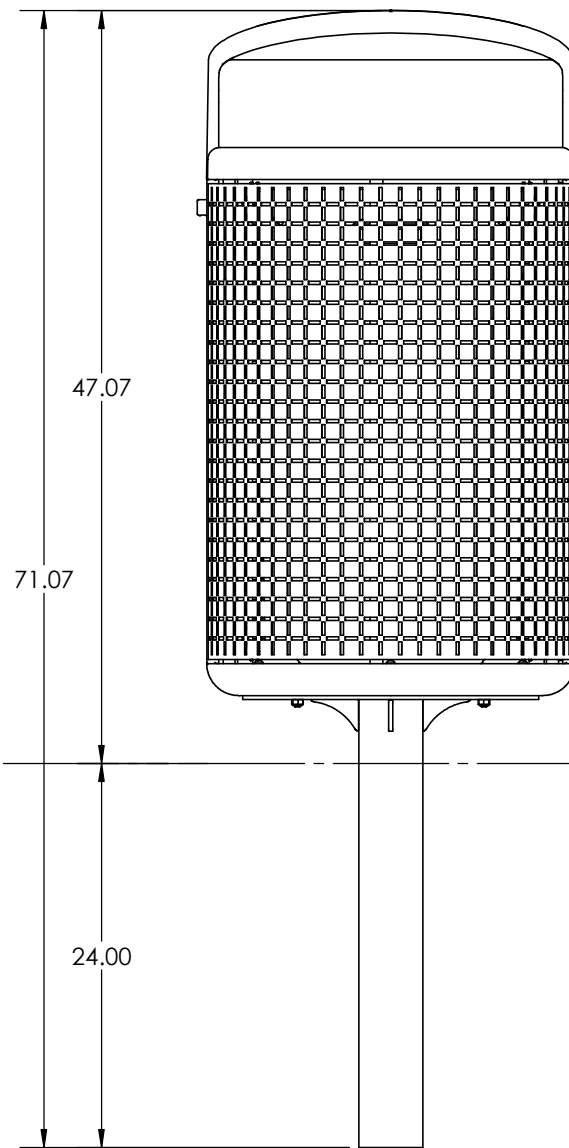
8 7 6 5 4 3 2 1



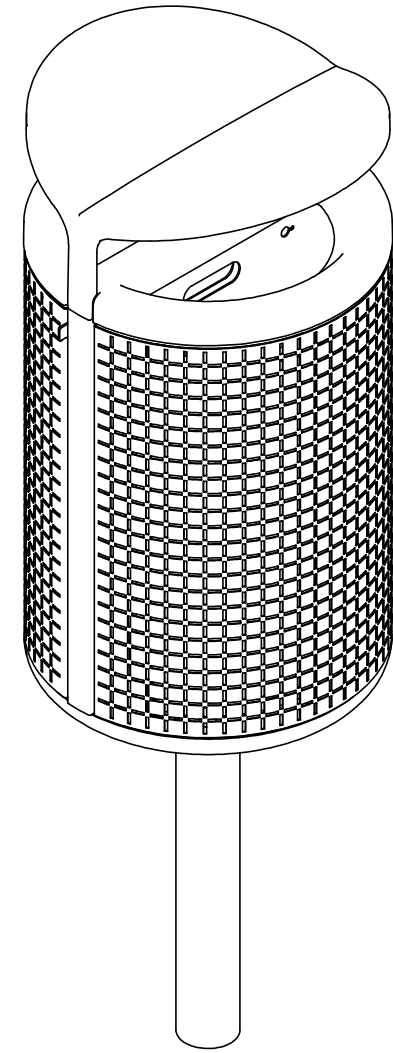
TOP VIEW



FRONT VIEW



SIDE VIEW



ISO VIEW

CUSTOMER APPROVAL:

X _____

DATE:

X _____

UNLESS OTHERWISE SPECIFIED:

- 1. PRIMARY DIM. ARE IN INCHES & SECONDARY [DIM] IN MM
- 2. TOLERANCES
 FRACTIONAL: ±1/32; ANGULAR/BEND: ±1°
 TWO PLACE DECIMAL ±.030
 THREE PLACE DECIMAL ±.020
 3. REMOVE ALL BURRS AND SHARP EDGES



MATERIAL: SEE DATA SHEET

FINISH: - SEE DATA SHEET

WEIGHT: - SEE DATA SHEET

SCALE: NOT TO SCALE



30 Pine Street, Pittsburgh, PA 15223
Tel (412) 781-9003 Fax (412) 385-4715

NAME	DATE
DWN LJK	10/28/2021
CHK MGJ	10/28/2021

DO NOT SCALE DRAWING

PROPRIETARY AND CONFIDENTIAL

THE INFORMATION CONTAINED IN THIS DRAWING IS THE SOLE PROPERTY OF FORMS + SURFACES. ANY REPRODUCTION IN PART OR AS A WHOLE WITHOUT WRITTEN PERMISSION IS PROHIBITED.

DESCRIPTION:

**TONYO RECEPTACLE, NOTCH PERFORATION
SLTNO-215S,HAT,SST,NOTCH,CAST**

SIZE	DWG. NO.	REV	SHEET
B	SLTNO-215S-HAT-NOTCH-CS	0	1 OF 1

8 7 6 5 4 3 2 1