

8 7 6 5 4 3 2 1

D

D

C

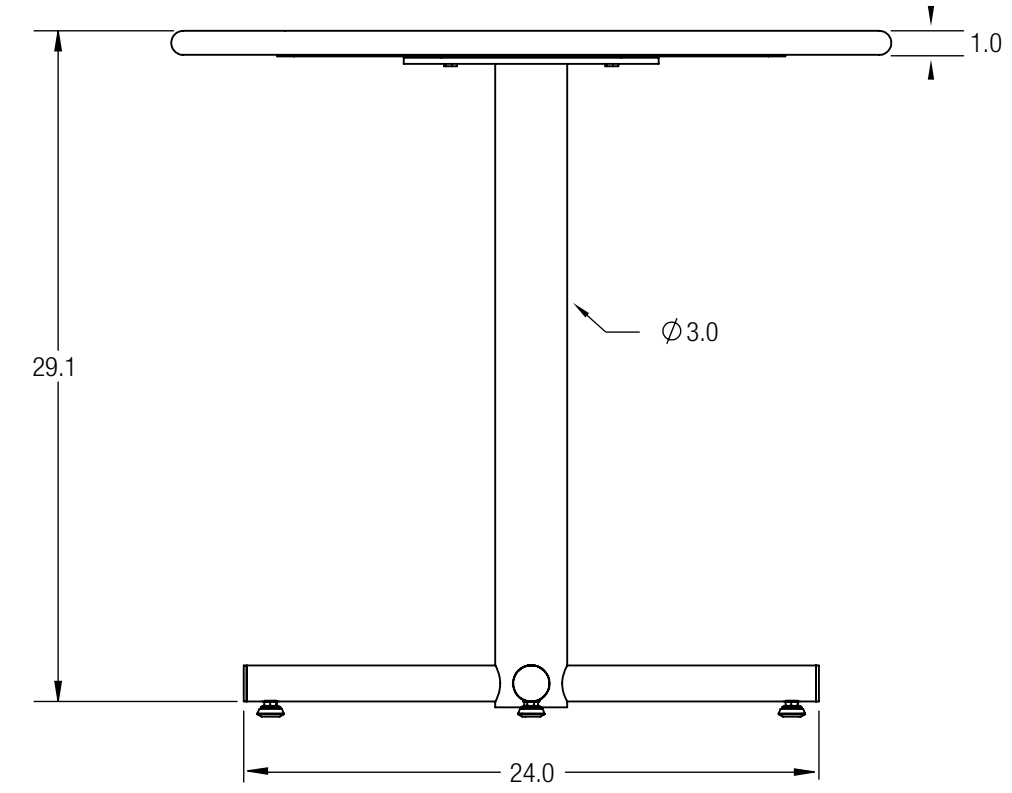
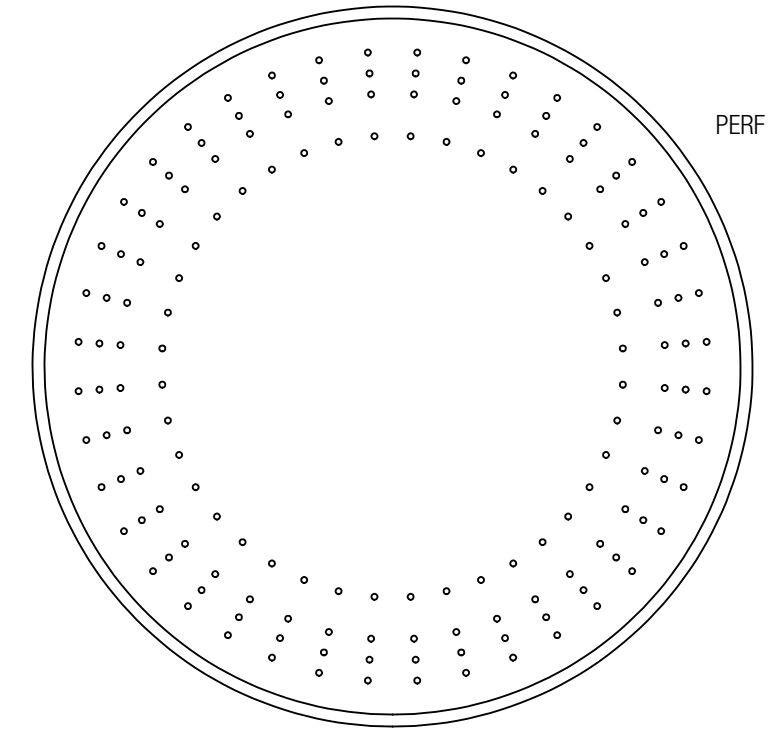
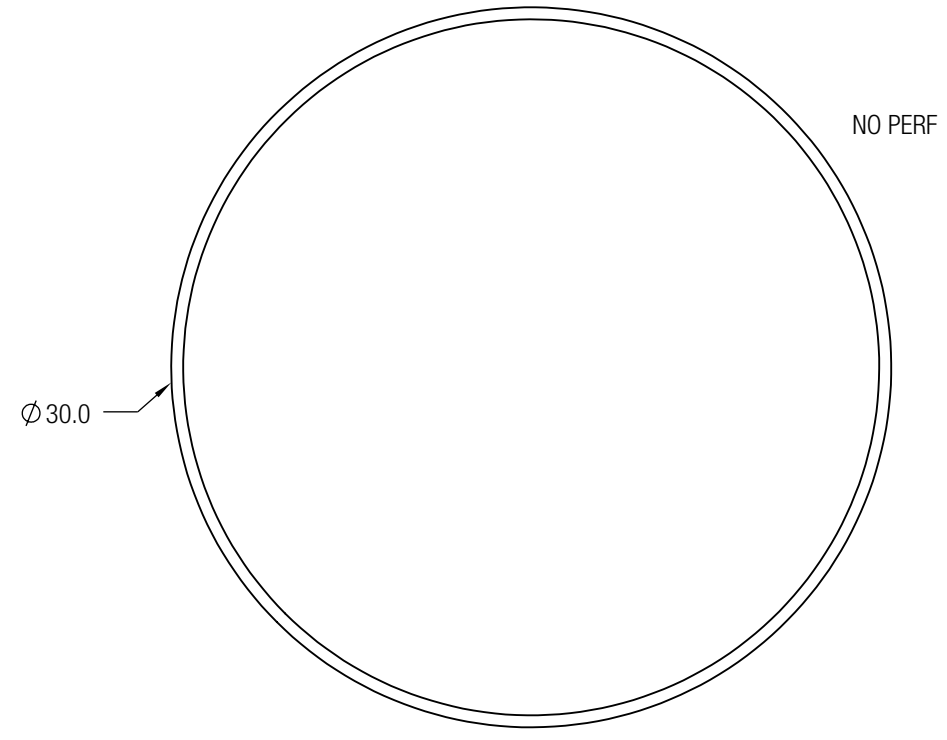
C

B

B

A

A



CUSTOMER APPROVAL:

X _____

DATE:

X _____

UNLESS OTHERWISE SPECIFIED,
DIMENSIONS ARE IN INCHES

TOLERANCES (UNLESS OTHERWISE SPECIFIED):
 FRACTIONAL: ±1/32
 ANGULAR/BEND: ±1°*
 TWO PLACE DECIMAL ±.030
 THREE PLACE DECIMAL ±.020

MATERIAL: SEE DATA SHEET

FINISH: SEE DATA SHEET

WEIGHT: 29 LBS

SOURCE: MDW

SCALE: N.T.S.

FORMS+SURFACES® 30 Pine Street, Pittsburgh, PA 15223
 Tel (412) 781-9003 Fax (412) 781-7840

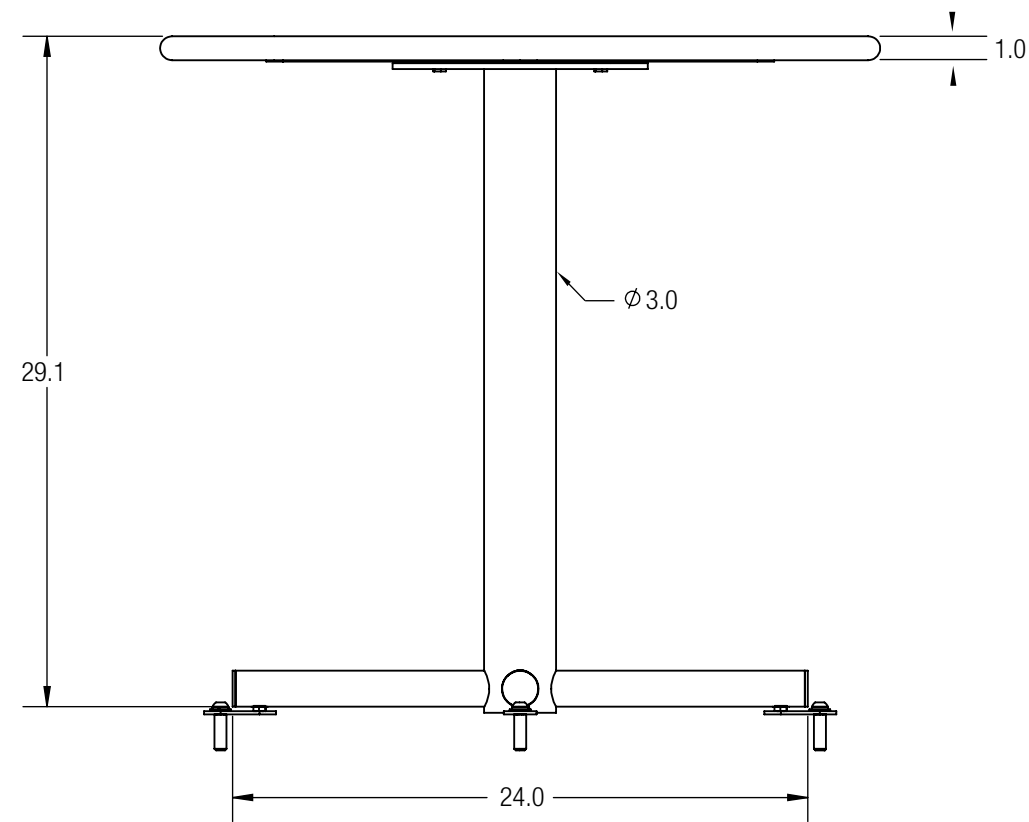
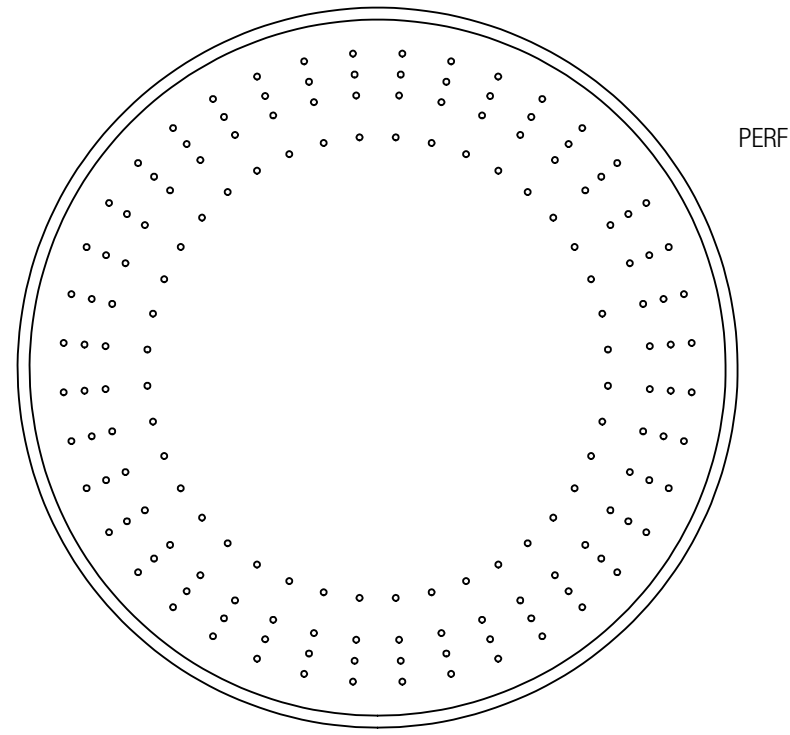
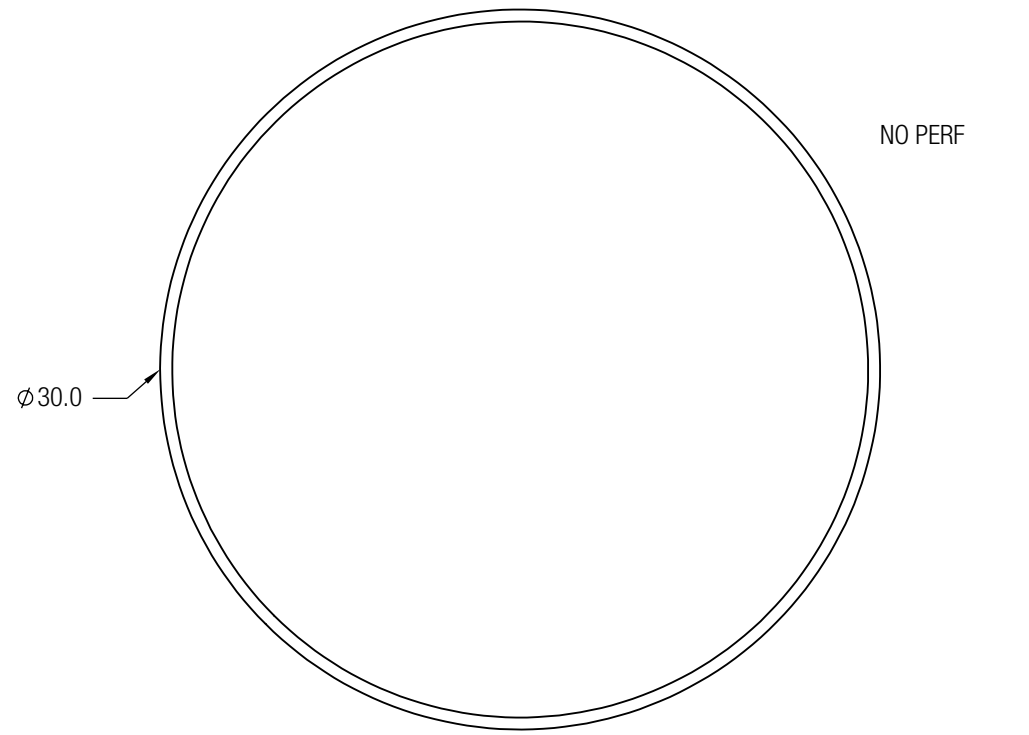
		NAME	DATE
DWN	ARW		11/14/2013
FINISH: SEE DATA SHEET		DO NOT SCALE DRAWING	
WEIGHT: 29 LBS		PROPRIETARY AND CONFIDENTIAL	
SOURCE: MDW		THE INFORMATION CONTAINED IN THIS DRAWING IS THE SOLE PROPERTY OF FORMS + SURFACES. ANY REPRODUCTION IN PART OR AS A WHOLE WITHOUT WRITTEN PERMISSION IS PROHIBITED.	
SCALE: N.T.S.			

CROSS TABLE,
 30" ROUND TOP, 24" BASE,
 FREESTANDING,
 SPCRO-FS-24R30

SIZE	DWG. NO.	REV	SHEET
B	SPCRO-FS-24R30	0	1 OF 1

8 7 6 5 4 3 2 1

PRINTED: 11/14/2013



CUSTOMER APPROVAL:

X _____

DATE:

X _____

UNLESS OTHERWISE SPECIFIED,
DIMENSIONS ARE IN INCHES

TOLERANCES (UNLESS OTHERWISE SPECIFIED):
FRACTIONAL: $\pm 1/32$
ANGULAR/BEND: $\pm 1^\circ$
TWO PLACE DECIMAL $\pm .030$
THREE PLACE DECIMAL $\pm .020$

MATERIAL: SEE DATA SHEET

FINISH: SEE DATA SHEET

WEIGHT: 29 LBS

SOURCE: MDW

SCALE: N.T.S.

FORMS+SURFACES® 30 Pine Street, Pittsburgh, PA 15223
Tel (412) 781-9003 Fax (412) 781-7840

NAME	DATE
DWN	ARW
	11/14/2013

DO NOT SCALE DRAWING

PROPRIETARY AND CONFIDENTIAL
THE INFORMATION CONTAINED IN THIS DRAWING IS THE SOLE PROPERTY OF FORMS + SURFACES. ANY REPRODUCTION IN PART OR AS A WHOLE WITHOUT WRITTEN PERMISSION IS PROHIBITED.

CROSS TABLE,
30" ROUND TOP, 24" BASE,
SURFACE MOUNT,
SPCRO-SM-24R30

SIZE	DWG. NO.	REV	SHEET
B	SPCRO-SM-24R30	0	1 OF 1

PRINTED: 11/14/2013