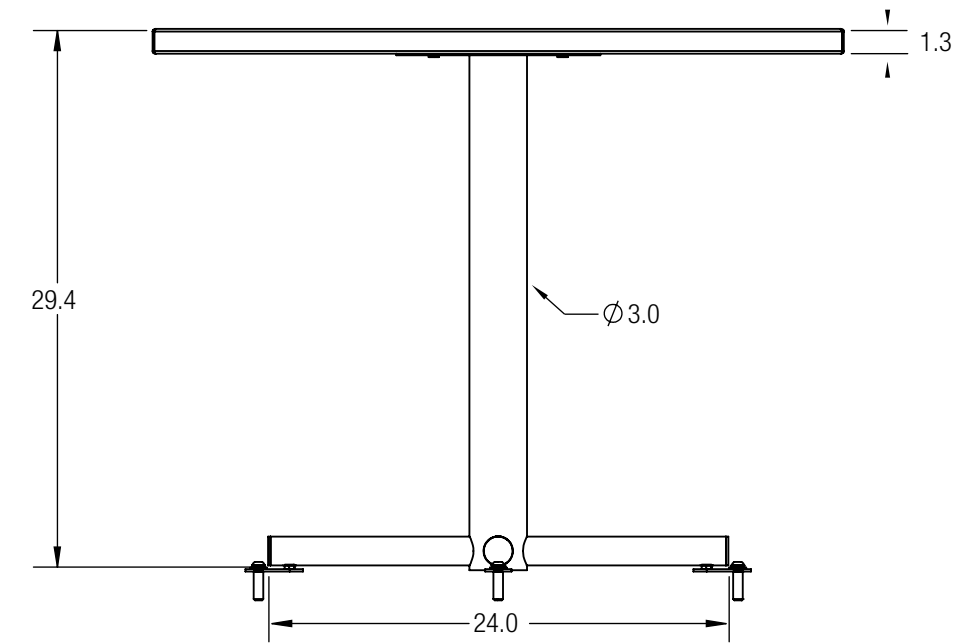
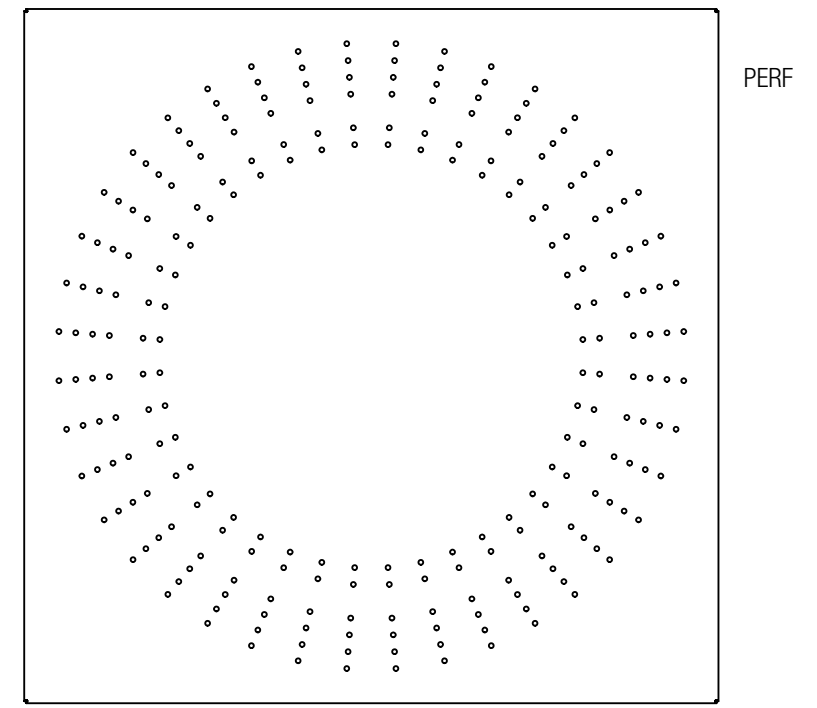
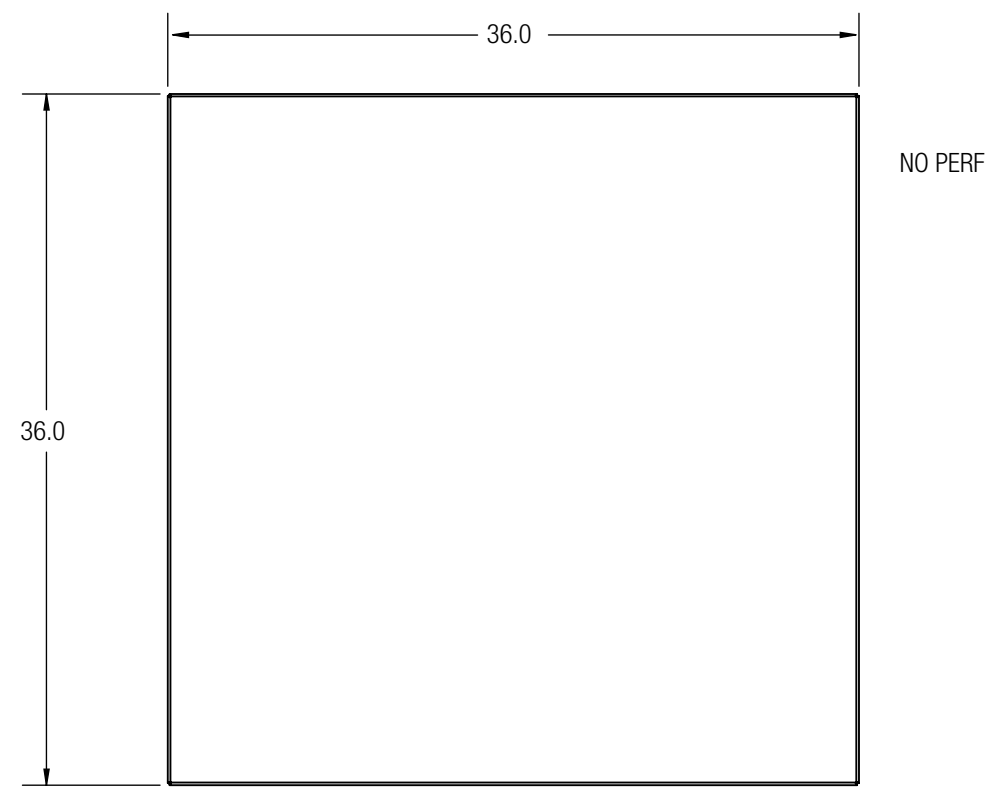


8 7 6 5 4 3 2 1



D
C
B
A

D
C
B
A

CUSTOMER APPROVAL:

X _____

DATE:

X _____

UNLESS OTHERWISE SPECIFIED, DIMENSIONS ARE IN INCHES		FORMS+SURFACES ® 30 Pine Street, Pittsburgh, PA 15223 Tel (412) 781-9003 Fax (412) 781-7840	
TOLERANCES (UNLESS OTHERWISE SPECIFIED):		NAME	DATE
FRACTIONAL:	±1/32	DWN	ARW 11/14/2013
ANGULAR/BEND:	±1°*	CROSS TABLE, 36" SQUARE TOP, 24" BASE, SURFACE MOUNT, SPCRO-SM-24S36	
TWO PLACE DECIMAL	±.030		
THREE PLACE DECIMAL	±.020	REV SHEET	
MATERIAL: SEE DATA SHEET		0 1 OF 1	
FINISH: SEE DATA SHEET		DO NOT SCALE DRAWING	
WEIGHT: 41 LBS		PROPRIETARY AND CONFIDENTIAL	
SOURCE: MDW		THE INFORMATION CONTAINED IN THIS DRAWING IS THE SOLE PROPERTY OF FORMS + SURFACES. ANY REPRODUCTION IN PART OR AS A WHOLE WITHOUT WRITTEN PERMISSION IS PROHIBITED.	
SCALE: N.T.S.		SIZE	DWG. NO.
		B	SPCRO-SM-24S36

8 7 6 5 4 3 2 1

PRINTED: 11/14/2013