

8

7

6

5

4

3

2

1

D

D

C

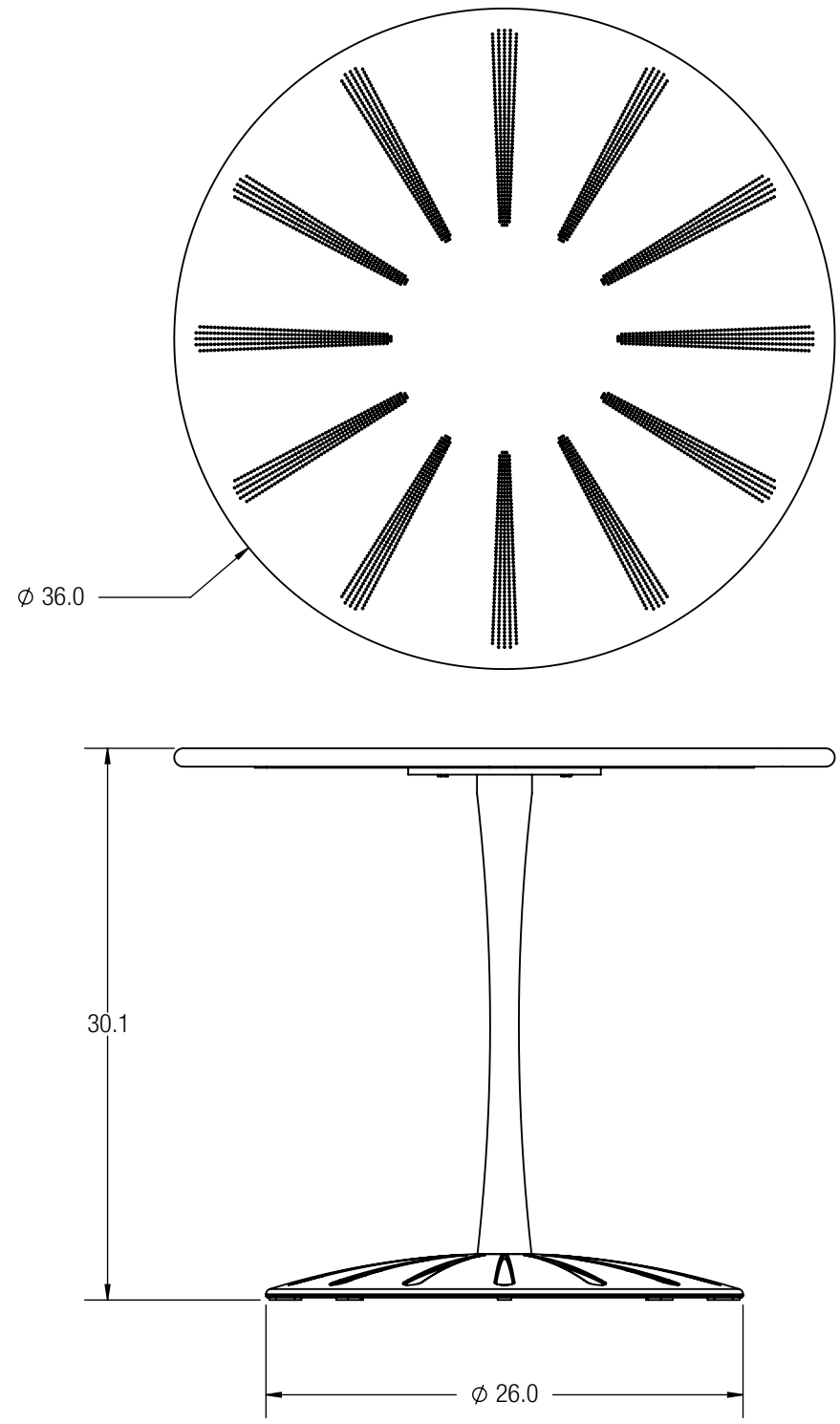
C

B

B

A

A



CUSTOMER APPROVAL:

X _____

DATE:

X _____

UNLESS OTHERWISE SPECIFIED, DIMENSIONS ARE IN INCHES		FORMS+SURFACES [®] 30 Pine Street, Pittsburgh, PA 15223 Tel (800) 451-0410 Fax (412) 781-7840	
TOLERANCES (UNLESS OTHERWISE SPECIFIED): FRACTIONAL: $\pm 1/32$ ANGULAR/BEND: $\pm 1^\circ$ TWO PLACE DECIMAL: $\pm .030$ THREE PLACE DECIMAL: $\pm .020$		DATE	CITRUS TABLE WITH 36" ROUND PERFORATED TABLE TOP STCIT-36PH
MATERIAL: SEE DATA SHEET		01/01/2011	
FINISH: SEE DATA SHEET	DO NOT SCALE DRAWING		SIZE DWG. NO. REV SHEET B STCIT-36PH-TD 0 1 OF 1
WEIGHT: 55 LBS	PROPRIETARY AND CONFIDENTIAL THE INFORMATION CONTAINED IN THIS DRAWING IS THE SOLE PROPERTY OF FORMS + SURFACES. ANY REPRODUCTION IN PART OR AS A WHOLE WITHOUT WRITTEN PERMISSION IS PROHIBITED.		
SOURCE: M	SCALE: N.T.S.		

8

7

6

5

4

3

2

1