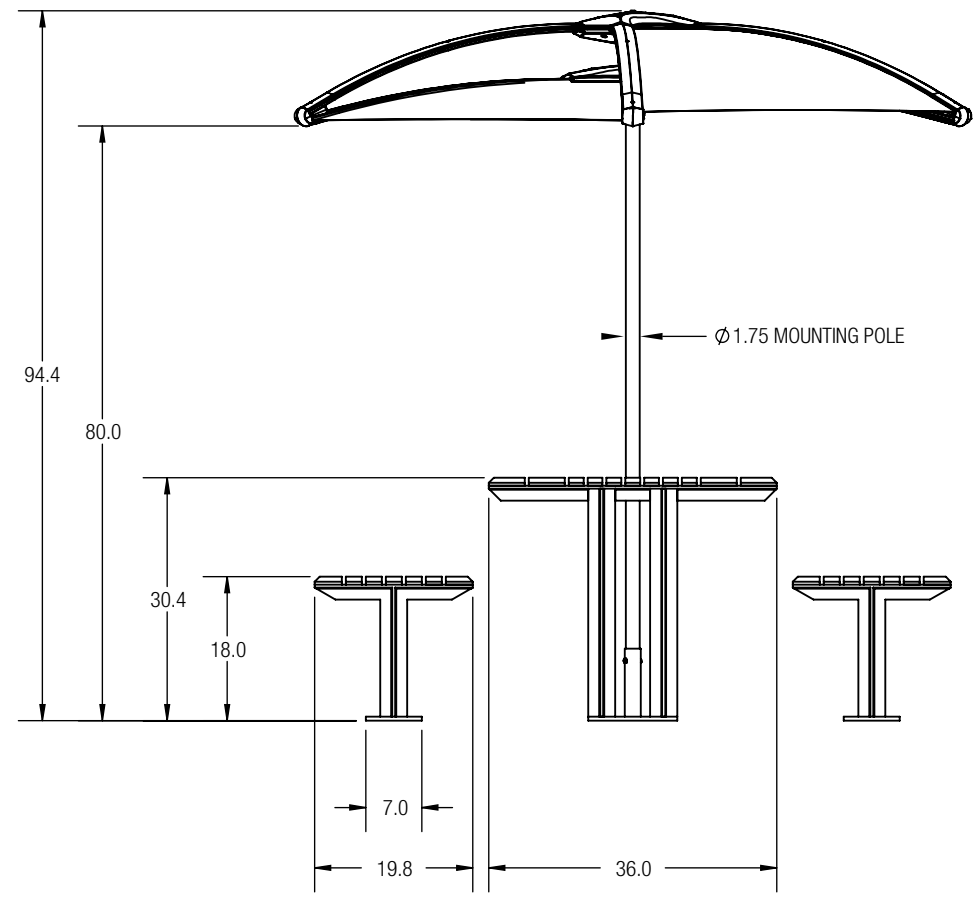
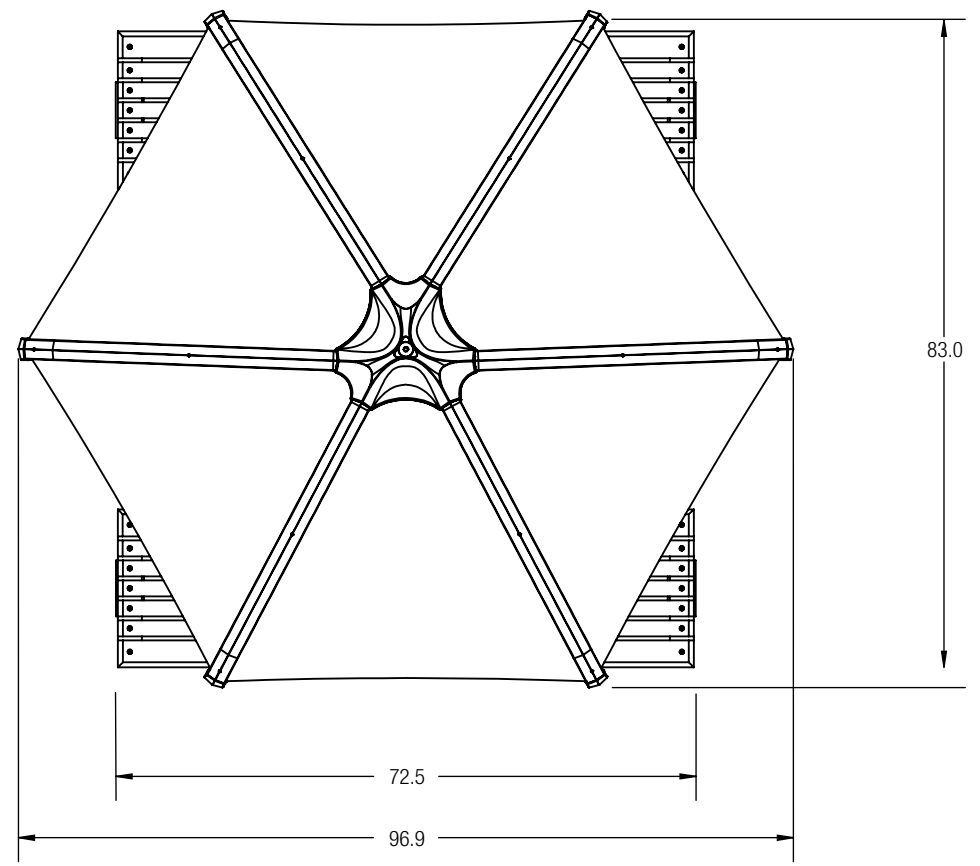


8 7 6 5 4 3 2 1

D



D

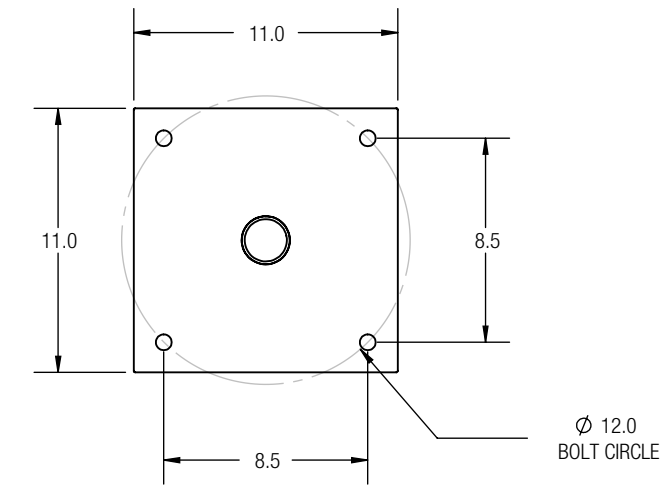


C

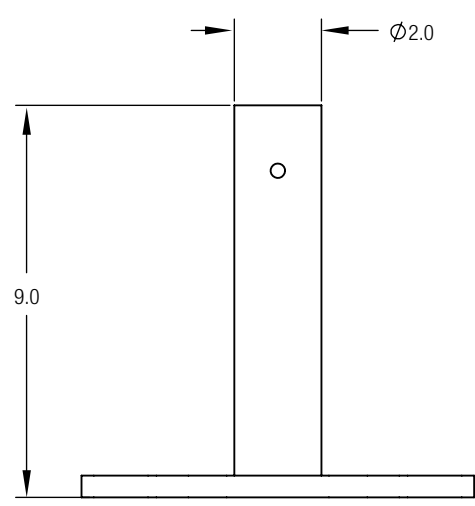
C

B

B



SOLERIS BASE PLATE MOUNTING DETAILS



SURFACE MOUNT ASSEMBLY

CUSTOMER APPROVAL:

X \_\_\_\_\_

DATE:

X \_\_\_\_\_

UNLESS OTHERWISE SPECIFIED,  
 DIMENSIONS ARE IN INCHES  
 TOLERANCES (UNLESS OTHERWISE SPECIFIED):  
 FRACTIONAL:  $\pm 1/32$   
 ANGULAR/BEND:  $\pm 1^\circ$   
 TWO PLACE DECIMAL  $\pm .030$   
 THREE PLACE DECIMAL  $\pm .020$   
 MATERIAL: SEE DATA SHEET  
 FINISH: SEE DATA SHEET  
 WEIGHT: 501 LBS  
 SOURCE: M  
 SCALE: N.T.S.

**FORMS+SURFACES**® 30 Pine Street, Pittsburgh, PA 15223  
Tel (412) 781-9003 Fax (412) 781-7840

NAME	DATE
DWN	05/18/2017
TAF	

**SOLERIS SUNSHADE  
 SURFACE MOUNTED WITH  
 KNIGHT TABLE ENSEMBLE, BACKLESS  
 SUSOL-APT**

SIZE	DWG. NO.	REV	SHEET
B	SUSOL+STKNI	0	1 OF 1

8 7 6 5 4 3 2 1

PRINTED: 10/9/2014