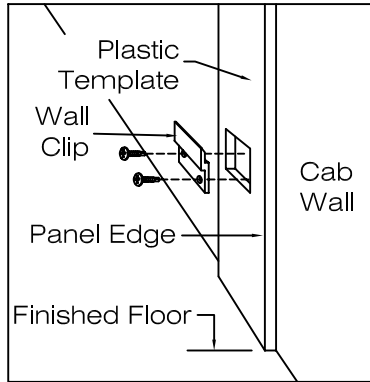
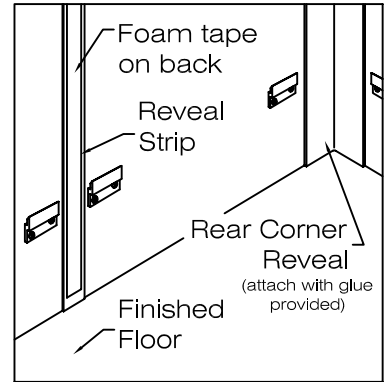


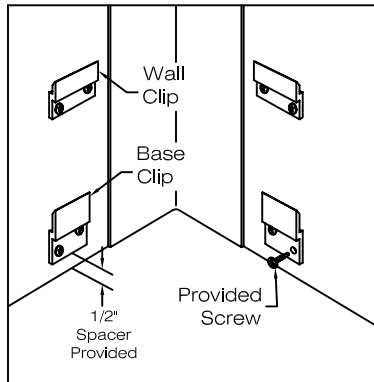
The CabForms shipping crate contains a documentation packet with detailed drawings and additional instructions. Please review all documents provided before beginning installation.



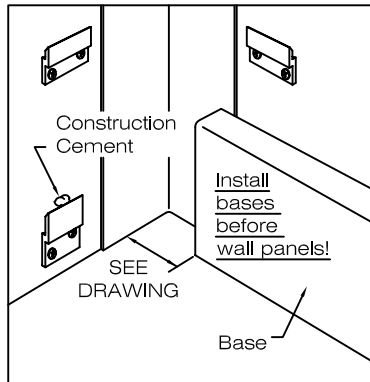
1 Use the provided template to install the wall clips. Refer to the drawings for panel locations. Rest the template on the finished floor.



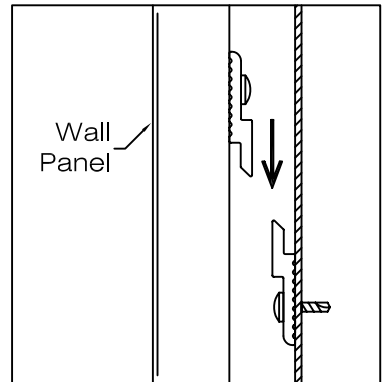
2 Attach the Reveals. Use the smaller strips for the front corners. Use the provided construction cement for the rear corners. (save some of the adhesive to secure the panels later)



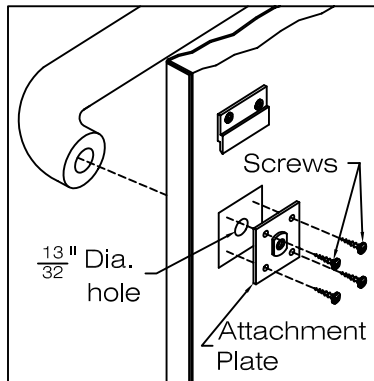
3 Attach the Base Clips to the cab wall with provided screws. Use the actual bases to determine the horizontal spacing of clips.



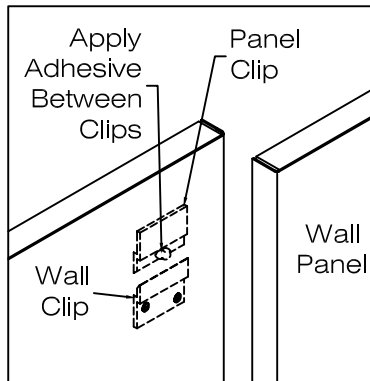
4 Put a small amount of construction cement on the base clips and attach the bases. CHECK THE DRAWING FOR PLACEMENT.



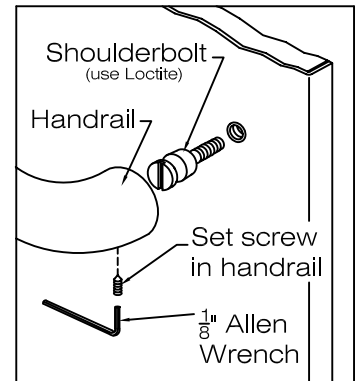
5 Remove the protective sheet on all the reveals. Lift the panels into place to check the alignment of the wall clips.



6 After panels are aligned, use the handrail to mark the center points for the handrail standoffs. Drill $\frac{13}{32}$ " holes and install corresponding Attachment Plates on the back of the panels.



7 Apply a small amount of construction adhesive to two or four clips on each panel. Replace the panels, checking the handrail center to center and reveal widths.



8 Install the Shoulderbolts into the panels using Loctite and tightening securely. Install the handrail over the Shoulderbolts.